



GENUINE PARTS

INSTALLATION INSTRUCTIONS

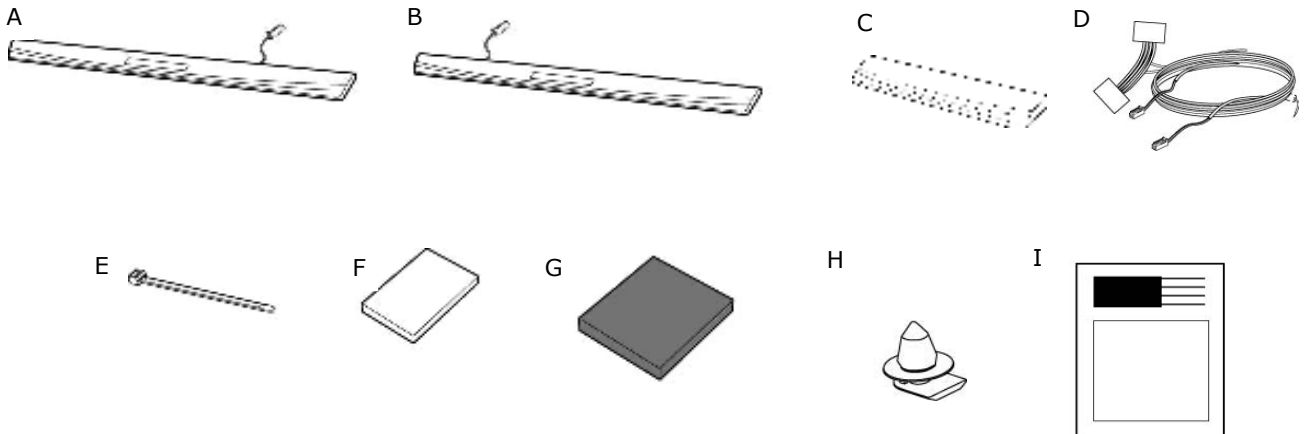
1. DESCRIPTION: Illuminated Kick Plate

2. APPLICATION: G SEDAN

3. PART NUMBER: G6950 JK600

4. KIT CONTENTS:

Item	QTY	Description
A	1	Kick Plate FRONT LH
B	1	Kick Plate FRONT RH
C	2	Kick Plate REAR
D	1	T-Harness
E	14	Tie Wrap
F	8	Urethane foam tape
G	9	Flat wire protector
H	8	Clip
I	1	Installation Instructions



5. TOOLS REQUIRED:

- Nylon Removal Tool
- Wire cutter
- 10mm Socket and driver
- 14mm socket and driver
- Fish tape
- Masking tape
- Flash light
- Scissors
- Soap and water
- 50/50 alcohol & water solution
- Soft non linting towel

INSTALLATION INSTRUCTIONS - ILLUMINATED KICK PLATE

6. PRE-INSTALLATION CAUTIONS/NOTES

⚠ CAUTION

- Dealer Installation Recommended. Instructions refer to Service Manual.
- Please read this instruction carefully before installing this product for correct installation.
- Please DO NOT use or install the part in ways other than what is described in this instruction manual.
- If problem occurs during installation, please contact Nissan dealer where you purchased the product.

- 1) Apply Parking Brake.
- 2) Make sure the shift lever is engaged in "P" or "N" position.
- 3) Record customer Radio Presets.

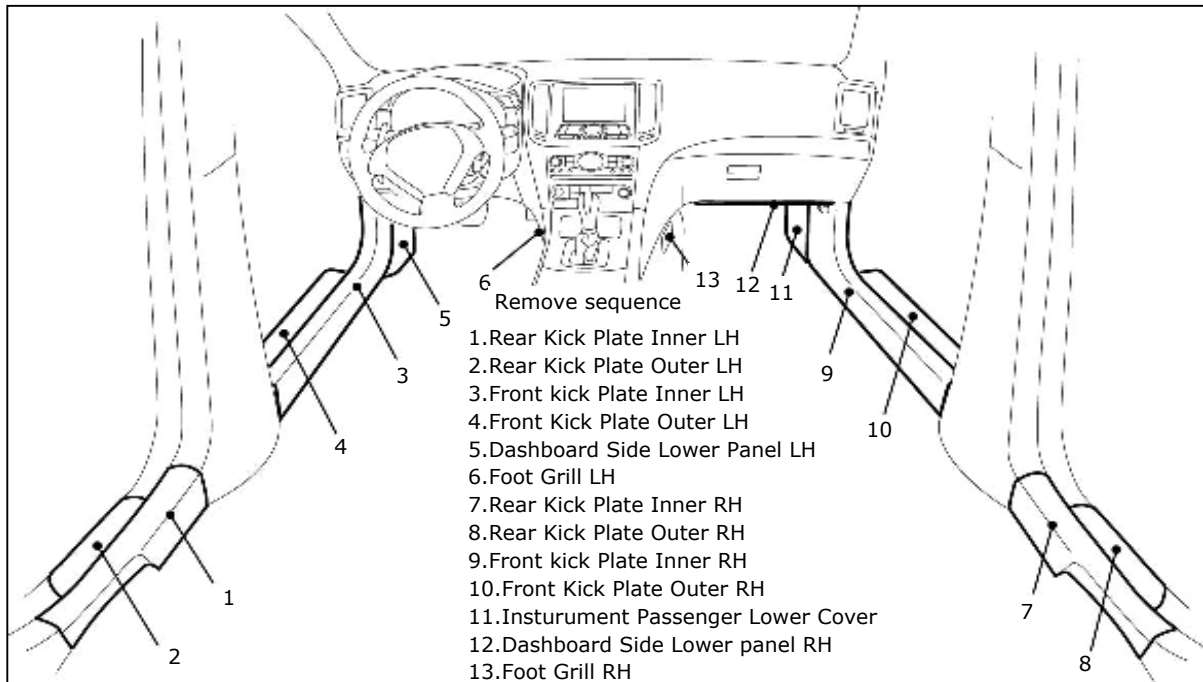
Preset	1	2	3	4	5	6
A						
B						
C						

- 4) Use seat and floor protection.
- 5) Open the hood of the vehicle.
- 6) Disconnect the negative battery terminal to prevent short circuits during installation.
- 7) This part is to be installed at a surface temperature of 65-100°F.
- 8) Do not wash the vehicle for 24 hours after installing to prevent the double-sided tape from peeling.

⚠ CAUTION

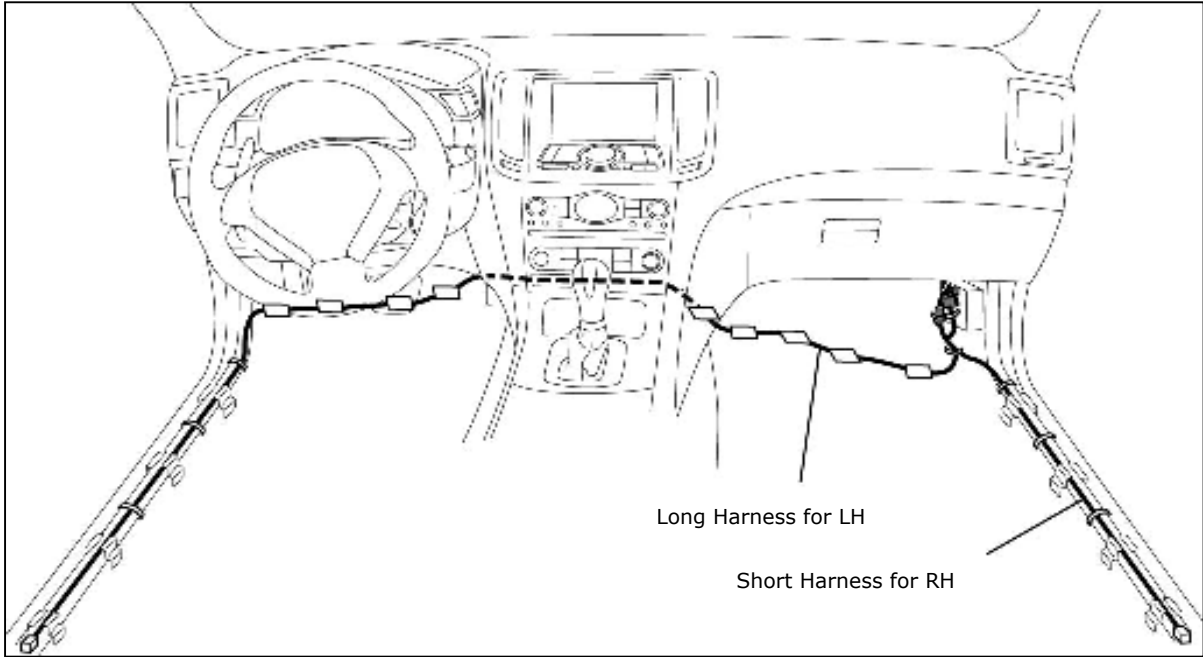
- Care must be taken not to scratch or damage any components during the removal or replacement process.

- 9) Remove the following interior trim parts in the sequence shown below.

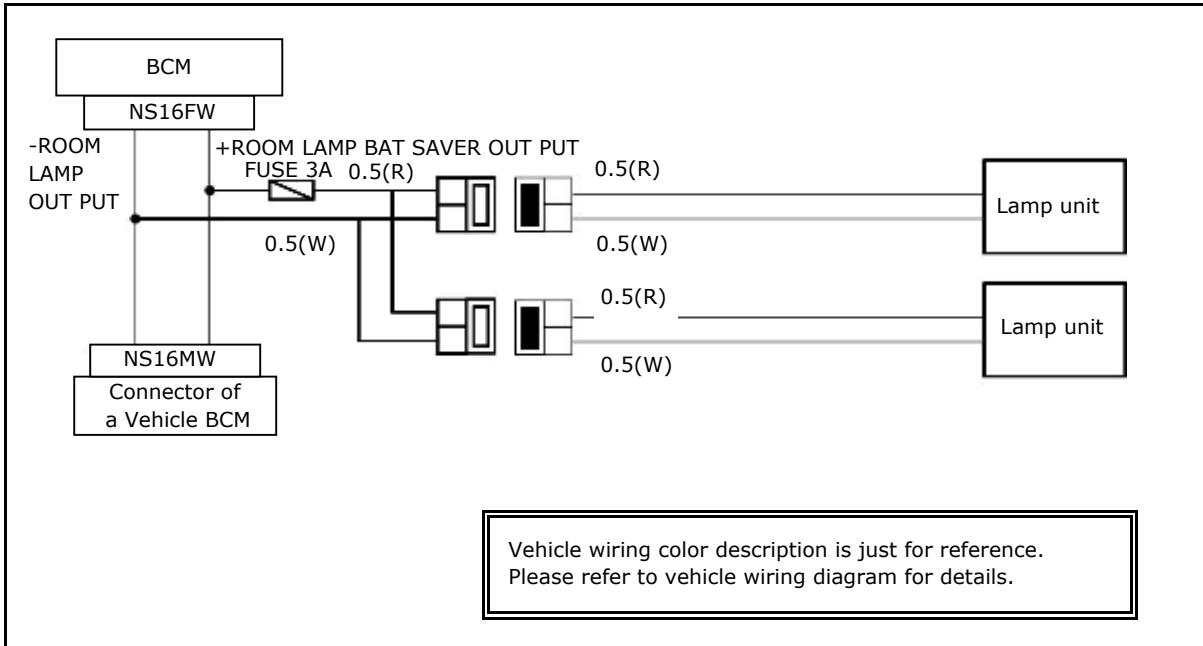


INSTALLATION INSTRUCTIONS - ILLUMINATED KICK PLATE

7. INSTALLATION OUTLINE

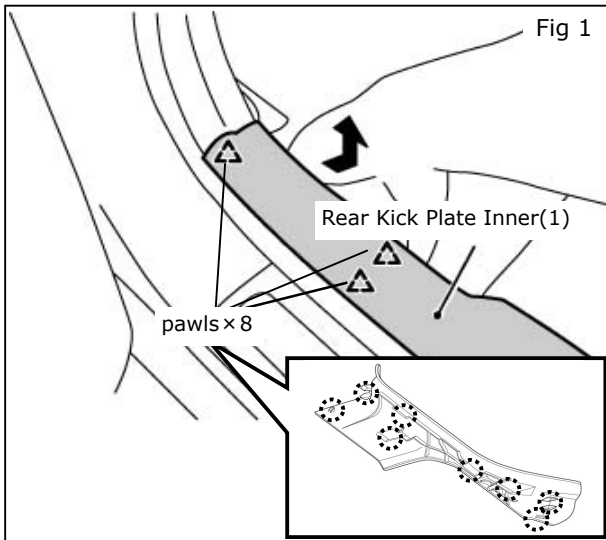


8. STANDARD CONNECTION METHOD

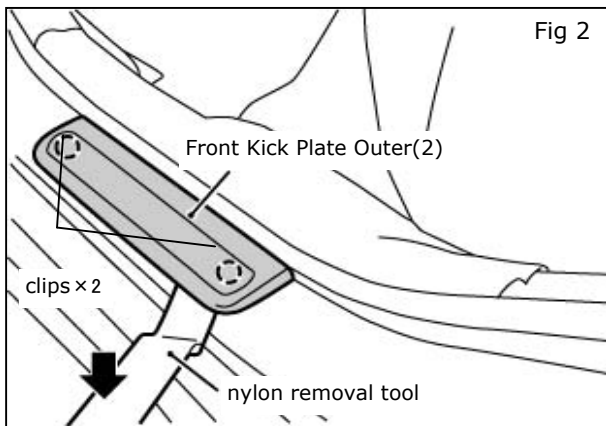


INSTALLATION INSTRUCTIONS - Illuminated Kick Plate

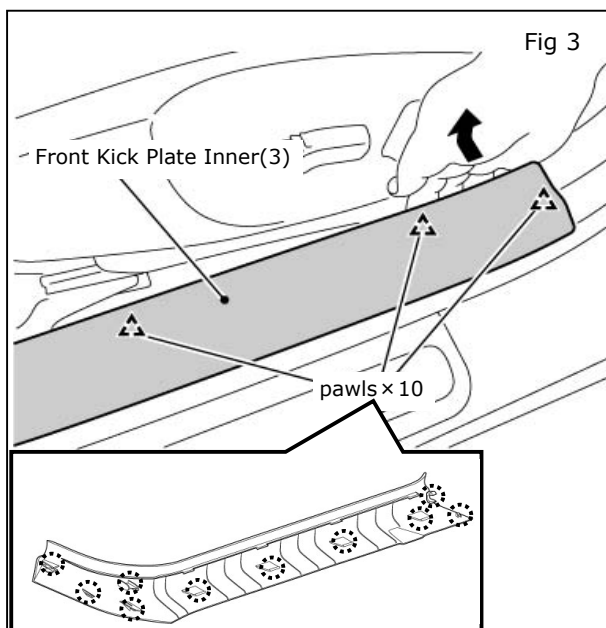
9. VEHICLE PARTS REMOVAL



- 1) Rear Kick Plate Inner LH removal
 - a) Pull up Rear kick plate inner, and disconnect pawls. Shown in Fig 1.
 - b) Remove Rear kick plate inner (1).



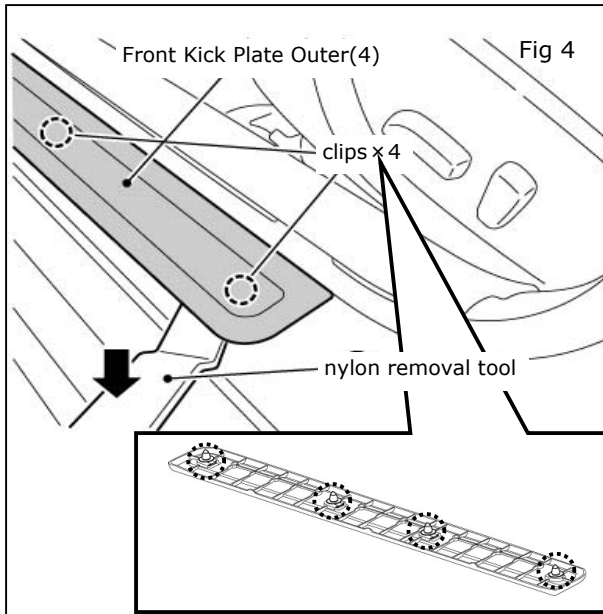
- 2) Rear Kick Plate Outer LH removal
 - a) Remove Rear kick plate outer mounting clips with nylon removal tool, then remove kick plate outer (2). Shown in Fig 2.



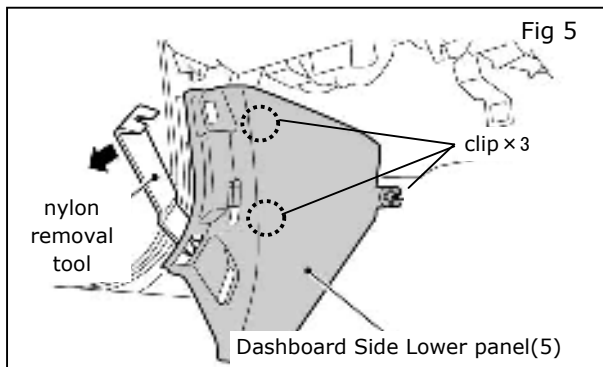
- 3) Front Kick Plate Inner LH removal
 - a) Pull up front kick plate inner, and disconnect pawls. Shown in Fig 3.
 - b) Remove front kick plate inner (3).

INSTALLATION INSTRUCTIONS - Illuminated Kick Plate

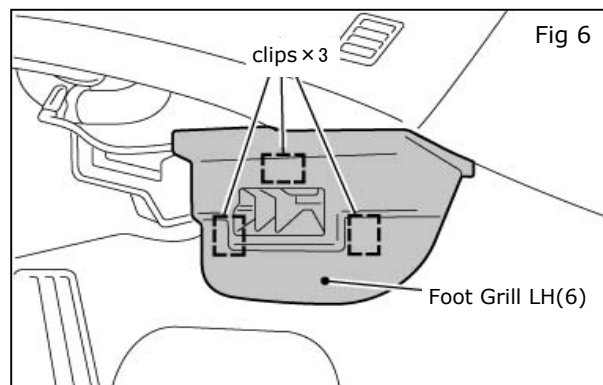
9. VEHICLE PARTS REMOVAL



- 4) Front Kick Plate Outer LH removal
 - a) Remove front kick plate outer mounting clips with nylon removal tool, then remove kick plate outer (4). Shown in Fig 4.



- 5) Dashboard Side Lower Panel LH removal
 - a) Remove clip.
 - b) Detach dash side finisher mounting clips with nylon removal tool, then remove Dashboard Side Lower panel (5). Shown in Fig 5.

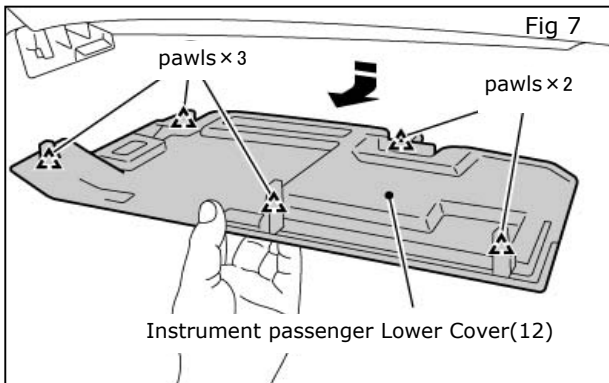


- 6) Foot Grill LH Removal
 - a) Detach mounting clips, and then remove Foot Grill LH (6). Shown in Fig 6.

- 7) REPEAT steps 1)-4) for RH side of vehicle

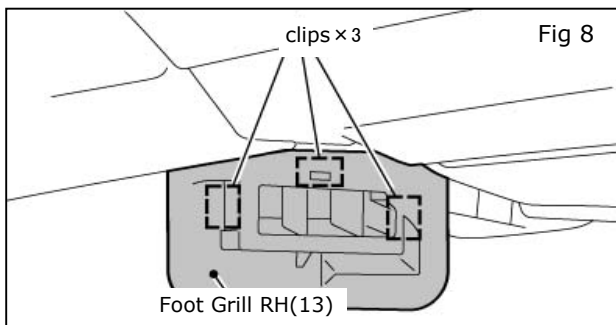
INSTALLATION INSTRUCTIONS - Illuminated Kick Plate

9. VEHICLE PARTS REMOVAL CONT'D



- 8) Instrument passenger Lower Cover removal
 - a) Pull downward, disengage pawls.
 - b) Pull back instrument passenger lower cover (12). Shown in Fig 7.

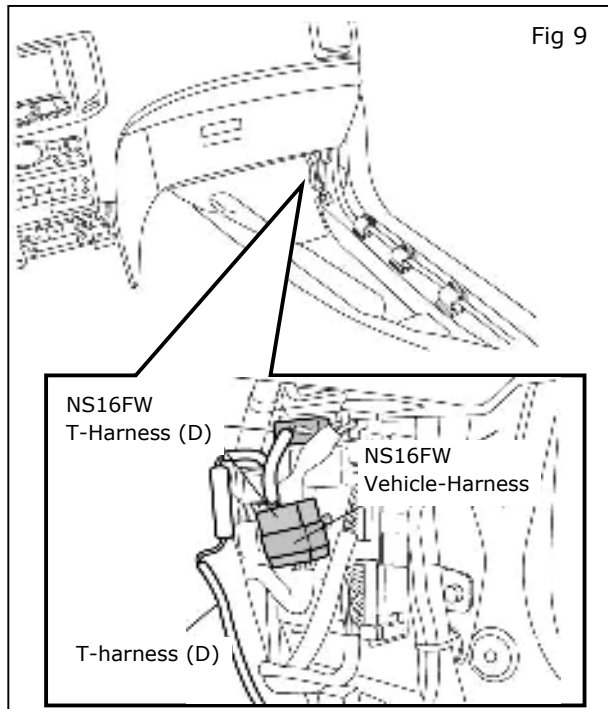
- 9) REPEAT steps 5) for RH side of vehicle



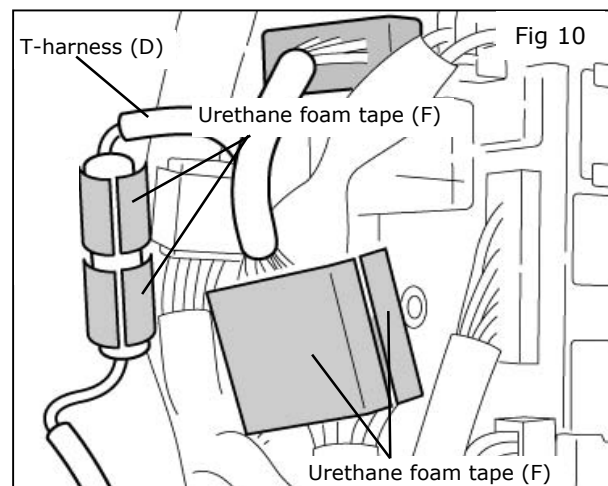
- 10) Foot Grill RH Removal
 - a) Detach mounting clips, and then remove Foot Grill RH (13). Shown in Fig 8.

INSTALLATION INSTRUCTIONS - Illuminated Kick Plate

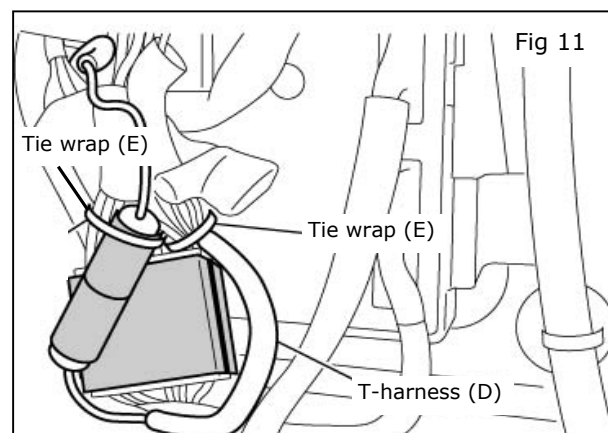
10. WIRING HARNESS INSTALLATION



- 1) Disconnect connector (NS16FW) from the BCM.
- 2) Connect (NS16FW) from T-harness (D) to the BCM shown in Fig 9.
- 3) Connect the connector(NS16FW) which was disconnected from the BCM to the T-harness (D) shown in Fig 9.



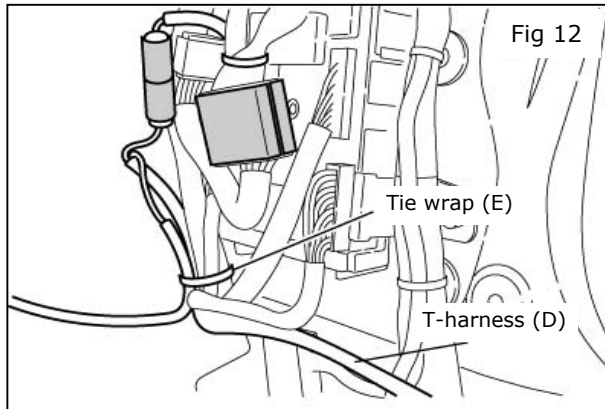
- 4) Wrap the connected connector with two pieces of Urethane foam tape (F). Shown Fig 10.
- 5) Wrap the fuse of T-harness (D) with two pieces of Urethane foam tape (F). Shown Fig 10.



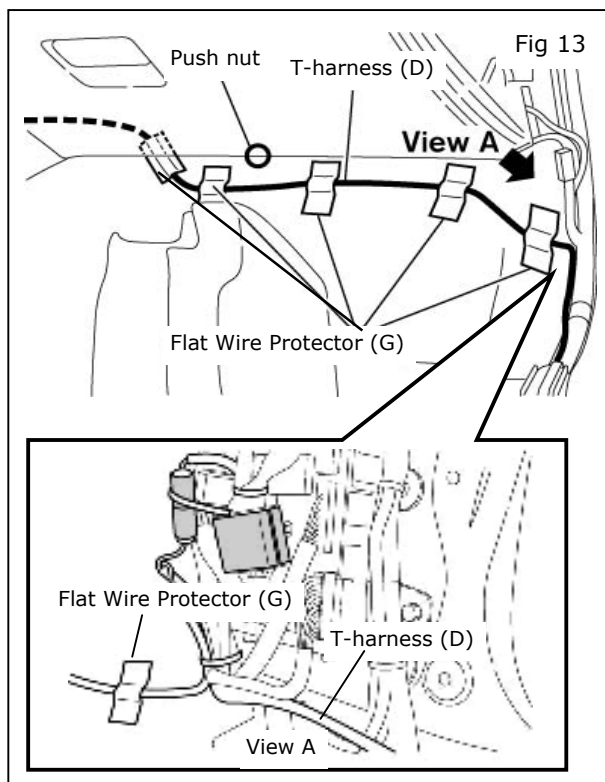
- 6) Attach the fuse of T-harness (D) at the position shown in Fig 11, using the tie wrap (E). (1place)
- 7) Attach the connected connector to the T-harness (D) at the position shown in Fig 11, using the tie wrap (E).(1place)

INSTALLATION INSTRUCTIONS - Illuminated Kick Plate

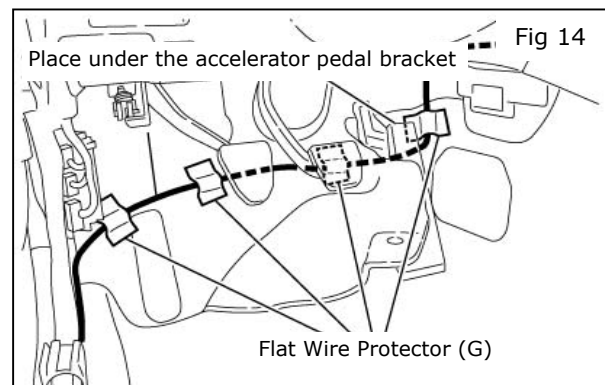
10. WIRING HARNESS INSTALLATION CONT'D



- 8) Attach the T-harness (D) at the position shown in Fig 12, using the tie wrap (E). (1piece)



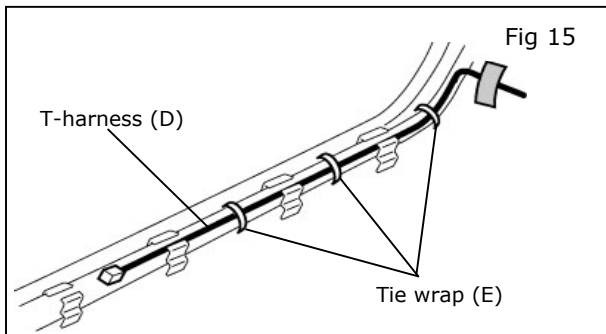
- 9) Remove one push nut from front passenger side carpet. Shown in Fig 13.
- 10) Flip the carpet of passenger side.
- 11) Route fish tape behind center console from driver's side harness to passenger side.
- 12) Pull harness with fish tape behind center console.
- 13) Put a flat wire protector (G) near a tie wrap (E) of view A without pulling harness. (1place)
- 14) Attach passenger side harness using the flat wire wire protector (G) shown in Fig 13. (4places)



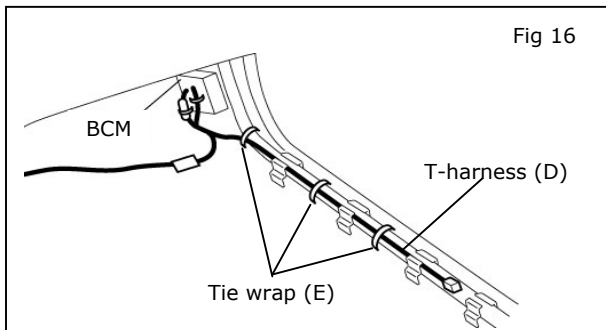
- 15) Flip the carpet of the driver's side, route harness under accelerator pedal bracket, and attach harness to floor using flat wire protector (G) shown in Fig 14. (4places)

INSTALLATION INSTRUCTIONS - Illuminated Kick Plate

10. WIRING HARNESS INSTALLATION CONT'D



- 16) Route harness through existing vehicle harness protector and Tie Wrap (E) the harness at the position shown in Fig 15. (3 places)



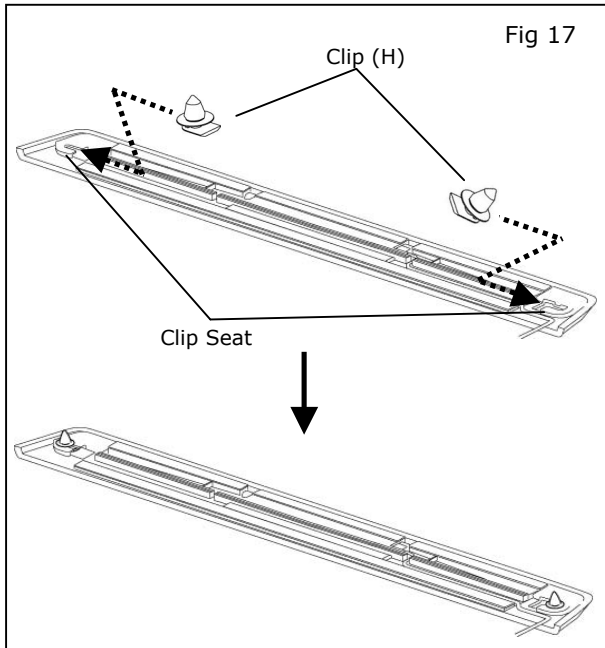
- 17) Route harness through existing vehicle harness protector and fix the harness at the position shown in Fig 16, using the tie wrap (E). (3places)

- 18) Function check
- Connect T-harness to kick plate lamp unit harness.
 - Connect battery.
 - Check function. Confirm "INFINITI" text illuminates when either door is open.
 - If OK, disconnect T-harness from kick plate harness.
 - If NG, check harness routine, connections and lamp unit to identify root cause and fix it. Repeat steps a) to c) until it is OK.
 - Disconnect battery.

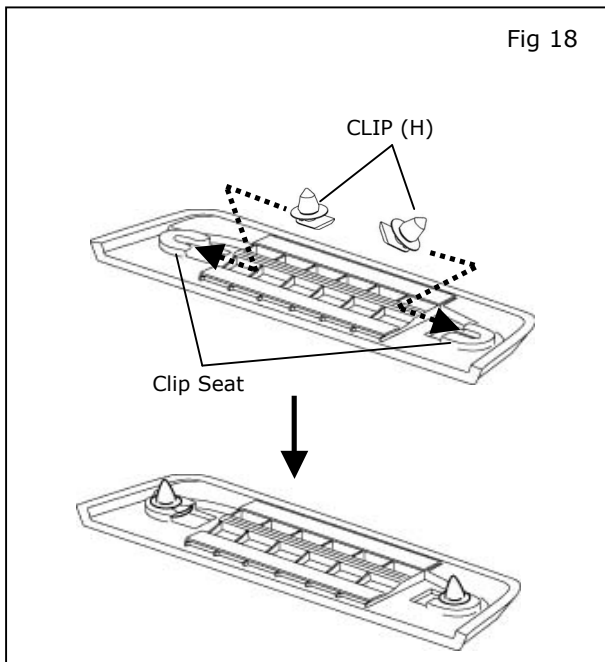
INSTALLATION INSTRUCTIONS - Illuminated Kick Plate

11. CLIP TO A KICK PLATE INSTALLATION

The procedure below shows the installation for LH side.
Repeat procedure for RH side.



- 1) Clip (H) slide to the back side Clip Seat of the kick plate(A) shown in Fig 17.

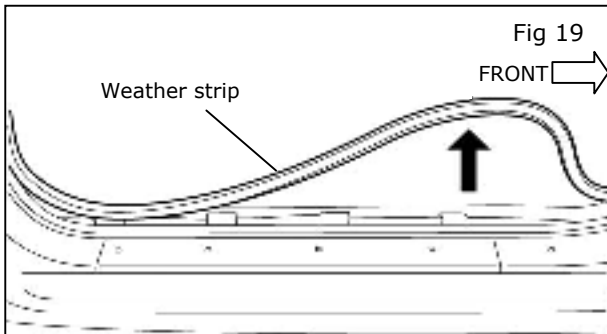


- 2) CLIP(H) slide to the back side clip seat of the kick plate(C) shown in Fig 18.

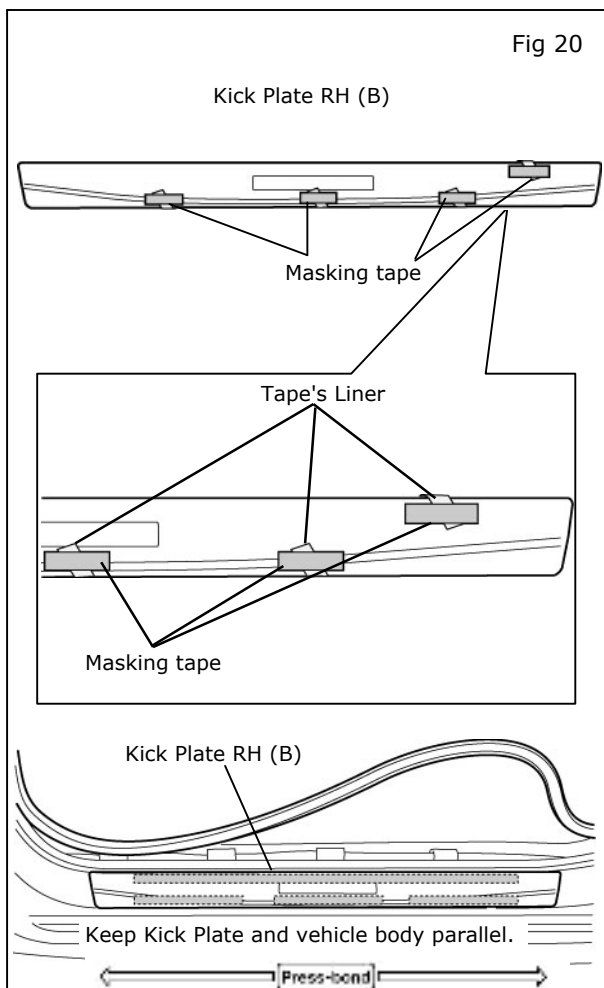
INSTALLATION INSTRUCTIONS - Illuminated Kick Plate

12. FRONT KICK PLATE INSTALLATION

The procedure below shows the installation for RH side.
Repeat procedure for LH side.



- 1) Remove the vehicle weather strip near the kick plate (B) attachment location shown in Fig 19.
- 2) Clean the attachment area of kick plate (B) with soapy water.
- 3) Dry area with soft non linting towel.
- 4) Clean area with 50/50 alcohol & water solution and let dry for 30 seconds.



- 5) Pull the double-sided tape liner pull tab to partially remove liner. Using masking tape, hold the liner to the visible side of the kick plate (B) surface as shown in Fig 20.
- 6) Align clips on part to first and fourth hole on vehicle from front side.
- 7) Set part on vehicle, being careful to keep the outside edge of the part parallel to the rocker panel.
- 8) Gradually remove the tape liner at the back of the kick plate (B) starting from the front, apply minimum 11lb(49N) of pressure along the part to attach tape to body shown in Fig 20.

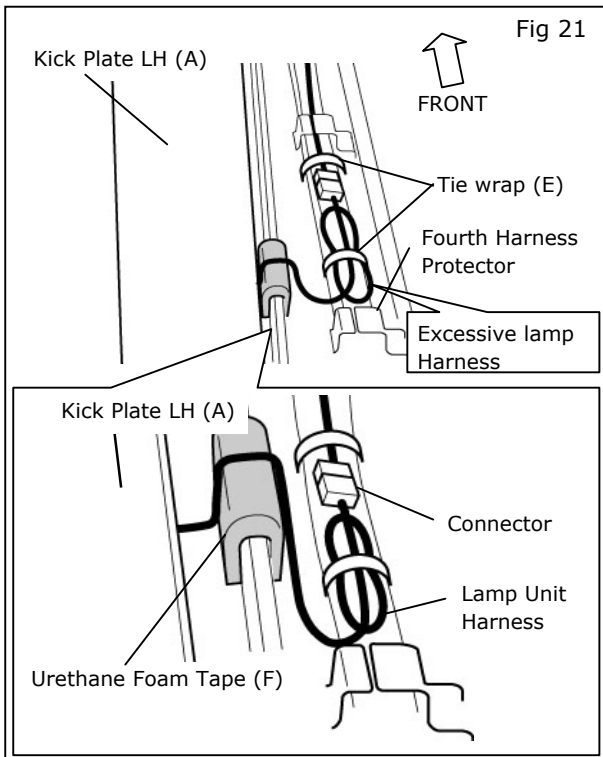
CAUTION

- Use caution when applying pressure as the surface may dent.
- During installation, be careful not to allow the harness to get stuck between the vehicle and the kick plate.
- Harness should be routed through the notched area of the kick plate.

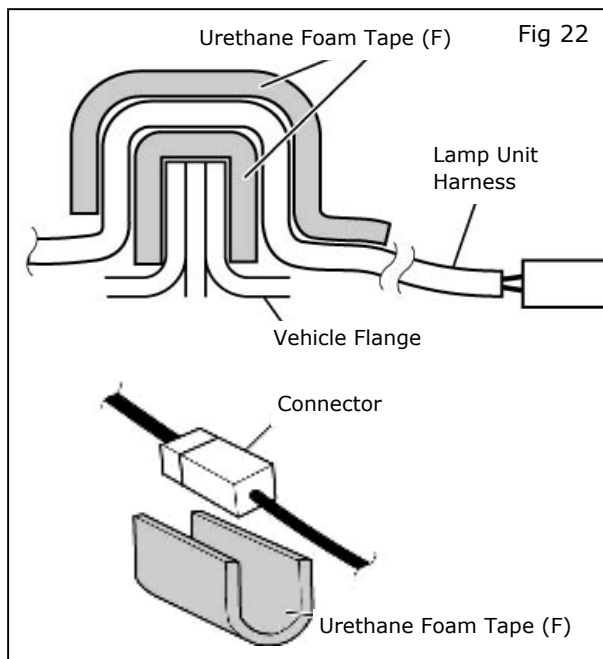
INSTALLATION INSTRUCTIONS - Illuminated Kick Plate

13. HARNESS CONNECTION INSTALLATION

The procedure below shows the installation for RH side. Repeat procedure for LH side.



- 1) Fold one piece urethane foam tape (F) and cut into two equal pieces.
- 2) Clean both sides of the attachment area for the urethane foam tape (F) with the 50/50 alcohol & water solution. Let dry for 30 seconds. Shown in Fig 21.



- 3) Attach the cut piece of urethane foam tape (F) to vehicle flange shown in Fig 22.
- 4) Place the lamp harness on top of the urethane foam tape (F), then apply second half of the urethane foam tape (F) on top of the harness.
- 5) Connect the connectors and apply the urethane foam tape (F) on the connecting section shown in Fig 22.
- 6) Attach excessive lamp harness to the vehicle harness with a tie wrap (E) shown in Fig 21.
- 7) Cut excessive tie wrap.

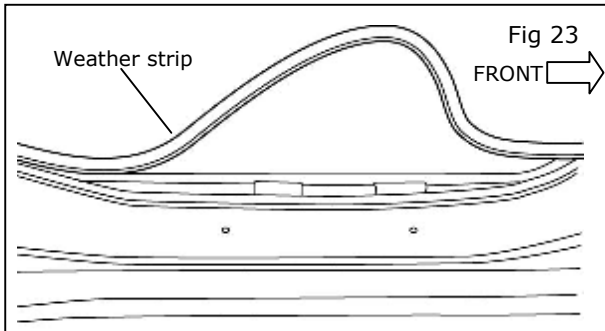
⚠ CAUTION

- Do not attach the harness to sharp metal edge.

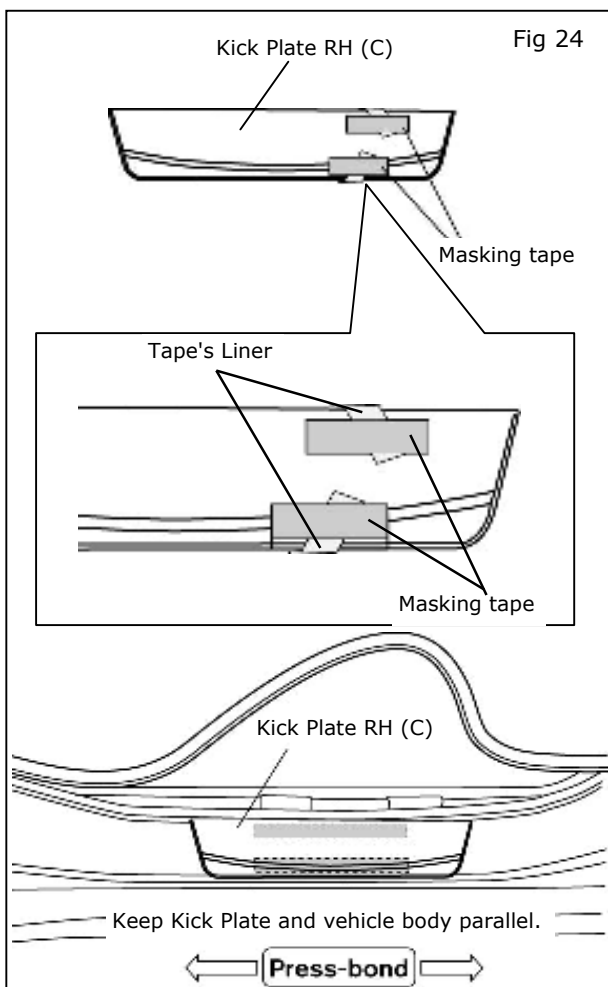
INSTALLATION INSTRUCTIONS - Illuminated Kick Plate

14. REAR KICK PLATE INSTALLATION

The procedure below shows the installation for RH side.
Repeat procedure for LH side.



- 1) Remove the vehicle weather strip near the kick plate (C) attachment location shown in Fig 23.
- 2) Clean the attachment area of kick plate (C) with soapy water.
- 3) Dry area with soft non linting towel.
- 4) Clean area with 50/50 alcohol & water solution and let dry for 30 seconds.



- 5) Pull the double-sided tape liner pull tab to partially remove liner. Using masking tape, hold the liner to the visible side of the kick plate (C) surface as shown in Fig 24.
- 6) Align clips on part to hole on vehicle from front side.
- 7) Set part on vehicle, being careful to keep the outside edge of the part parallel to the rocker panel.
- 9) Gradually remove the tape liner at the back of the kick plate (C) starting from the front, apply minimum 11lb(49N) of pressure along the part to attach tape to body shown in Fig 24.

⚠ CAUTION

- Use caution when applying pressure as the surface may dent.

INSTALLATION INSTRUCTIONS - Illuminated Kick Plate

15. CHECK AFTER INSTALLATION

1) Please check that the installation has no problem.

- a) confirm connection of connector
- b) confirm whether wire harness is fixed.

16. FUNCTION CHECK

- 1) Re-connect battery negative terminal.
- 2) Confirm "INFINITI" text is illuminated when either door is in the opened position.

17. REINSTALLATION OF REMOVED PARTS

- 1) All removed vehicle parts have been reinstalled.

CAUTION

- Use caution when re-installing interior components to avoid damage, scratch, or breaking of mounting clips.

- 2) Clean interior of vehicle.

18. VEHICLE CHECK

- 1) Remove all tools from the vehicle.
- 2) Inspect reinstalled interior trim parts for proper panel fit.
- 3) Reset radio presets to the recorded setting.
- 4) Turn ignition to ON position.
- 5) Confirm proper radio operation.
- 6) Initialize sun roof, and power window operation.
- 7) Confirm proper operation of the rear window washer fluid.
- 8) Turn ignition to off position.

CAUTION

- During restoring, please use caution so as not to cause the stacking of the vehicle's harness, or damage any other parts.