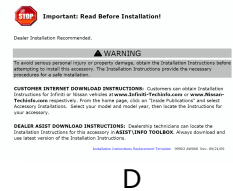
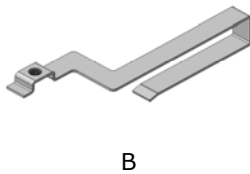
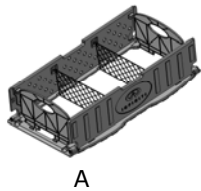


# INSTALLATION INSTRUCTIONS

1. **DESCRIPTION:** Cargo Organizer
2. **APPLICATION:** FX45; Application with Cargo Tray (as is)
3. **PART NUMBER:** FX45: 999C2 EV001BK, 999C2 EV000BE

4. **KIT CONTENTS:**

Item	QTY	Description	Service Kit #'s
A	1	Cargo Organizer	
	1	Hardware Kit	
B	2	Attachment Brackets	
C	2	Attachment Fasteners	
D	1	<a href="#">I/I Replacement Template</a>	



5. **TOOLS REQUIRED:**  
No Tools Required

6. **PRE-INSTALLATION CAUTIONS/NOTES:**
  - To maintain the luster of your organizer, clean with a cloth as required using standard automotive vinyl, leather and upholstery cleaners or soap and water.
  - If the vehicle is equipped with a rear cargo cover, make sure the Cargo Organizer is in the closed position when using the Tonneau Cover.

## ⚠ WARNING

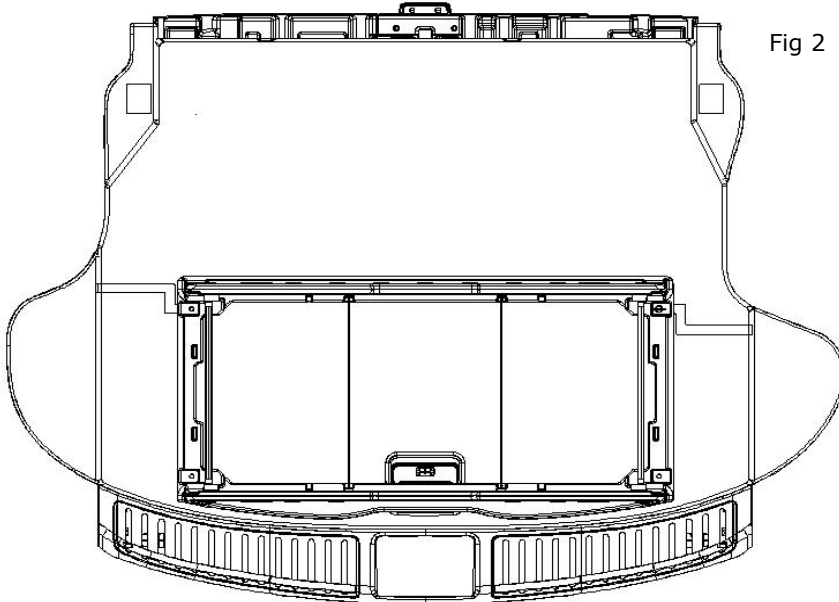
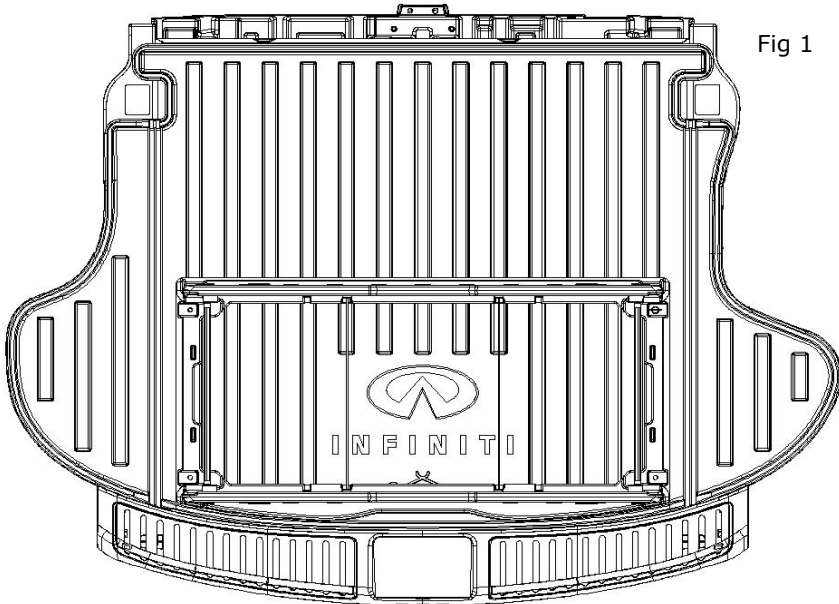
- Your Cargo Organizer is designed to transport normal cargo contents. Flammable or dangerous materials should not be transported in your vehicle at any time. If any corrosive chemicals are spilled on your organizer it should be cleaned as described above.
- When using this organizer, avoid sudden starts/stops or sharp turns as this may cause contents to come out of the organizer.

## ⚠ CAUTION

- Ensure attachment brackets are securely fastened to the load floor and organizer
- Do not exceed the recommended load of 20 lbs in the organizer.
- If not being used, the dividers should be in the closed position.
- Remove brackets from the load floor when organizer is not in place.
- DEALER - Provide these installation instructions to the customer as reference for proper operation and care of this unit

# INSTALLATION INSTRUCTIONS - Cargo Organizer

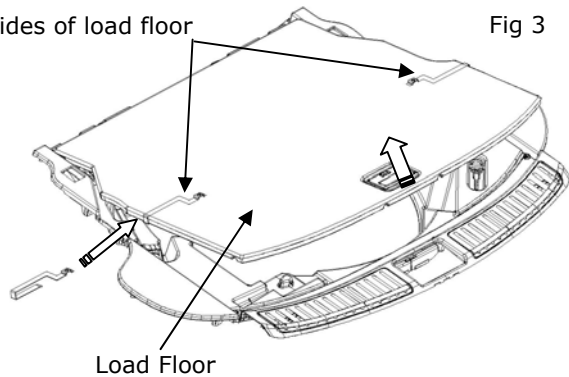
## 7. INSTALLATION OVERVIEW:



## INSTALLATION INSTRUCTIONS - Cargo Organizer

### 8. INSTALLATION PROCEDURE:

Slide Attachment Brackets around sides of load floor

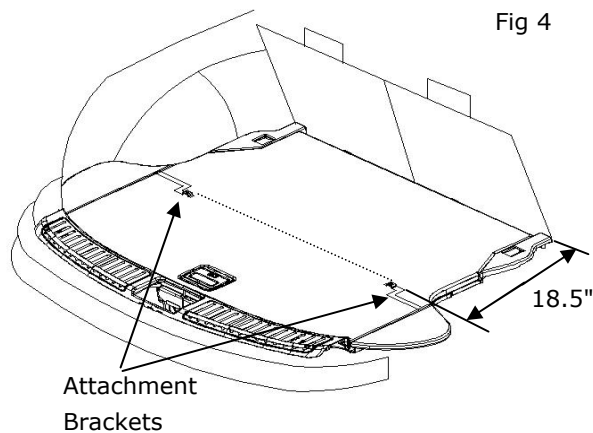


#### 1) Installing the Attachment Brackets

a) Lift up the vehicle load floor high enough so that the brackets can be slid onto both sides of the load floor (see Fig 3)

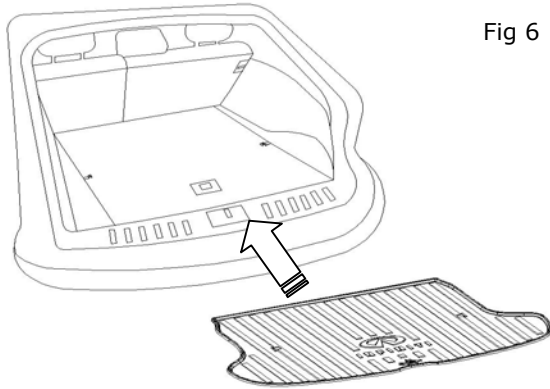
b) Position the edge of the brackets 18.5" from the forward edge of the load floor on both sides.

c) Once the brackets have been attached to the Load floor, place the load floor back to the normal vehicle position.

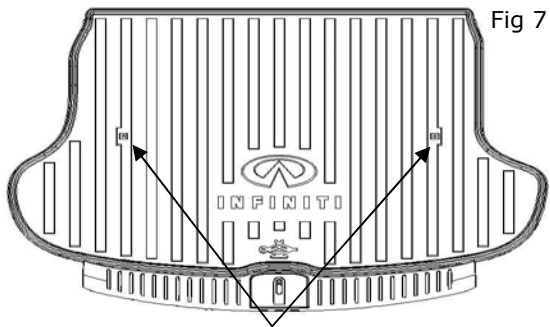


## INSTALLATION INSTRUCTIONS - Cargo Organizer

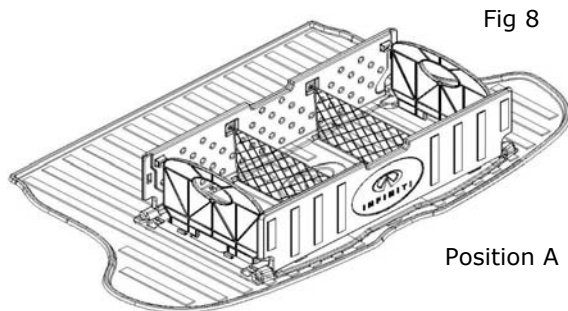
### 8. INSTALLATION PROCEDURE:



- d) Place the cargo tray in the vehicle. Ensure the Attachment Brackets are accessible from above the cargo tray (see Fig 6 & 7).



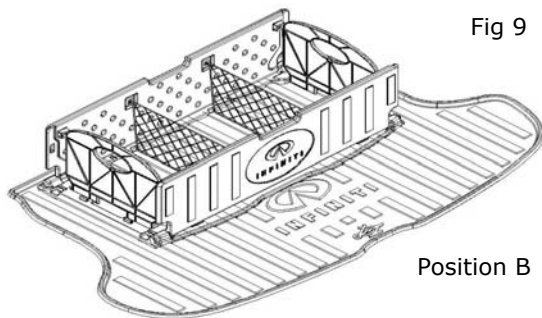
Brackets attached to load floor coming out through the Cargo Tray



Position A

#### 2) Aligning the Cargo Organizer with the Brackets

- a) With the Cargo Tray, there are (2) positions in which the Cargo Organizer can be installed (see Fig 8 & 9).

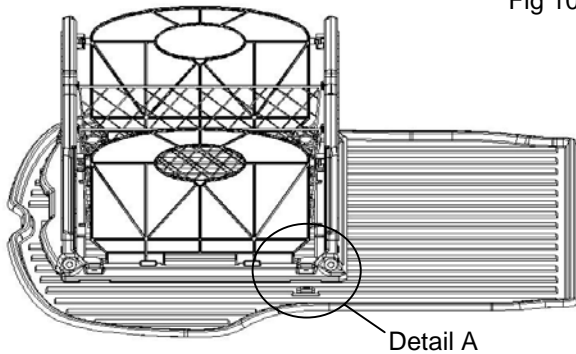


Position B

## INSTALLATION INSTRUCTIONS - Cargo Organizer

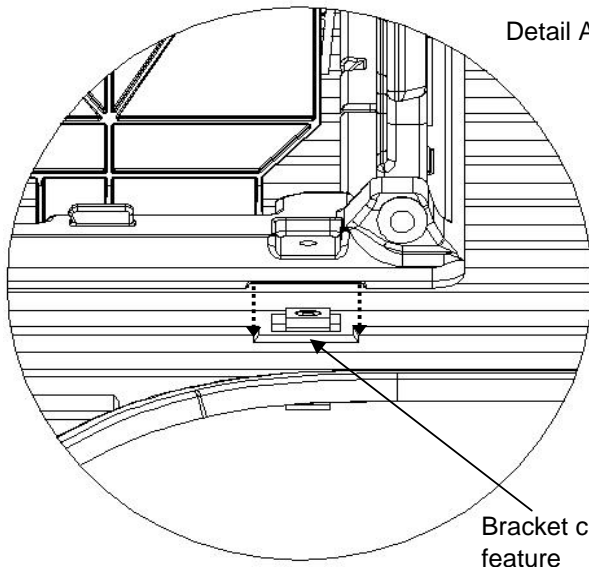
### 8. INSTALLATION PROCEDURE:

Fig 10



- b) Choose either Position A or B (Position A shown in Fig 10) and place the Cargo Organizer over the Attachment Brackets.

Detail A

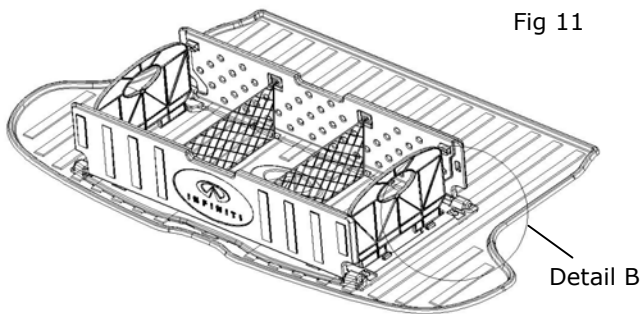


- c) The Cargo Tray will help to align the Cargo Organizer over the brackets. Ensure that the bracket cut-out feature seats snug to the underside of the Cargo Organizer.

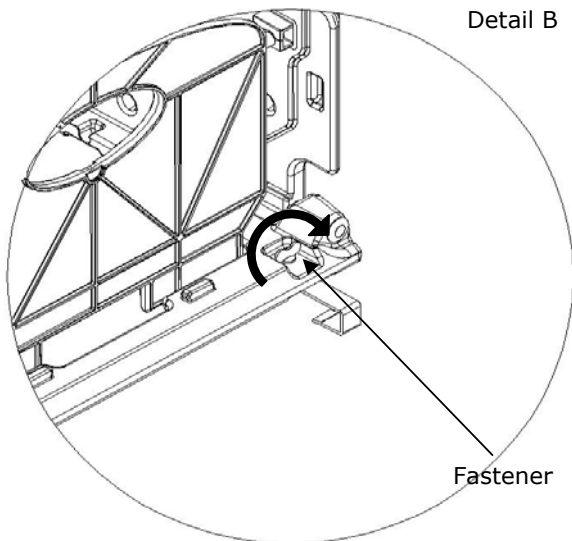
## INSTALLATION INSTRUCTIONS - Cargo Organizer

### 8. INSTALLATION PROCEDURE:

#### 3) Fastening the Organizer to the Attachment Brackets



- a) Starting with the passenger side, insert and turn the fastener clockwise until the fastener engages with the bracket. Next, insert the fastener into the driver side and turn it until it engages with the second bracket.



- b) Once the fasteners on both sides are engaged with the brackets begin to tighten each side down evenly until the organizer is securely fastened.
- c) To remove, simply turn the fasteners counterclockwise and remove the Cargo Organizer.

#### **NOTE:**

**Always check to make sure the fasteners are holding the Cargo Organizer firmly to the Load Floor.**