



# GENUINE PARTS

## INSTALLATION INSTRUCTIONS

|                     |                                  |
|---------------------|----------------------------------|
| <b>DESCRIPTION:</b> | Roof Side Rail Kit               |
| <b>APPLICATION:</b> | QX60                             |
| <b>PART NUMBER:</b> | Roof Side Rail Kit (999R1 RZ1XX) |

**KIT CONTENTS:**

| Item | Qty. | Part Description                              | Service Part Number |
|------|------|---|---------------------|
| A    | 1    | Side Rail Assembly - RH                       | 73852 3JAxx         |
| B    | 1    | Side Rail Assembly - LH                       | 73853 3JAxx         |
| C    | 2    | Cross Rail Mounting Block - RH                | 738A0 3JA0A         |
| D    | 2    | Cross Rail Mounting Block - LH                | 738A1 3JA0A         |
| E    | 8    | M8 Bolt                                       | 292N0 3JA0C         |
| F    | 1    | Installation Instruction Replacement Template | 999V2 AW000         |



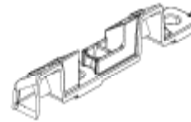
A



B



C



D



E



F

**TOOLS REQUIRED:**

- Plastic Trim Stick (or suitable tool)
- Clip Removal Tool
- Bent Tipped Needle Nose Pliers
- Snips
- Socket Wrench



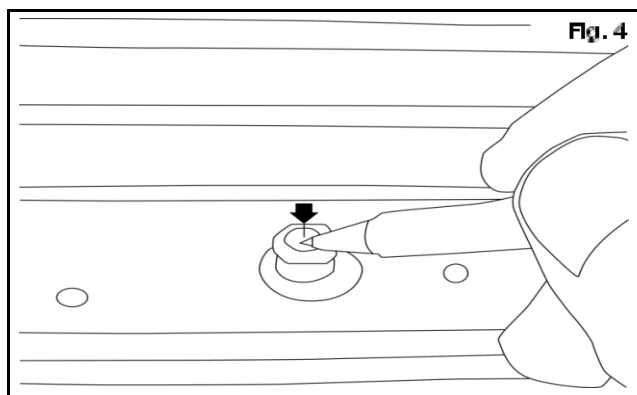
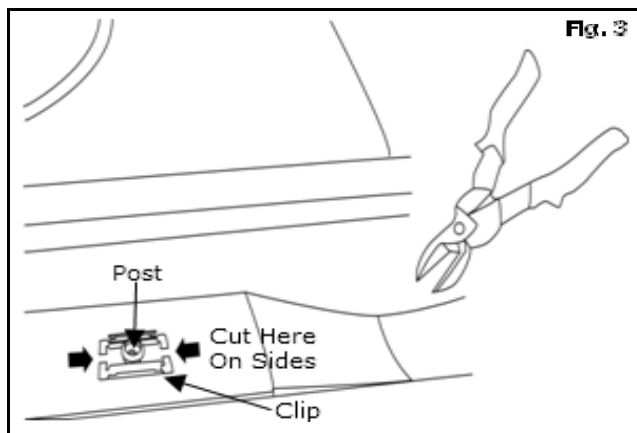
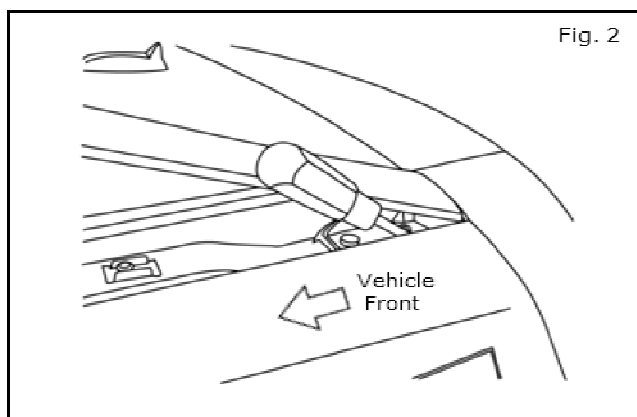
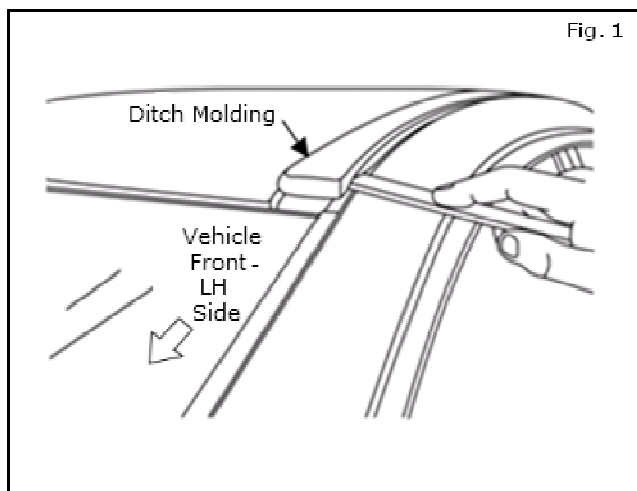
- Torque Wrench
- Tape
- Safety Glasses
- 12mm (1/2") Socket for Roof Bolts
- 13mm (17/32") Socket for Block Bolts



**PRE-INSTALLATION WARNINGS, CAUTIONS, CRITICAL STEPS, and NOTES:**

- Dealer installation recommended. Instructions may refer to Service Manual.
- Instructions show LH side installation. Repeat for RH side.

## INSTALLATION PROCEDURE:



## ⚠ CAUTION

- Perform all steps with hatch door closed.

### NOTE:

All illustrations show left hand (LH) side of vehicle. LH and RH are based on standing at rear of vehicle looking toward the front.

- 1) Remove LH roof ditch molding as follows:
  - a) Starting at front of LH roof ditch molding, insert plastic trim stick (or taped suitable tool) to release ditch molding.
  - b) Work rearward to release remaining clips except for last clip at rear end.

## ⚠ CAUTION

- Prior to using clip removal tool, apply tape to the contact portion of the tool to avoid damage to the vehicle.

- 2) Release last clip at rear of the roof ditch molding using clip removal tool and discard roof ditch molding.

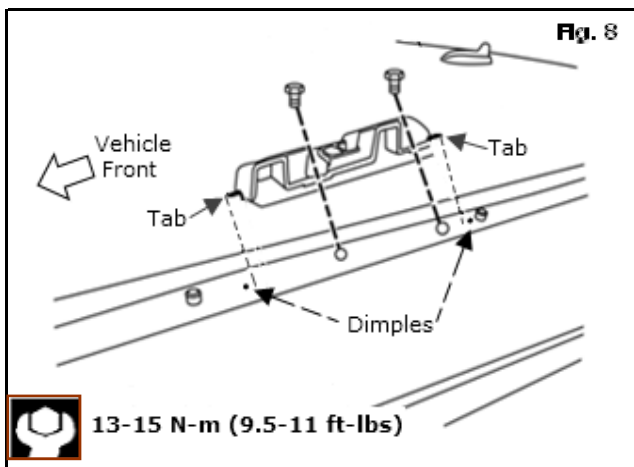
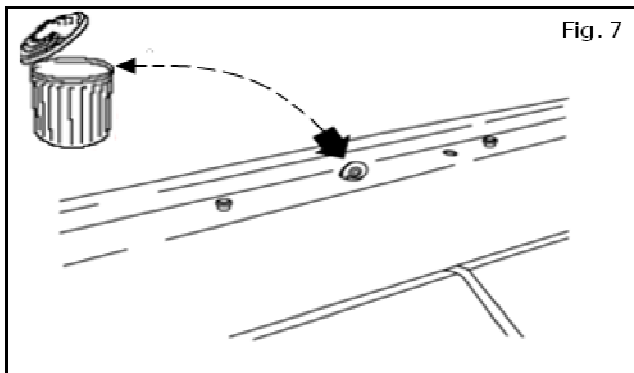
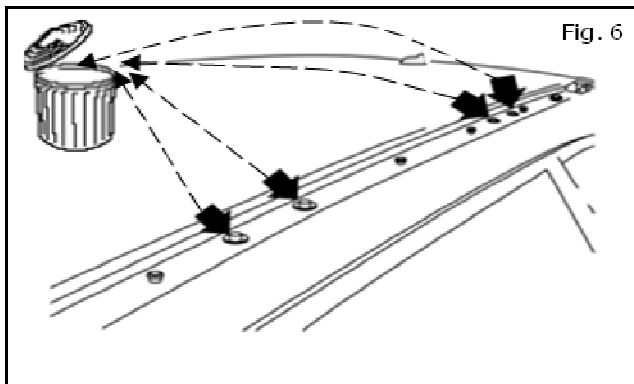
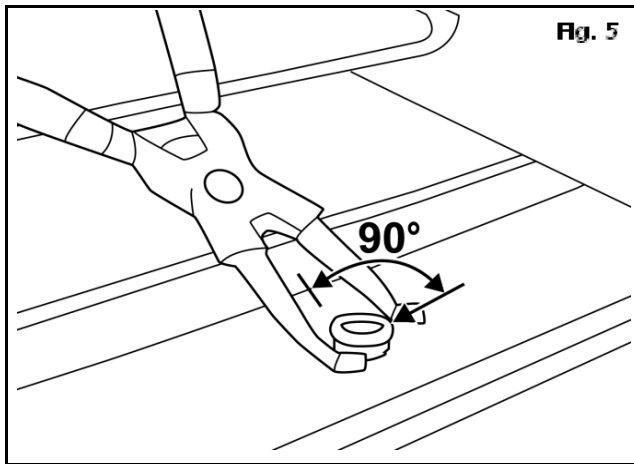
## ⚠ CAUTION

- Do NOT pry metal clips from posts. This could damage the posts and may result in improper installation.
- DO NOT attempt to remove posts from roof.

- 3) Using snips, cut each clip remaining on a post in half where shown by arrows and discard pieces.

- 4) Mark each post with a pen or marker in the location shown.

## INSTALLATION PROCEDURE:



## ⚠ CAUTION

- Prior to using pliers, apply tape to contact portion of tool to avoid causing damage to the paint. Apply touchup paint to any scratches or imperfections, if necessary.
- Grasp post at base and use care to not damage the lip of the posts.

- 5) Rotate each post 90 degrees with bent nose needle nose pliers so they line up with the arrow shown in Figure 5.

## ⚠ CAUTION

- Discard the bolts being removed. They **MUST NOT** be used during the installation process of the side rail. They are too short to safely secure the side rail.
- Remove any water or condensation that may exist around the four bolts.

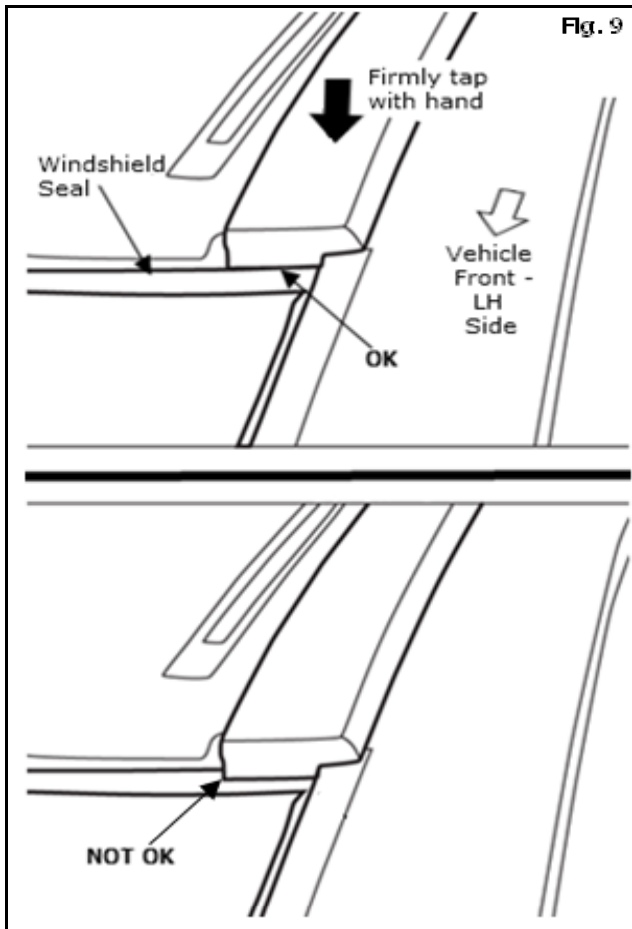
- 6) Remove and discard four bolts located beneath ditch molding using 12mm (1/2") socket.
- 7) Remove and discard any seals that remain after bolts are removed.

## ⚠ CAUTION

- Make sure mounting block tabs are lined up with dimples when installed per Figure 8. If blocks are not lined up with dimples, cross bars may be uninstallable.
- Mounting blocks must be installed on correct side of vehicle. Blocks are marked LH or RH. LH and RH are based on standing at rear of vehicle looking toward the front.

- 8) Install mounting blocks marked LH on LH side of vehicle as follows:
  - a) Line up tabs on mounting block with the dimples on roof. Center block between dimples.
  - b) Secure mounting block with two bolts (E) using 13mm (17/32") socket. Torque to 13-15 N-m (9.5-11 ft-lbs).
  - c) Confirm tab alignment to dimples. Confirm that block is centered between dimples. If necessary, loosen bolt slightly and repeat steps a and b above.

## INSTALLATION PROCEDURE:



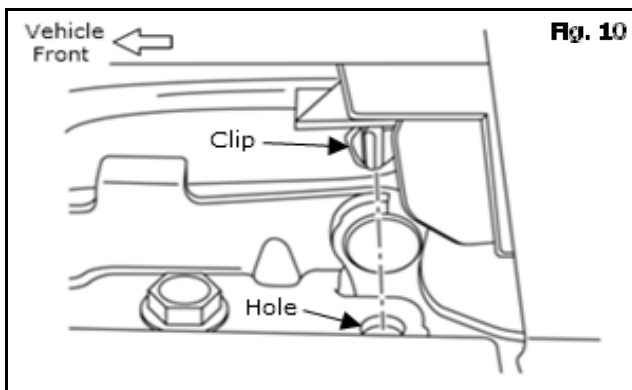
## CAUTION

- Before proceeding, select proper side rail part for correct side of vehicle. Side rails are marked "L/H" or "R/H". LH and RH are based on standing at rear of vehicle looking toward the front.
- When installing the front portion of the side rail, use a trim stick to ensure side rail is properly tucked under the windshield seal per Figure 9.
- Before proceeding, make sure lift gate is closed to prevent damage to parts or vehicle.

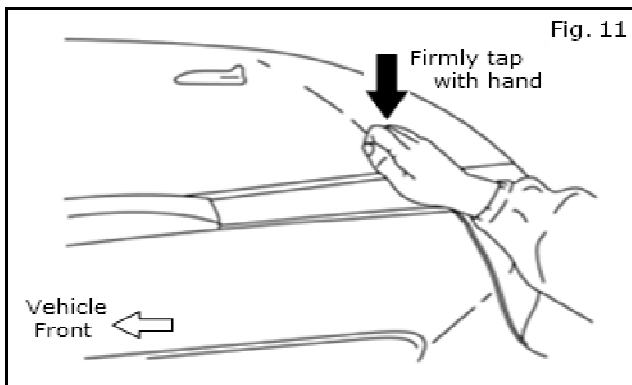
- 9) Start at the front, LH side of vehicle, install front clip as follows:
- a) Slip front edge of side rail under windshield seal, see Figure 9.
  - b) Secure first clip by tapping firmly by hand on side rail several times, see Figure 9.

### NOTE:

- DO NOT install other clips at this time.
- See next step to install the clip at the rear of the vehicle.

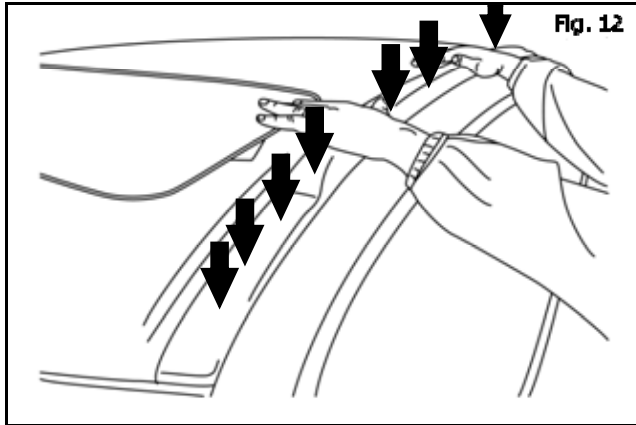


- 10) Install rear clip by lining up rear clip with locating hole on roof, see Figure 10. End cap is adjustable to help line up clip.



- 11) Secure rear clip by tapping firmly by hand on side rail several times, see Figure 11.

## INSTALLATION PROCEDURE:



- 12) Tap firmly on the side rail to lock each of the remaining seven clips into place on the remaining seven posts located on the roof.
  
- 13) Firmly grasp side rail at several points along the rail and check that all points tested are securely fastened.
  
- 14) Repeat procedure for RH side rail.