



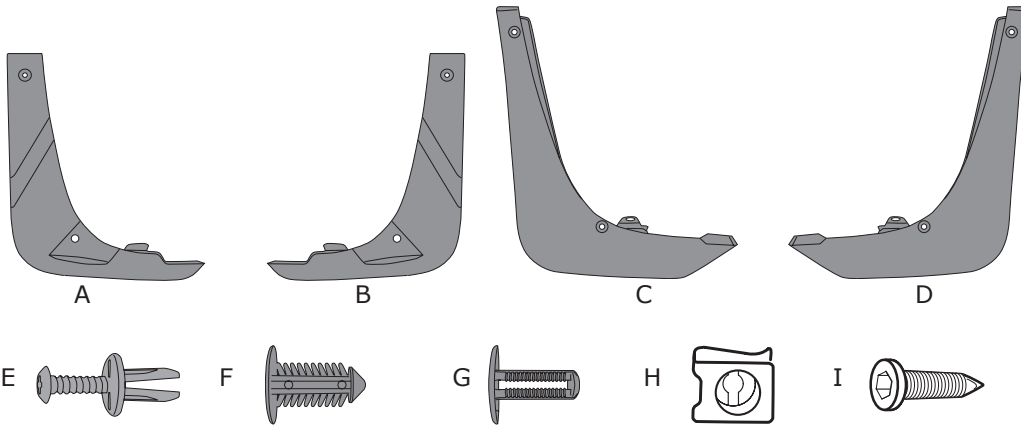
GENUINE PARTS

INFINITI®

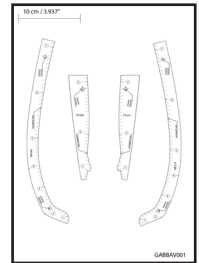
INSTALLATION INSTRUCTIONS

DESCRIPTION:	Splash Guards Black - High Gloss
APPLICATION:	QX30S, QX30 (Premium, Base)
PART NUMBER:	KE788-5DA0AUS

KIT CONTENTS:			
Item	Qty.	Part Description	Service Part Number
A	1	Splash guard - Front right	---
B	1	Splash guard - Front left	---
C	1	Splash guard - Rear right	---
D	1	Splash guard - Rear left	---
E	2	Push pin	KE788-5DA0A-S1
F	2	Push pin L21	
G	2	Push pin L24	
H	6	Spring nut	
I	6	Tapping screw	
J	1	Paper template GABBAV001	
K	1	Installation instructions replacement Template	---



J



STOP Important: Read Before Installation!
 Dealer Installation Recommended.

WARNING
 To avoid serious personal injury or property damage, always installation instructions before attempting to install this accessory. The installation instructions provide the necessary procedures for a safe installation.

CUSTOMER INTERNET DOWNLOAD INSTRUCTIONS:
 Customers can obtain installation instructions for Infiniti or Acura vehicles at www.infiniti-technical.com or www.acura-technical.com respectively. From the home page, select Accessory Instructions. Select your Model, Model Year, and Accessory Type or search for your Model, year or Model Year, and/or Accessory type including Keyword or Part Number, then locate the instructions for your accessory.

DEALER ASSIST DOWNLOAD INSTRUCTIONS:
 Dealership technicians can locate the installation instructions for this accessory by logging in and select: Acc. Install Instructions tab. Always download and use latest version of the installation instructions.

Infiniti Technical Support System © 2015 Infiniti. Rev. 03/15/15

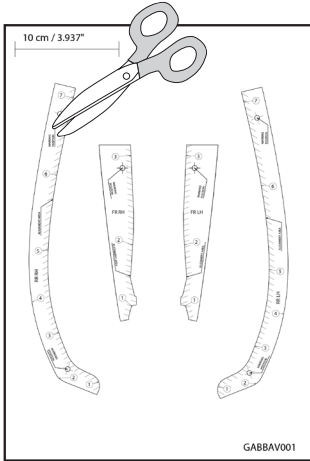
TOOLS REQUIRED:	
<ul style="list-style-type: none"> • Torx T20 screwdriver • Clip remover • Jack • Scissors • Phillips screwdriver 	<ul style="list-style-type: none"> • Tape • Center punch • Drill • 7mm (9/32") Drill Bit • 3mm (1/8") Drill Bit

PRE-INSTALLATION WARNINGS, CAUTIONS, CRITICAL STEPS, and NOTES:
<ul style="list-style-type: none"> • Dealer installation Recommended. Instructions may refer to Service Manual • These instructions are for left side of vehicle; same procedure applies to right side. • Jack up vehicle using instructions under «Changing Tire» section of owner's manual.

NOTBAV039

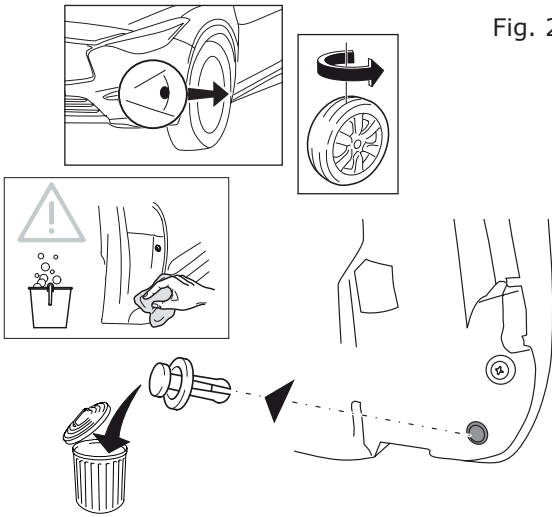
INSTALLATION PROCEDURE:

Fig. 1



1) Cut out four templates.

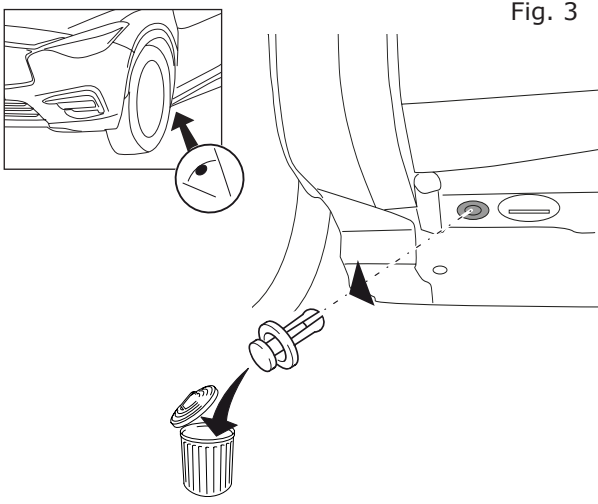
Fig. 2



2) Turn wheels to allow best access to screws and clean installation surface with mild soap / water mixture.

3) Remove and discard existing clip.

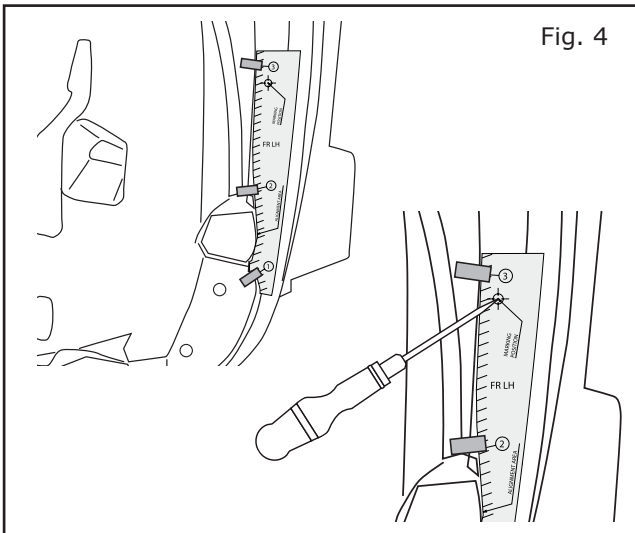
Fig. 3



4) Locate existing clip under vehicle.

5) Remove and discard existing clip.

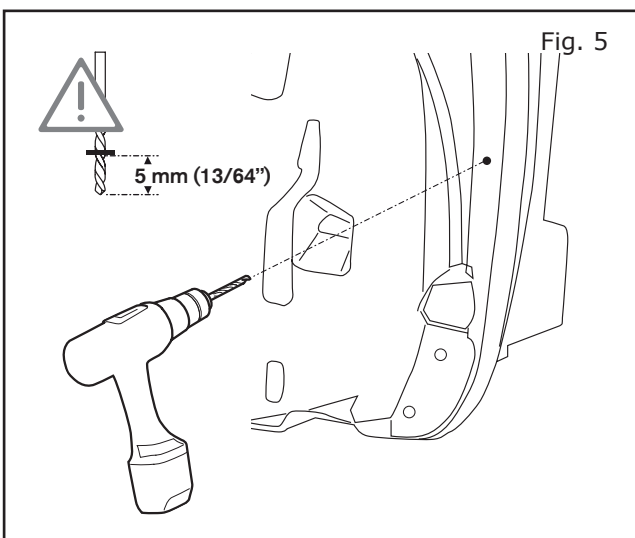
INSTALLATION PROCEDURE:



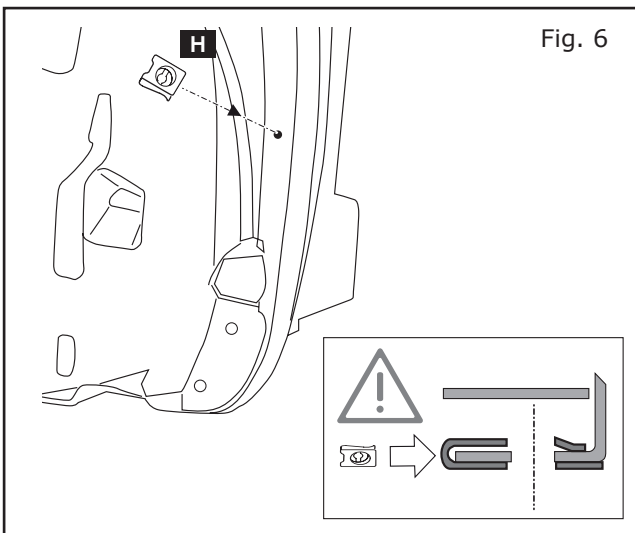
- 6) Align paper template (FR RH / FR LH) to wheel arch and apply masking tape to hold paper template in place.

NOTE: BE SURE TO FOLLOW ALIGNMENT LOCATIONS AND SEQUENCE NUMBERS ON PAPER TEMPLATE.

- 7) Mark hole position (+) with center punch.
- 8) Remove paper template.

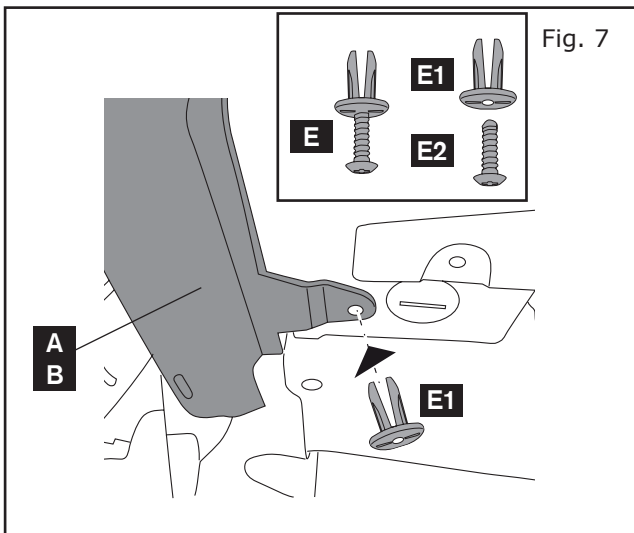


- 9) Drill 3mm (1/8") -> 7mm (9/32") hole at marked position.

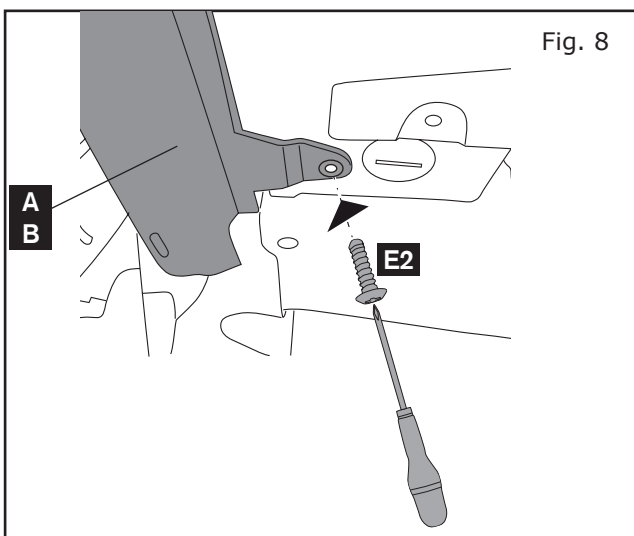


- 10) Align spring nut H with drilled hole and slide onto wheel arch flange.

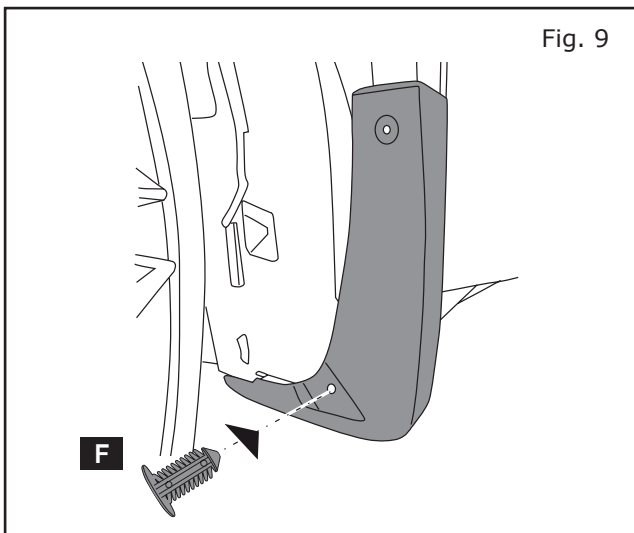
INSTALLATION PROCEDURE:



- 11) Detach plastic screw E2 from clip E1.
- 12) Align splash guard (A/B) to vehicle.
- 13) Install clip E1 under the vehicle.



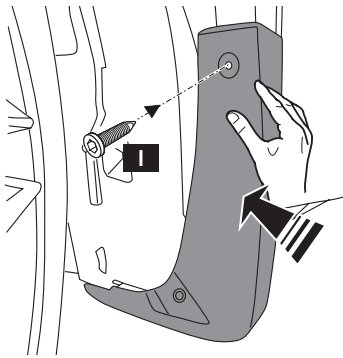
- 14) Fix screw E2 inside clip E1 with phillips screwdriver.



- 15) Install clip F.

INSTALLATION PROCEDURE:

Fig. 10

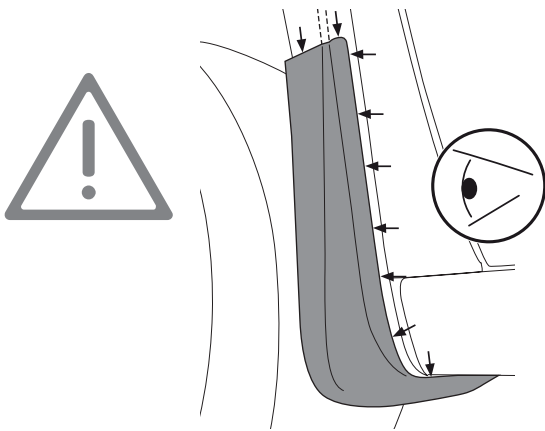


16) Install tapping screw I.

**NOTE: do not over tighten screw.
Torque: 2,8-3,3 N-m**

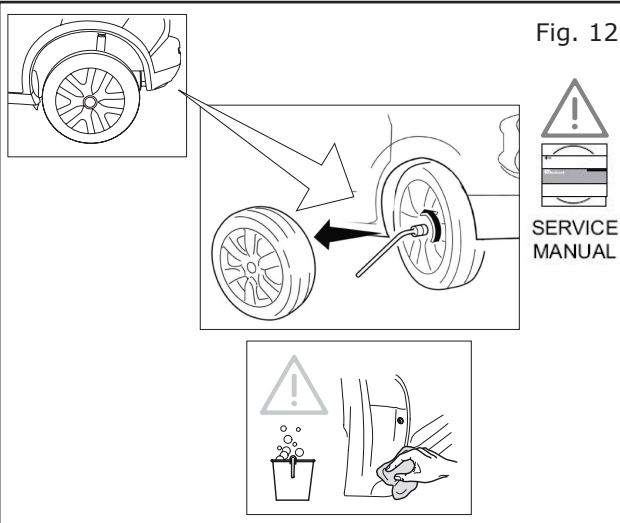
**NOTE: PUSH SPLASH GUARD TIGHT TO VEHICLE
WHILE TIGHTENING UP AND SCREW TO ENSURE
NO GAP OCCURS BETWEEN FENDER AND SPLASH
GUARD.**

Fig. 11



17) If gap occurs between fender and splash guard, loosen screw, adjust splash guard and re-tighten screw.

Fig. 12

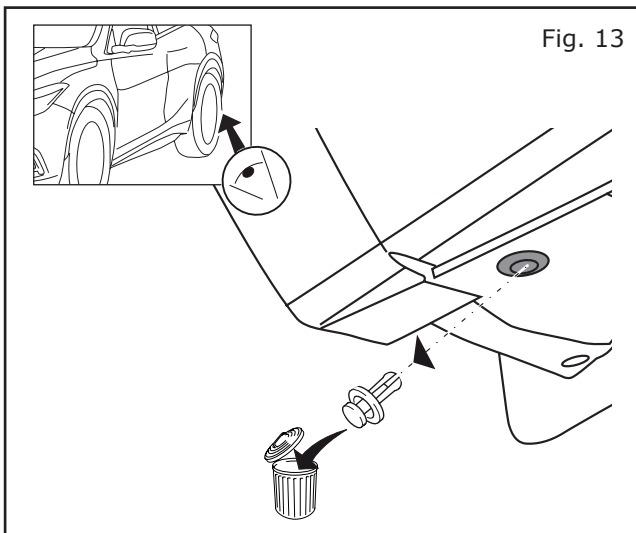


18) Jack up vehicle and remove rear wheel.

**NOTE: Jack up vehicle using instructions under
«Changing Tire» section of owner's manual.**

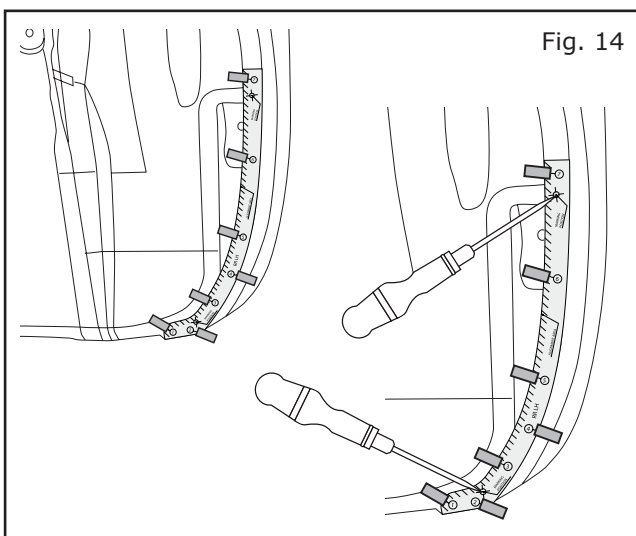
19) Clean installation surface with mild soap / water mixture.

INSTALLATION PROCEDURE:



20) Locate existing clip under vehicle.

21) Remove and discard existing clip.

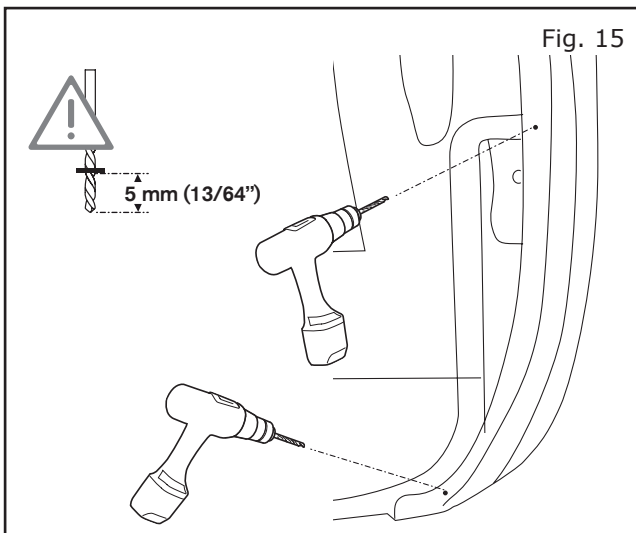


22) Align paper template (RR RH / RR LH) to rear bumper and apply masking tape to hold paper template in place.

NOTE: BE SURE TO FOLLOW ALIGNMENT LOCATIONS AND SEQUENCE NUMBERS ON PAPER TEMPLATE.

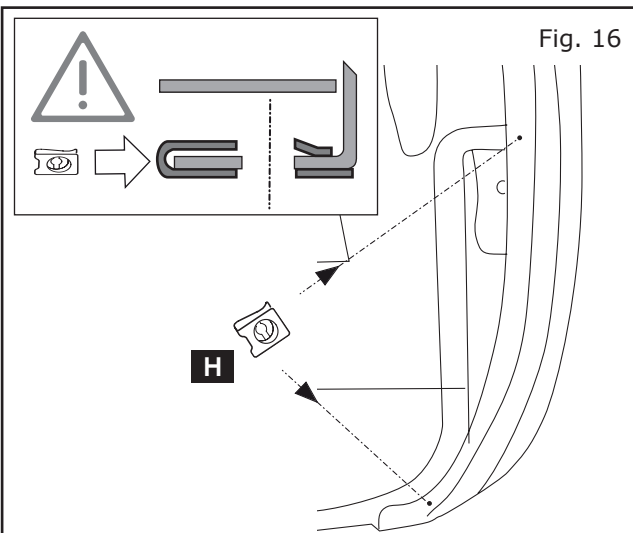
23) Mark 2 holes positions (+) with center punch.

24) Remove paper template.

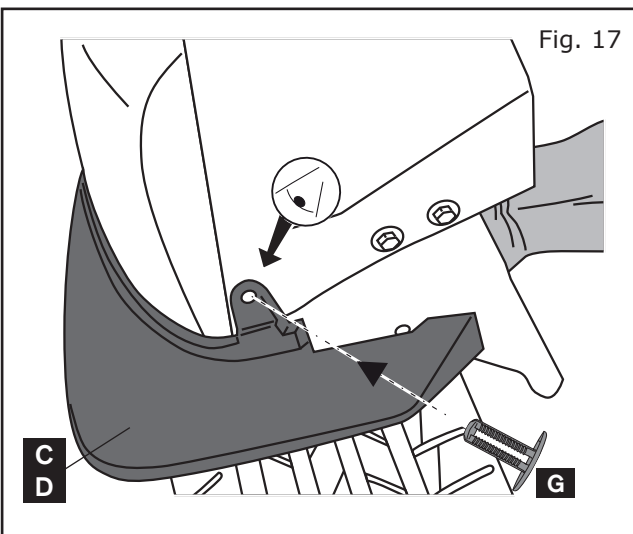


25) Drill 3mm (1/8") -> 7mm (9/32") hole at marked positions.

INSTALLATION PROCEDURE:

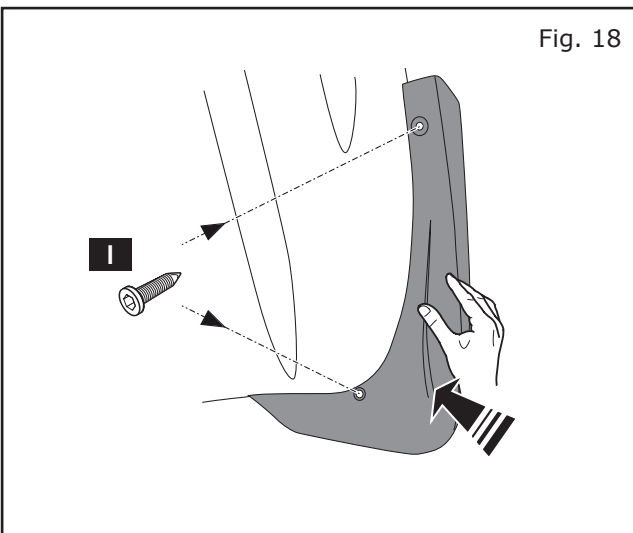


26) Align spring nuts H with drilled holes and slide onto wheel arch flange.



27) Align splash guard (C/D) to vehicle.

28) Install clip G under vehicle and push on underside to get clip to engage 4th layer of material.

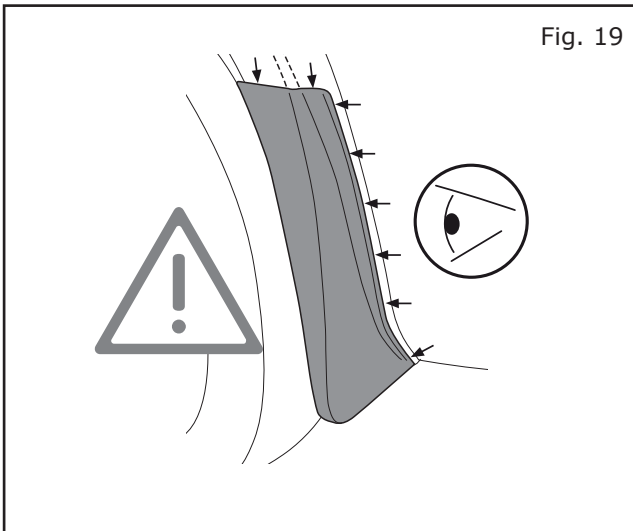


29) Install tapping screws I.

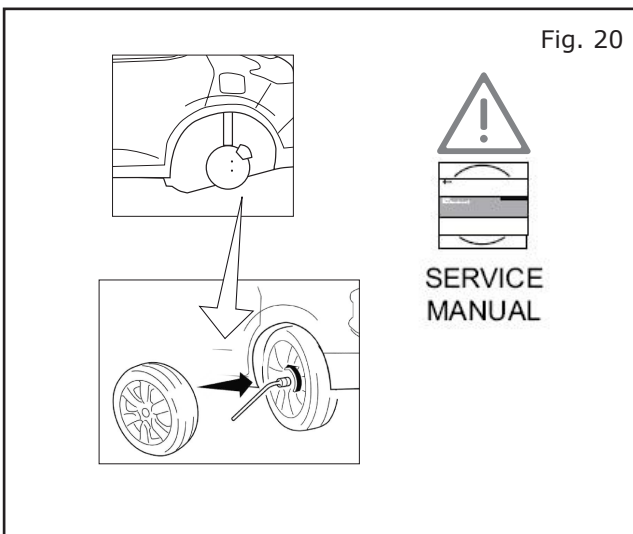
**NOTE: do not over tighten screws.
Torque: 2,8-3,3 N-m**

**NOTE: PUSH SPLASH GUARD TIGHT TO VEHICLE
WHILE TIGHTENING UP AND SCREW TO ENSURE
NO GAP OCCURS BETWEEN FENDER AND SPLASH
GUARD.**

INSTALLATION PROCEDURE:



30) If gap occurs between fender and splash guard, loosen screw, adjust splash guard and re-tighten screw.



31) Reinstall rear wheel and remove jack.

FINAL INSPECTION:

- Verify all clips are fully engaged and locked
- Check all torque values (Reference related steps and figures)
- Re-install all removed vehicle parts. Refer to vehicle service manual for more details