

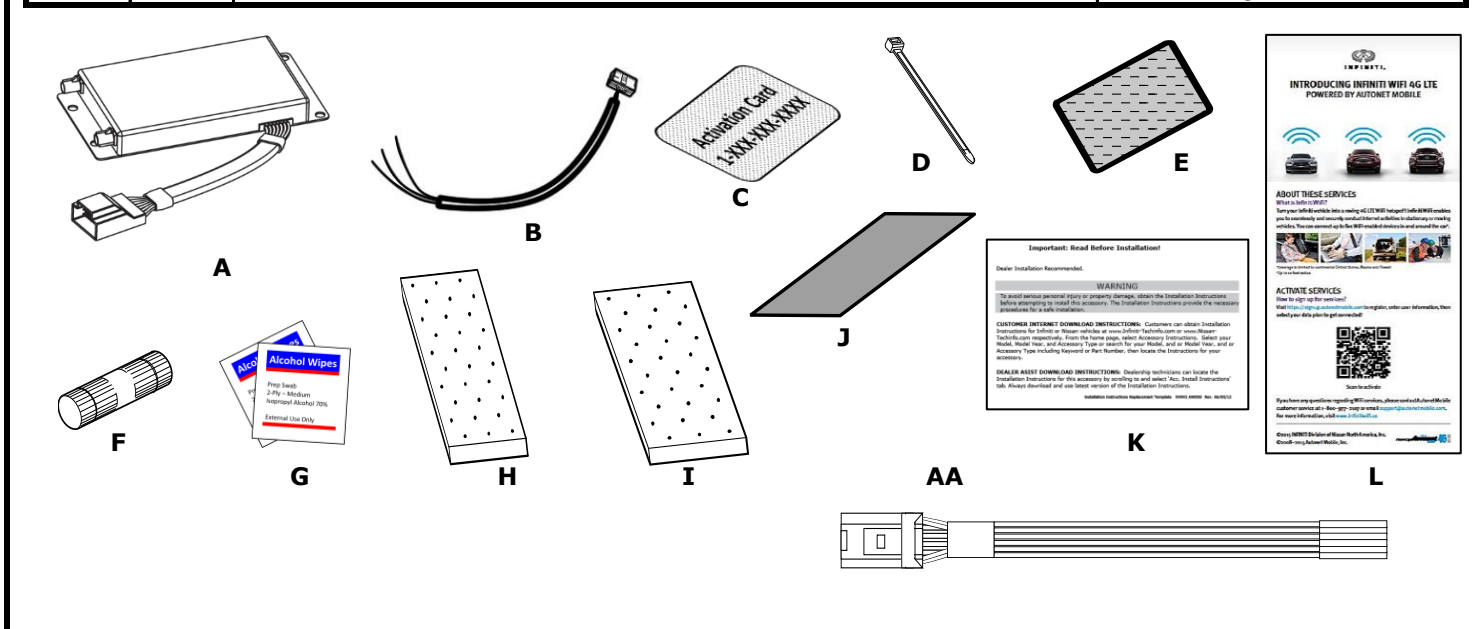
**INSTALLATION INSTRUCTIONS**

<b>DESCRIPTION:</b>	Wi-Fi Router Kit, Infiniti, Q50 & Q60
<b>APPLICATION:</b>	Q50 and Q60
<b>PART NUMBER:</b>	999Q8 Y4000 (Wi-Fi kit) 999Q9-AY001 Accessory Service Connector (ASC) - Not Included in Wi-Fi Kit.

<b>KIT CONTENTS:</b>			
Item	Qty.	Part Description	Service Part Number
A	1	Wi-Fi Router (TCU) Module Infiniti	T98Q8 5DC0A
B	1	TCU Wire Harness, length 600mm	T98Q8 5DC0B
C	1	Activation Card	
D	8	10" Cable Ties	
E	8	Single sided foam tape, (3.5x1x0.25") (LxWxH inches)	
F	3	Posi-tap connector	999M1 VT000
G	2	Alcohol Prep Pad	
H	1	Double sided foam tape, (140x70x6.4 mm) (LxWxH)	
I	2	Double sided foam tape, (85x70x6.4 mm) (LxWxH)	
J	5	Single sided clear PET tape, (4x1x0.01") (LxWxH inches)	
K	1	II Replacement Template	999V2 AW000
L	1	Glove Box Brochure	

**ITEMS NOT IN KIT THAT MAY BE REQUIRED**

AA	1	Accessory Service Connector (NOT INCLUDED IN KIT)	999Q9 AY001
AB	1	Installation Instructions on Web	999Q8 Y4000 II



**Important: Read Before Installation!**

Dealer Installation Recommended.

**WARNING**  
To avoid serious personal injury or property damage, obtain the Installation Instructions before attempting to install this accessory. The Installation Instructions provide the necessary procedures for a safe installation.

**CUSTOMER INTERNET DOWNLOAD INSTRUCTIONS:** Customers can obtain Installation Instructions for software updates and/or access additional functionality on some Infiniti user Model, Model Year, and Accessory Type or search for your Model, and/or Model Year, and/or Accessory Type including forward or the number. Visit the Instructions for your accessory.

**SCALEX ASSIST DOWNLOAD INSTRUCTIONS:** Dealership technicians can locate the Installation Instructions for this accessory by searching for and using the "Scalex Assistant" tab. Always identified and use based on version of the installation instructions.

©2016 Infiniti North America, Inc. All rights reserved. See website for details.



**INTRODUCING INFINITI WIFI 4G LTE**  
POWERED BY AUTONET MOBILE

**ABOUT THESE SERVICES**  
What is Wi-Fi? Wi-Fi is a wireless technology that allows you to connect your mobile device to the Internet. Wi-Fi is available on many of our vehicles and is powered by Autonet Mobile. To use Wi-Fi, you must have a Wi-Fi enabled mobile device and a Wi-Fi network.

**ACTIVE SERVICES**  
How to sign up for services? Visit [www.infiniti.com/infiniti-wifi](http://www.infiniti.com/infiniti-wifi) for more information, terms and conditions, and to sign up for services.

Sign to activate

Scan the QR code to activate your services.

©2016 Infiniti North America, Inc. All rights reserved. See website for details.

**TOOLS REQUIRED:**

- Wire Cutter
- Nylon Trim Tool
- Phillips #2 Screwdriver
- Flashlight
- 10mm Socket
- Ratchet
- Ruler

**INSTALLATION PROCEDURE: PRE-INSTALLATION CAUTIONS / NOTES**

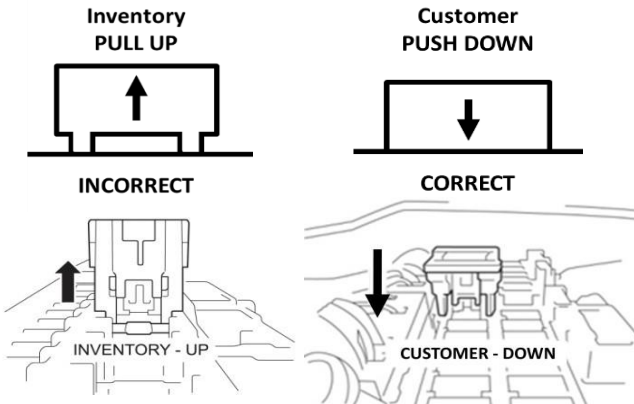
**⚠ CAUTION**

- Dealer installation recommended. Instructions may refer to Service Manual.
- Always perform seat reprogram procedure when battery terminal is removed (See Check Out)
- Power walk-in function will not operate normally if no initialization is performed.
- Please read this instruction carefully before installing this product for correct installation.
- If problem occurs during installation, contact Nissan dealer where product was purchased.

1) Apply parking brake  
 2) Confirm the vehicle is no longer in the default shipping state (Extended Storage Switch pulled up and BCM in Transit Mode). Failure to confirm the vehicle has been removed from this state will result in the loss of normal vehicle operation. The confirmation requires two checks:

2a) Locate the Extended Storage Switch in the cabin fuse block. Once located, check that it is in the "Customer" position. See below for reference.

2b) To remove Transit Mode is by doing as follows:  
 1. Remove fuse cover lid  
 2. Push down shorting pin  
 3. Ign On 2 times to ACCY position



To put Transit Mode back is by doing as follows:

1. Ign Off
2. Remove fuse cover lid
3. Pull up shorting pin
4. Assemble fuse cover lid
5. Ign On 2 times to ACCY position
6. Confirm transit mode condition on meter

**NOTE:**

Typical vehicle condition shown above. Switch is easily identifiable by the permanent, push-pull fuse holder. Actual position on the fuse block may vary, vehicle to vehicle.

**⚠ CAUTION**

- Make sure the ignition is "OFF" before changing the switch position.

Condition	Switch Position	Note
Vehicle is delivered to the dealer	Inventory Condition	
Technician performs PDI	Customer Delivery	Return switch to Inventory position after PDI.
Customer test drives the vehicle	Customer Delivery	Return switch to Inventory position after test drive.
Vehicle is being stored at the dealer	Inventory Condition	
Vehicle is sold and delivered to customer	Customer Delivery	

**NOTE: E. S. S. is only an aid to improve battery life during vehicle storage at dealer. If E. S. S. fuse ever needs service after vehicle delivery, discard E. S. S. and install correct fuse in its place.**

- 3) Turn ignition switch to "ON" position
- 4) Record the customer radio presets and other presets as required

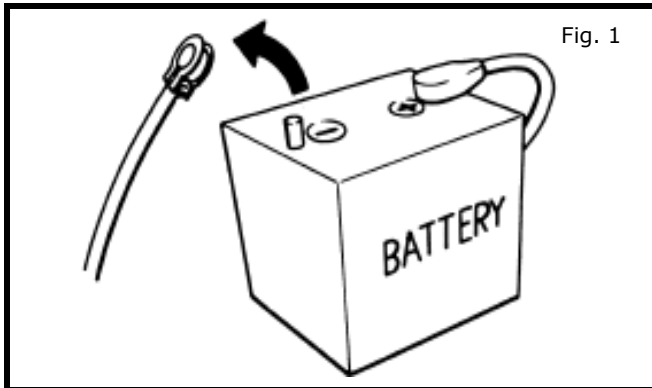
Preset	1	2	3	4	5	6		

- 5) Put shift lever in "P" position for A/T and CVT or "1st" for M/T
- 6) Turn ignition switch to "OFF" position

## INSTALLATION PROCEDURE: PRE-INSTALLATION CAUTIONS / NOTES

### **⚠ CAUTION**

- Allow 3 min after key off and doors closed for vehicle to time out. Allow an additional 3 min after negative terminal dis-connect before separating any electrical connectors.



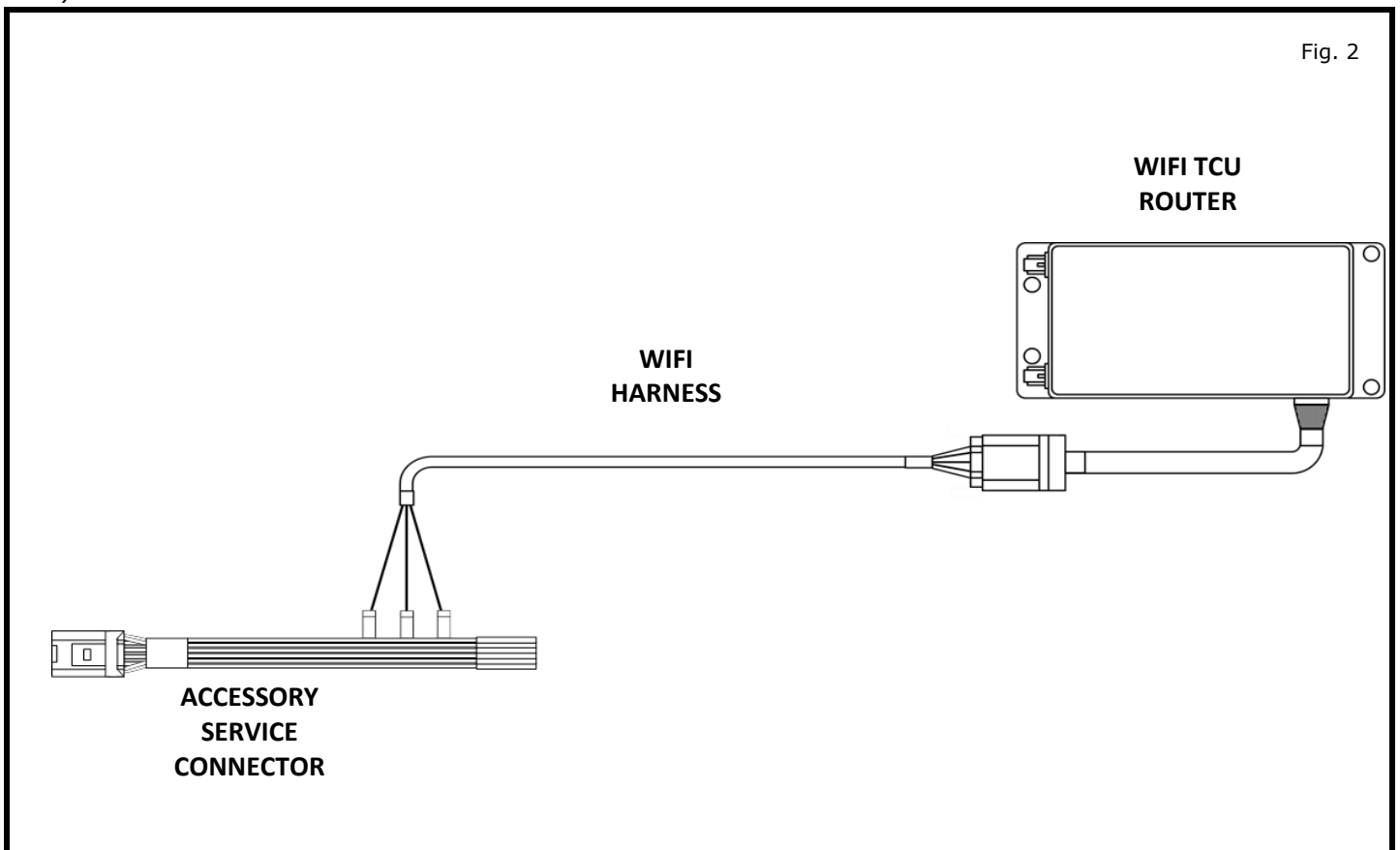
- 9) Disconnect the negative battery terminal as shown in Fig. 1.
- 10) Use seat and floor protection.
- 11) This part is to be installed at surface temperature of 65-100° F.

### **⚠ CAUTION**

- Take care not to scratch or damage any component during the removal or re-installation process.
- Trim pieces found to have witness marks or broken clips are not to be reinstalled.
- Additional items in cargo area may need to be removed.
- Always remove vehicle parts in the sequence they are shown, improper procedure can damage parts.
- Store removed parts in a safe and protected manner.

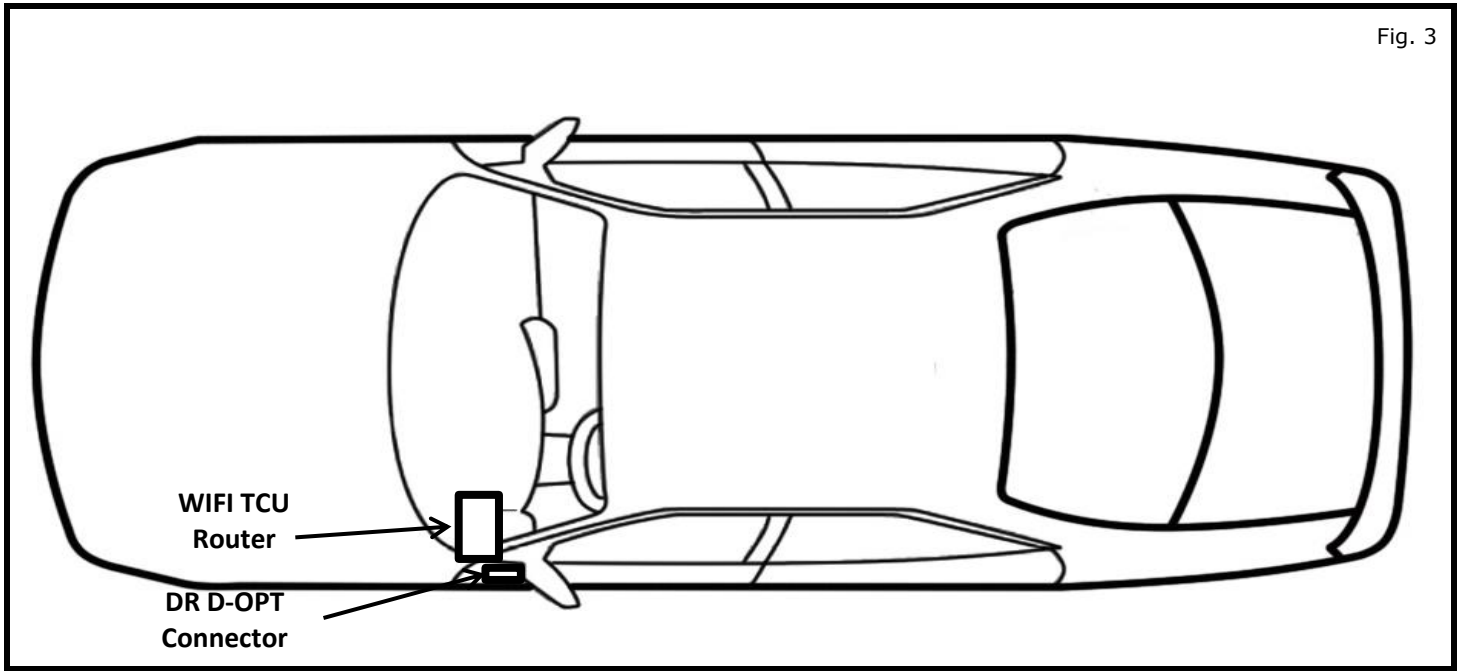
#### INSTALLATION OVERVIEW:

##### 1.) SYSTEM



**INSTALLATION OVERVIEW:**

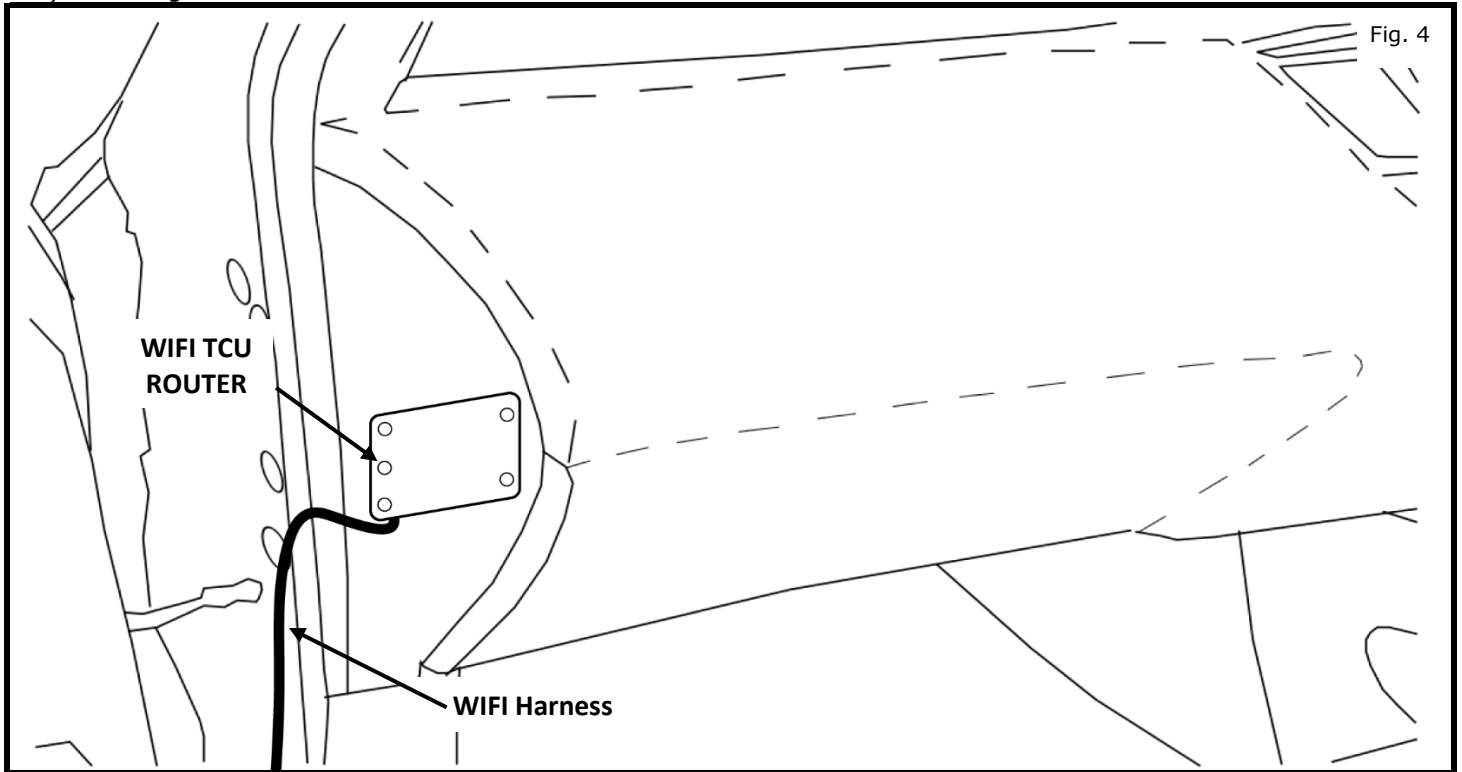
2.) VEHICLE



**⚠ CAUTION**

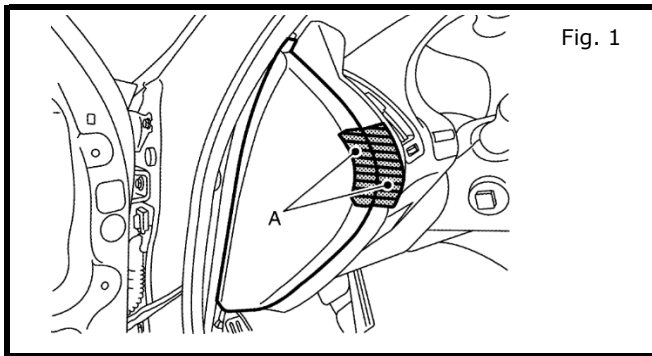
- Any description of vehicle wiring color is for reference only.
- Always refer to vehicle wiring diagram for details.

3) Routing

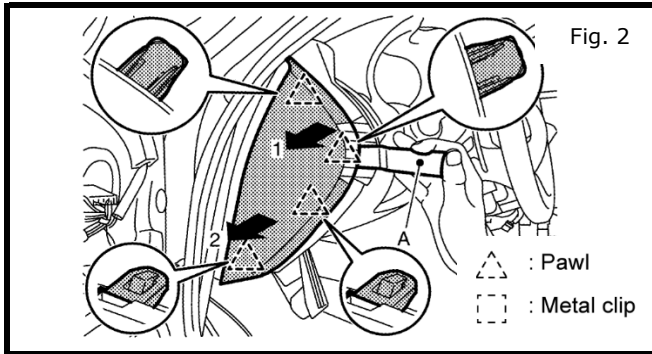


# INSTALLATION INSTRUCTIONS - WiFi Kit

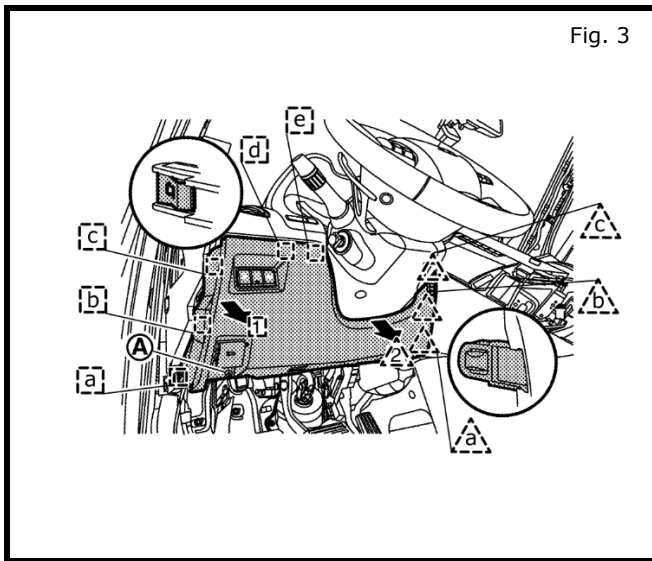
## INSTALLATION PROCEDURE: VEHICLE PARTS REMOVAL



- 1) Remove dash mask.
  - a) Remove instrument side finisher LH. Apply protective tape (A) on the part to protect it from damage.



- b) Pull instrument side finisher LH, and then disengage pawls using a remover tool (A) according to the numerical order 1→2 as shown in figure 2.



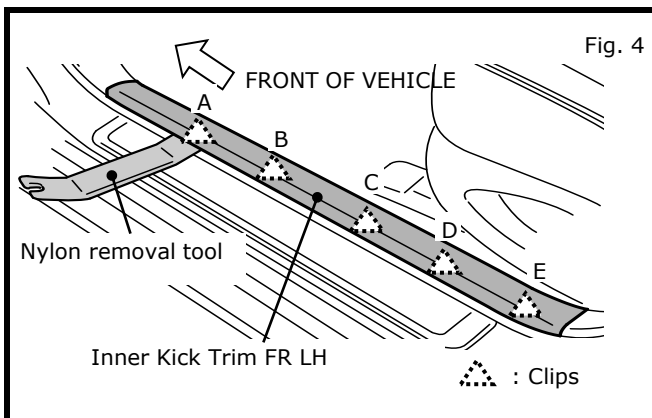
- 2) Remove fasteners from drivers side lower instrument panel (IP), trim panel and let it hang below the steering wheel.
  - a) Remove single philips sheet metal fixing screw (A).
  - b) Pull back the instrument lower panel LH, then disengage pawls and metal clips according to numerical order 1(a-e) and 2(a-c) as shown in figure 3.

### ⚠ CAUTION

**Remove pawls and metal clips slowly so that they are not damaged.**

#### NOTE:

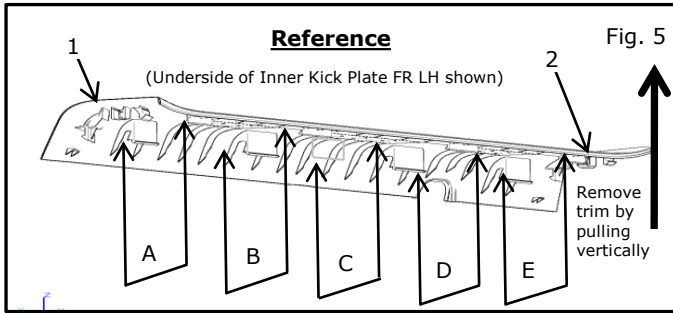
**Do not disconnect switches or hood release cable from lower IP trim panel. Let it dangle.**



- 3) Inner Kick Trim FR LH removal
  - a) Remove Inner Kick Plate FR LH by pulling straight up to disconnect clips as shown in Fig. 4 and Fig. 5.

# INSTALLATION INSTRUCTIONS - WiFi Kit

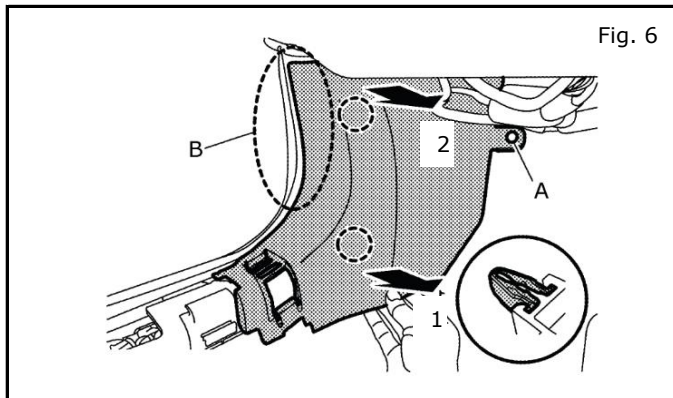
## INSTALLATION PROCEDURE:



### IMPORTANT:

Clips are located at locations labeled; 1, 2, and A thru E in Fig. 5. Note locations and orientations to avoid damage.

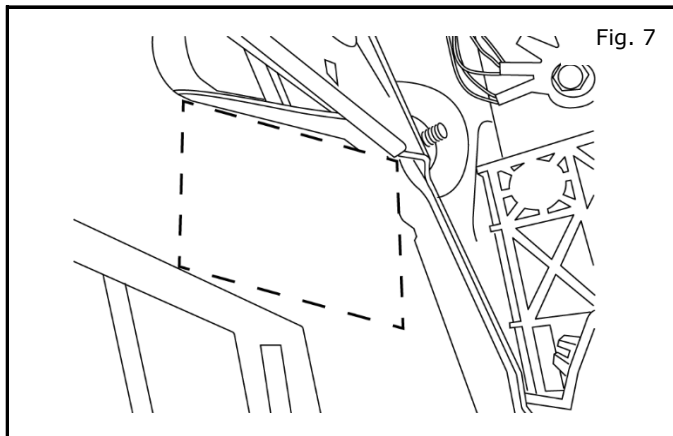
### PULL CAREFULLY



- 4) Removing dash side finisher.
  - a) Remove dash clip (A) and disengage dash side finisher fixing clips according to numerical order 1 through 2 indicated by arrows as shown in figure and then remove dash side finisher.

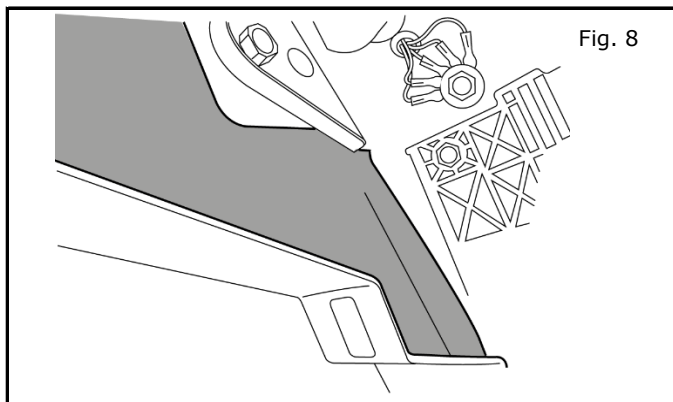
### **CAUTION**

Never pull the portion (B) to prevent damage to dash side finisher.



### NOTE:

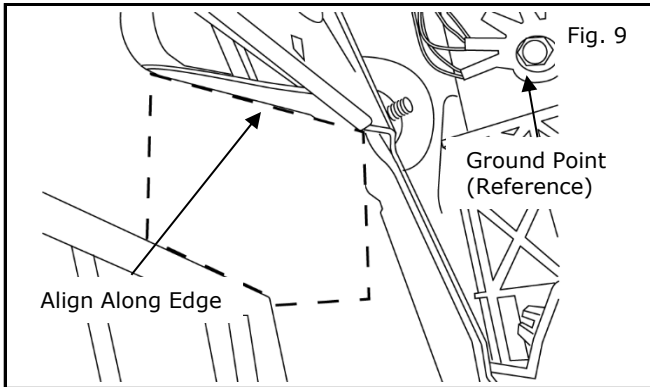
Location is on inside of IP, behind dash mask.



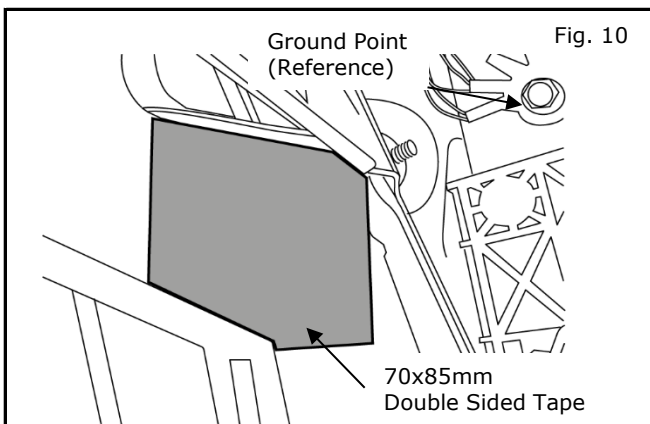
- 5) Prepping surface for mounting the Wi-Fi router.
  - a) Wipe IP area with alcohol wipe.

# INSTALLATION INSTRUCTIONS - WiFi Kit

## INSTALLATION PROCEDURE:



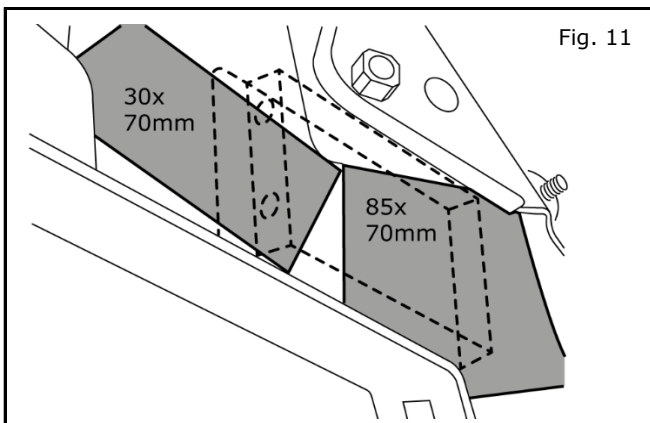
- b) Align (70mm x 85mm) double sided tape along trim edge as outlined in figure 9.



- 6) Applying double sided tape.
- a) Apply 70mm wide by 85mm long double sided tape to opening, lining up with top edge. Figure 10

**NOTE:**

**Do not remove outer liner at this time. A dry fit of router must be done first to verify correct position and avoid interference with IP opening. See step 9.**



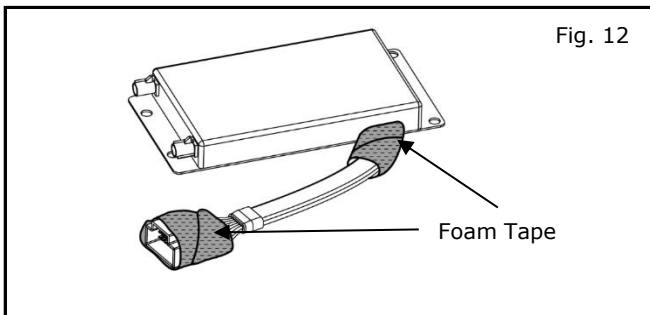
**NOTE:**

**Cut one of the 85mm x 70mm pieces of tape to 30mm x 70mm.**

- b) Apply second piece of double sided foam tape, 30mm x 70mm, to opening as shown. Figure 11

**NOTE:**

**Do not remove the liner until router position in IP is determined.**

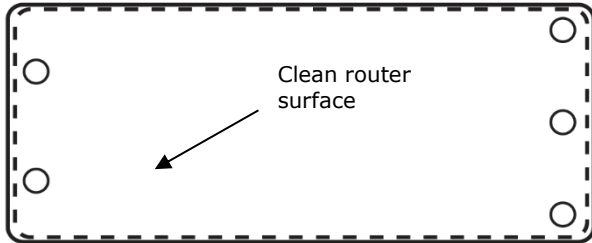


- 7) Preparing router for installation.
- a) Wrap pigtail in foam tape near router as shown.
- b) Wrap pigtail connector in foam tape.

# INSTALLATION INSTRUCTIONS - Wifi Kit

## INSTALLATION PROCEDURE:

Fig. 13



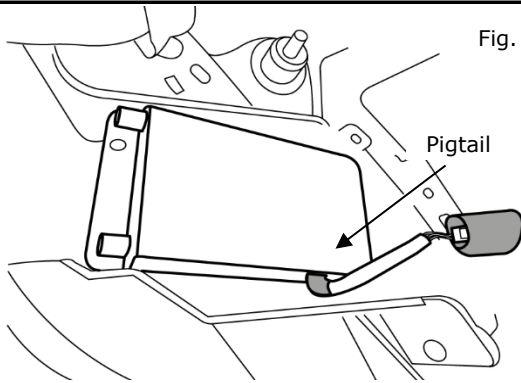
- 8) Position tape on router.
  - a) Clean router surface with alcohol wipe.

Fig. 14



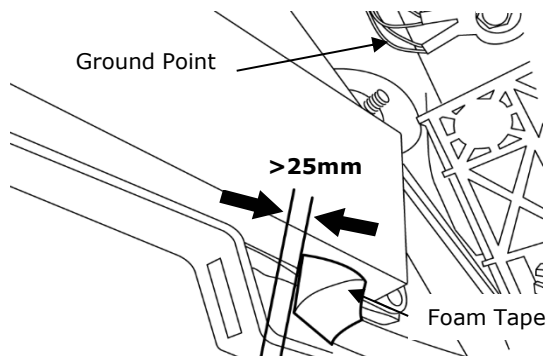
- b) Apply double sided foam tape, (140x70x6.4 mm) to router after cleaning with alcohol wipe. Figure 14
  - c) **Do not remove the paper liner until router position in IP is determined.**

Fig. 15



- 9) Dry fit router to IP opening.
  - a) Line up router in IP opening so it is pushed to back. Pigtail must clear opening for IP attachment.

Fig. 16



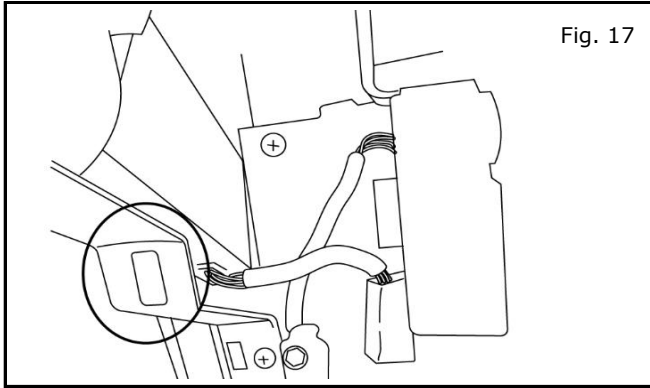
## **CAUTION**

**Spacing between harness foam tape and bottom corner must be greater than 25mm. See figure**

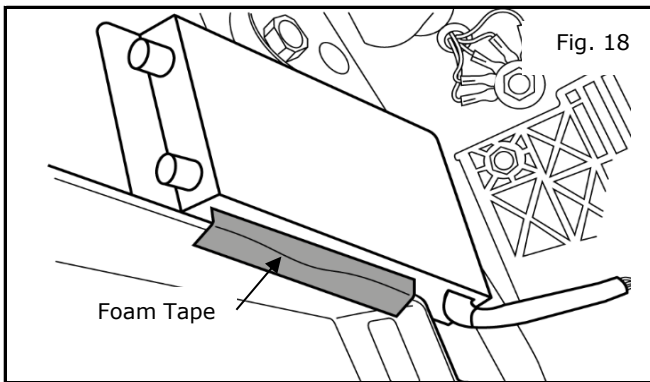


# INSTALLATION INSTRUCTIONS - Wifi Kit

## INSTALLATION PROCEDURE:

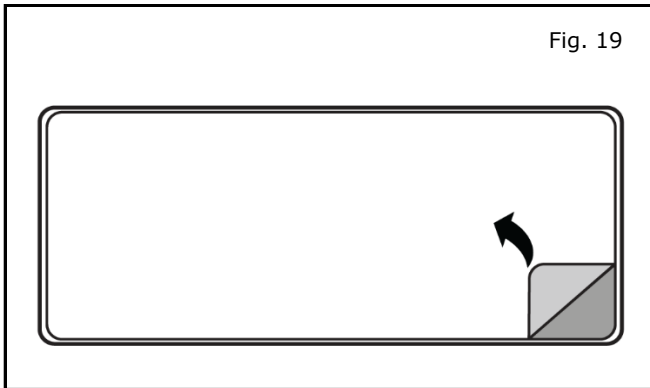


- 10) Ensure pigtail does not interfere with IP attachment area shown.

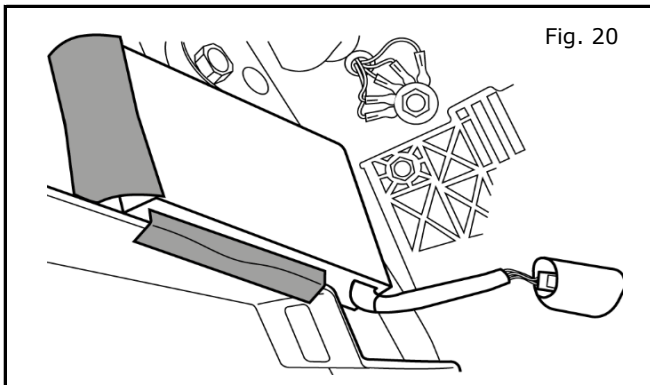


### **⚠ CAUTION**

**Add foam tape to IP edge prevent squeak and rattle as shown in figure 18.**



- 11) After lighing up as a dry fit, carefully remove remaining paper liners from bottom of router and tape sections located on inner panel. Figure's 11,14,19



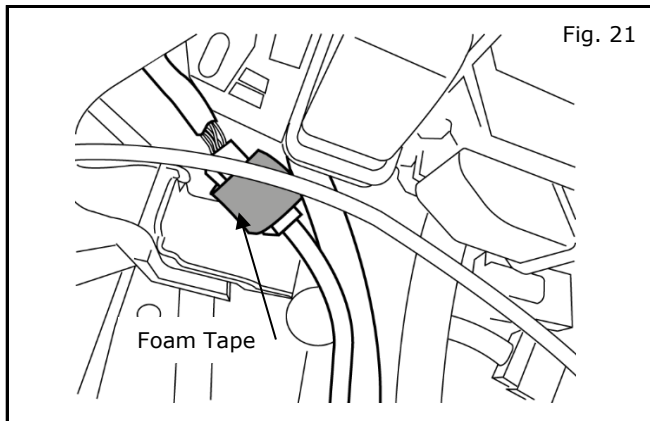
- 12) Place router in planned opening. Figure 20

### **NOTE:**

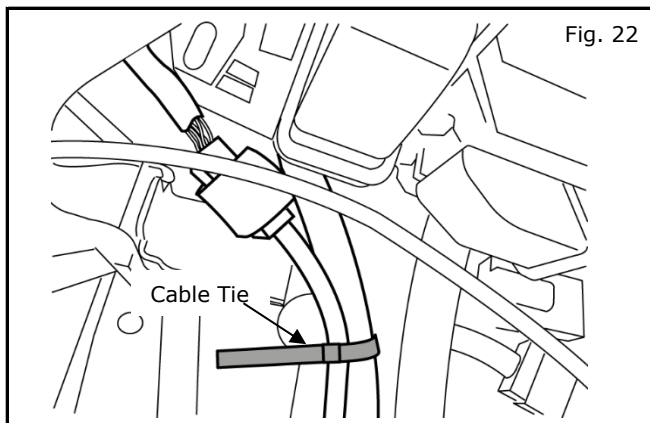
**Install with care. Tape will stick as soon as it is installed and cannot be removed.**

# INSTALLATION INSTRUCTIONS - Wifi Kit

## INSTALLATION PROCEDURE:



- 13) Connect pigtail to WiFi harness. Wrap both connectors with foam tape.



- 14) Cable tie pigtail harness onto vehicle wire harness as shown.
- 15) Route and secure harness with required cable ties and single sided foam tapes, (3.5x1x0.25") over to the vehicle accessory connector.

Proceed to page 11.

# INSTALLATION INSTRUCTIONS- Wifi Kit

## INSTALLATION PROCEDURE:

## VEHICLE PARTS REMOVAL

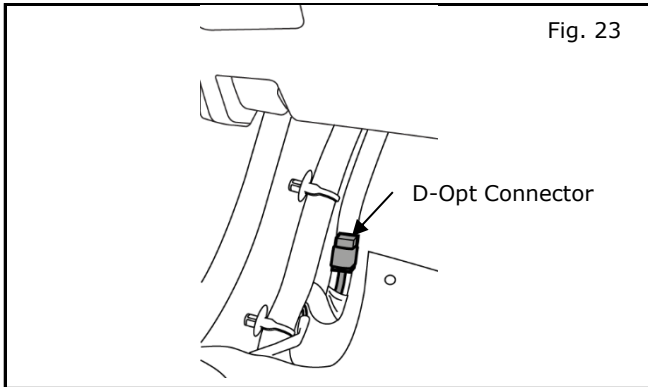


Fig. 23

- 16) Locating the Driver D-OPT connector
- a) Locate Driver side Dealer Option Connector behind dash side finisher as shown in Fig. 23.

**Notes:**

- 1.) If there is already an ASC in driver side read step 17, if not proceed to step 18.
- 2.) If there is not an ASC in driver side remove dummy plug in connector.

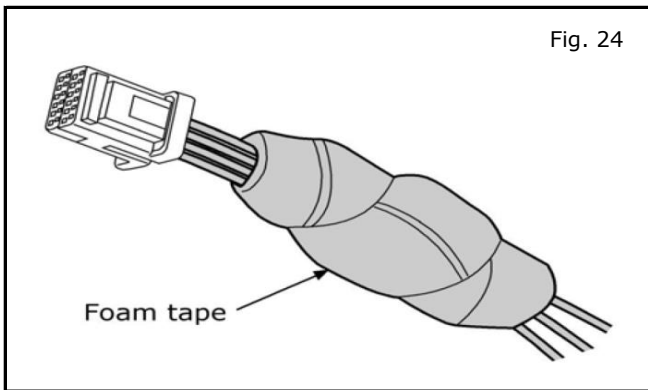


Fig. 24

- 17) Locating Accessory Service Connector
- a) If (ASC) Accessory Service Connector is located on the driver side utilize it and continue.
- b) Remove any foam tape present before adding any positaps as shown in Fig. 24.

**Note:**

- 1.) 1.) If there is no Accessory Service Connector present on driver side, order one (see page-1) from the service department and install.

999Q9 AY001		
Pin	Label	Color
1	IGN	WHITE
2	BAT	RED
3	TL_LMP	PURPLE
4	RM_LMP	YELLOW
5	BATSVR	PINK
6	FR_DR_SW_RH	GREEN
7	FR_DR_SW_LH	LT GREEN
8	THRU SIGNAL 1	GREY
9	RR_DR_RH	BLUE
10	RR_DR_LH	LT BLUE
11	ACC	ORANGE
12	GND	BLACK

Fig. 25

**Pin location is referenced looking from the harness side of connector.**

- 18) Accessory Service Connector Reference
- a) The Accessory Service Connector pin out is shown in Fig. 25.

**Notes:**

- 1.) For direction on how to posi-tap wire connections refer to pages 12 through 14.
- 2.) For additional circuit connection information refer to the mech drawing at the end of these installation instructions.

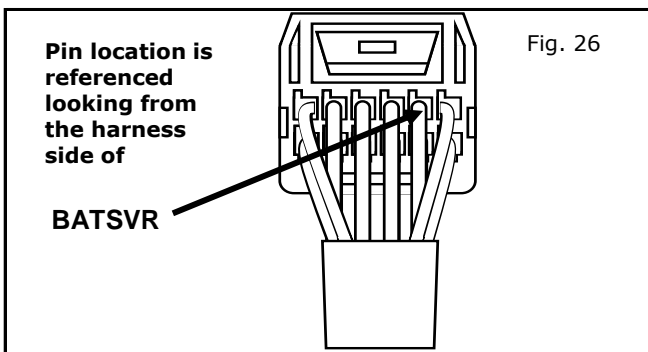
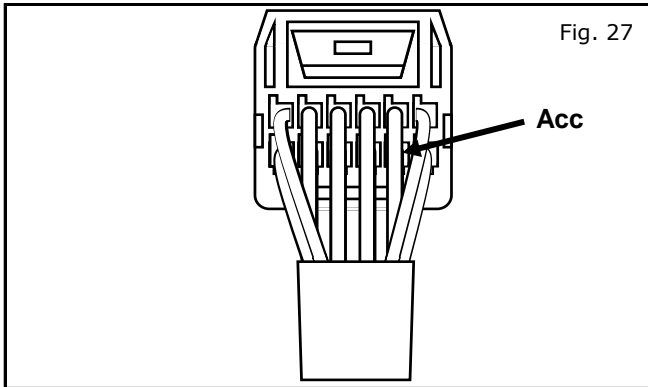


Fig. 26

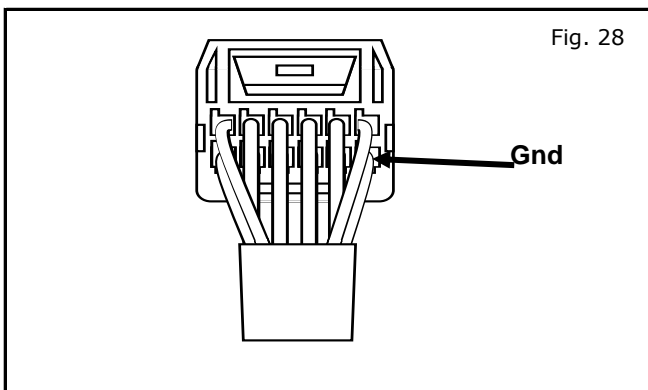
- 19) Posi-tap Battery Saver
- a) Tap **Red** wire on the WiFi TCU Module harness to the Pink (BATSVR) wire on the Accessory Service Connector as shown in Fig. 26.

# INSTALLATION INSTRUCTIONS - Wifi Kit

## INSTALLATION PROCEDURE: POSI-TAP

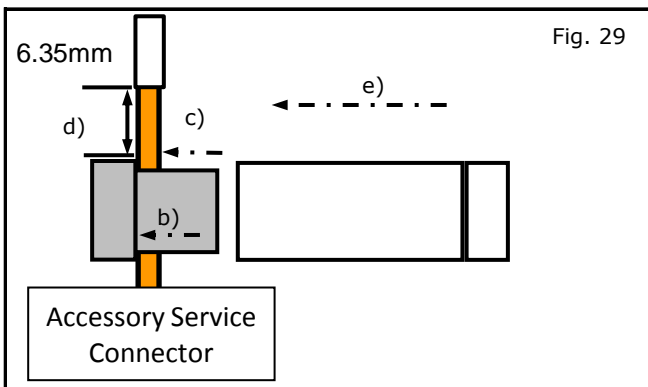


- 20) Posi-tap ACC
- Tap **White** wire on WiFi TCU Module harness to the Orange (Acc) wire on Accessory Service Connector as shown in Fig. 27.

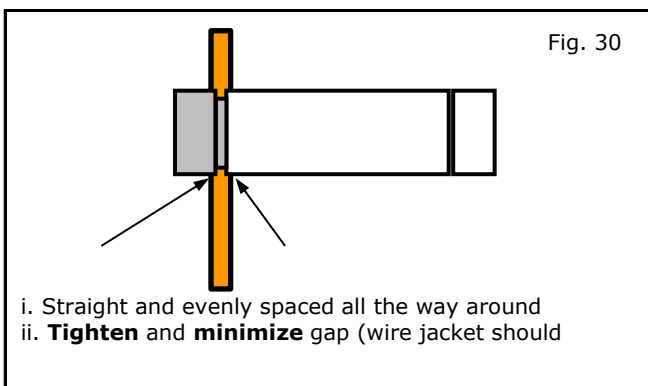


- 21) Pos-itap GND
- Tap **Black** wire on WiFi TCU Module harness to Black (Gnd) wire on Accessory Service Connector as shown in Fig. 28.

**NOTE:**  
**Figures are not to scale.**



- 22) Posi-tapping Accessory Service wire (Fig. 29)
- Identify and confirm correct wire in Accessory Service Connector to be tapped.
  - Remove cap (slot side) from tap body.
  - Slide cap around single accessory wire.
  - Position cap  $\geq 6.35\text{mm}(0.25\text{in})$  away from heat shrink end of Accessory Service Connector (measurement for first posi-tap installed on circuit).
  - Tighten the tap **TIGHT** with finger pressure.
  - Tighten by another quarter turn.

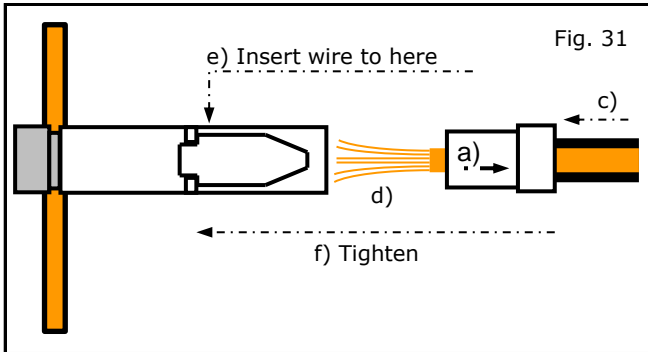


- 23) Inspecting tap for correct installation (Fig. 30).
- Pull on wire lightly to ensure connection.
  - Inspect tap to ensure correct installation.
  - Test signal to ensure that it is working properly.

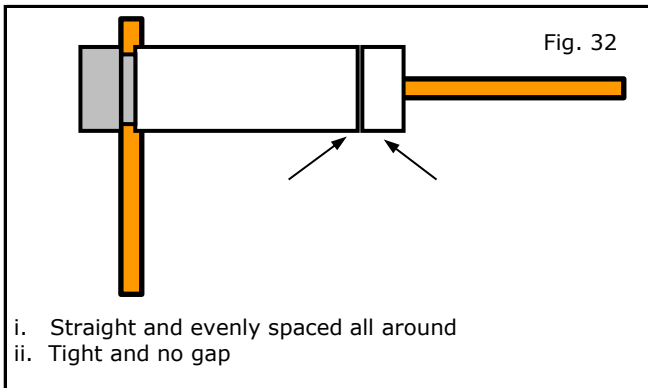
**NOTE:**  
**Avoid putting pressure on the vehicle wire and tap for the remainder of the installation.**

# INSTALLATION INSTRUCTIONS - Wifi Kit

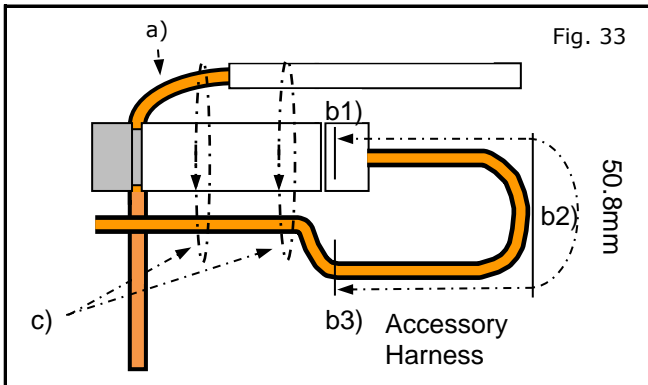
## INSTALLATION PROCEDURE: POSI-TAP



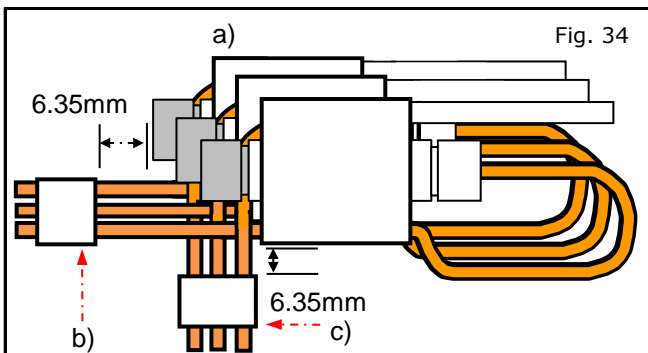
- 24) Tap accessory wire (Fig. 31).
  - a) Remove tap (non-pierce) side from tap.
  - b) Remove the protective stub from the wire.
  - c) Insert wire through the non-pierce side opening.
  - d) Spread the individual strands into fan shape.
  - e) Insert wire into tap body and ensure that it is all the way in.
  - f) Tighten the tap **TIGHT** with finger pressure.
  - g) Tighten by another quarter turn.



- 25) Confirm the tapped accessory wire.
  - a) Pull on wire lightly to ensure connection.
  - b) Inspect tap to ensure correct installation as shown in Fig. 32.



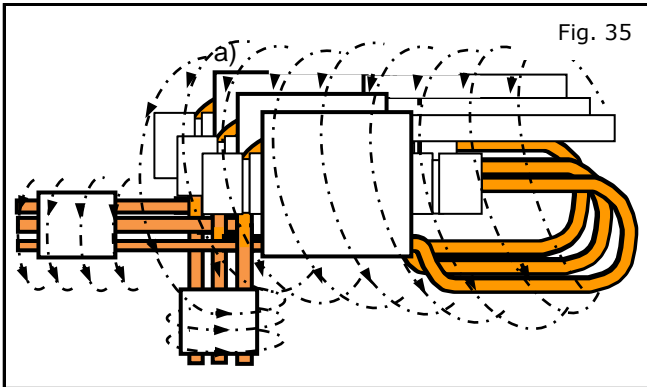
- 26) Forming strain relief loop - required (Fig. 33).
  - a) Gently bend end of pierced wire (where it exits cap) down towards body of posi-tap.
  - b) On tapped wire of non-pierce side; starting at point b1), measure 50.8mm(2in) to point b3). Make first bend of loop b2), half distance measured 25.4mm(1in), and up toward body of posi-tap, make second bend of loop b3).
  - c) Secure pierced wire on heat shrink side and tapped wire on non-pierce side to body of tap with electrical tape ( $\geq 2$  revolutions).



- 27) Securing multiple accessory taps (Fig. 34).
  - a) Tapped accessories (wires already secured to tap bodies) are stacked slightly staggered on top of each other as shown in Fig a).
  - b) Tapped wires on non-pierce side of all posi-taps are secured to each other with electrical tape ( $\geq 2$  revolutions) at a distance of  $\geq 6.35\text{mm}$ (0.25in) as shown in Fig b).
  - c) Pierced wires of first and subsequent posi-taps are secured to each other with electrical tape ( $\geq 2$  revolutions) at a distance of  $\geq 6.35\text{mm}$ (0.25in) as shown in Fig c).

# INSTALLATION INSTRUCTIONS - Wifi Kit

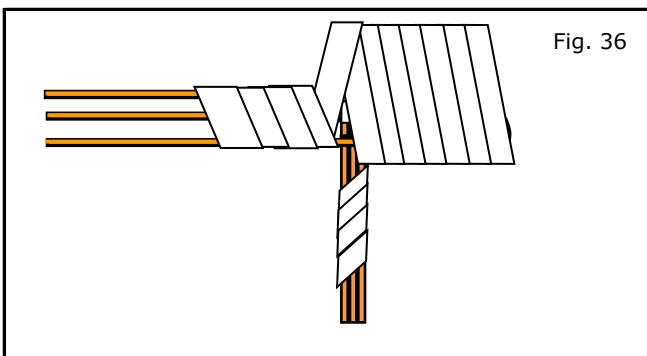
## INSTALLATION PROCEDURE: POSI-TAP



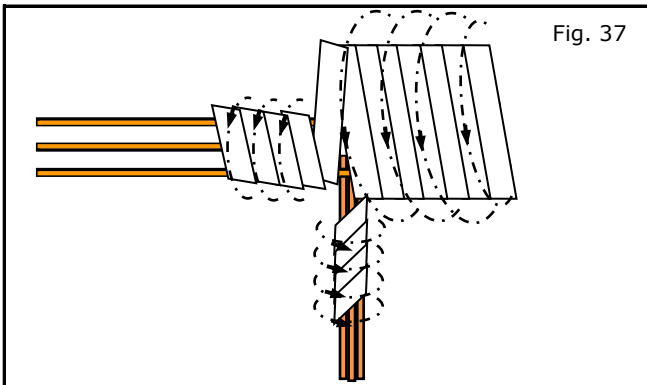
- 28) Pre- foam protective wrap
- a) Starting at heat shrink; firmly wrap posi-tap bundle with electrical tape or non-adhesive wire harness tape, making sure to overlap previous revolution as shown in Fig. 35.

**Note:**

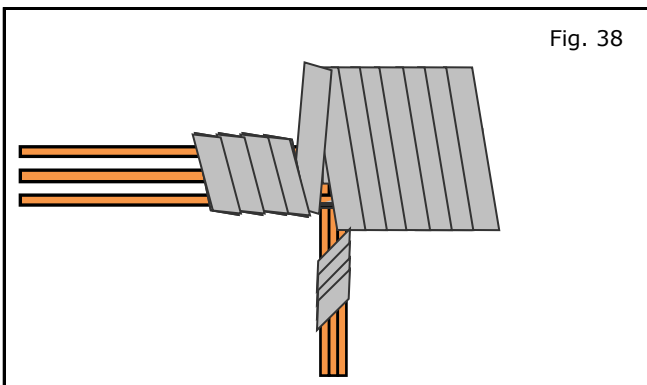
**If using a non adhesive tape to wrap the bundle, secure at both ends with  $\geq 2$  revolutions of adhesive electrical tape.**



- 29) Finished protective wrap
- a) Make sure the finished wrap looks similar to Fig. 36.



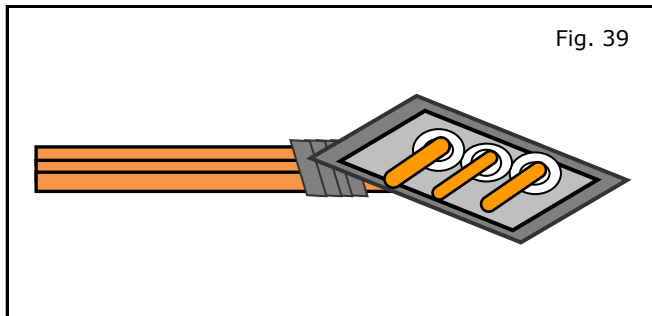
- 30) Foam wrap for posi-tap bundle (foam strips)
- a) Wrap posi-tap bundle with foam tape, following a pattern similar to electrical tape, making best use of foam strips provided as shown in Fig. 37.



- 31) Finished foam wrap for bundle (strips-top view)
- a) Make sure finished wrap looks similar to Fig. 38.

## INSTALLATION INSTRUCTIONS - Wifi Kit

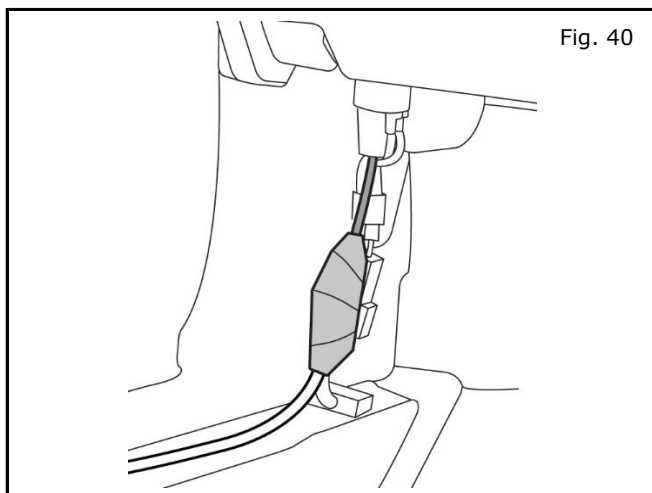
### INSTALLATION PROCEDURE: POSI-TAP



- 32) Finished foam wrap for bundle (strips-side view)
- Make sure finished wrap looks similar to what is shown in Fig. 39.

### CAUTION

**This Accessory Service Connector is for use only with Genuine Nissan (or Infiniti) or Nissan (or Infiniti) approved accessories. Use of this connector with non Genuine Nissan (or Infiniti) or Nissan (or Infiniti) approved accessories or failure to follow the installation instructions for the connector contained in this package may result in damage to the accessory and/or your vehicle. Nissan (or Infiniti) is not liable for loss or damage due to improper installation or the installation of non Genuine or non approved accessories.**



- 33) Plug accessory connector into D-Opt connector.
- Connect positapped ASC to D-OPT connector as shown in Fig. 40.
  - Push posi-taps to rear of wiring harness to avoid interference with dash mask.
- 34) Reinstall lower trim, side mask, and sill. Proceed to page 16 for final assembly check list and pages 17 & 18 for Wifi module test.

## INSTALLATION INSTRUCTIONS - Wifi Kit

### FINAL INSPECTION:

### CAUTION

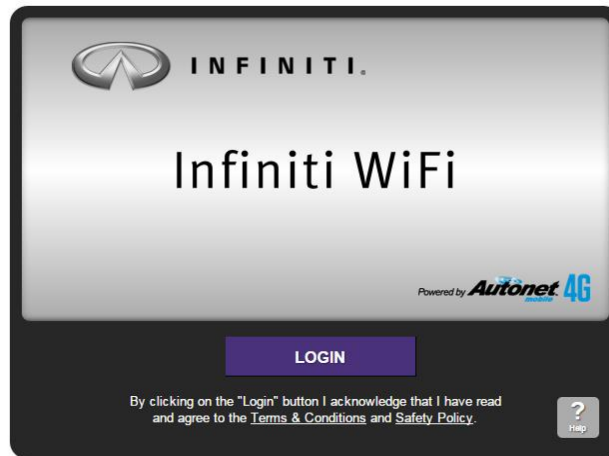
**Use caution when re-installing interior components to avoid damage, scratches, or breaking of mounting clips. Refer to the vehicle service manual for more information.**

- Inspect the installation area for any debris.
- Make sure all trim clips are in their retainers and gently press the trim panels into place.
- Verify re-installed trim parts for proper flush fit (no gap, no waviness, etc.).
- Verify all clips are fully engaged and locked.
- Verify re-installed trim parts are free from cracks, scratches or stress marks.
- Verify vehicle headliner, seat, steering wheel, center console, floor carpets, etc. are not soiled.
- Verify interior and exterior is not damaged.
- Connect the battery negative terminal and tighten the nut to 5.4 N-m (47.8 lb-in).
- Turn ignition switch to "OFF". Wait 10 seconds, then switch to "ON".
- Turn ignition switch to "ON" and confirm proper operation of vehicle systems and verify:
- Re-program radio presets and other vehicle settings to the recorded settings.
  - Confirm proper audio function (AM, FM, SAT, CD and AUX).
  - That there are no new Diagnostic Trouble Codes.
  - Verify all windows and sunroof (if equipped), one touch operation and perform the reset procedure if necessary. Refer to the vehicle service manual for more details.
  - Power Back Door (If equipped). - Turn on the car, push and note if trunk opens.
  - Tail Lamp - Turn on headlamps; open glove box and note whether light goes on.
  - Start vehicle. Note whether vehicle starts.
- Front Sonar Module Connector - Turn on vehicle, put vehicle in 'Drive'. Move slowly towards a large object in front of the vehicle. Note whether alarm sounds.
- Rear Sonar Module Connector - Turn on vehicle, put vehicle in 'Reverse'. Move slowly towards a large object behind the vehicle. Note whether alarm sounds.
- Place the Owner Manual, Quick Reference Guide, and/or other Manual in the glove box.



## FINAL INSPECTION: CHECK OUT

- Turn your car to the ACC position to power up the WiFi module. Wait 3 minutes.
- Open your wireless network list and connect to "Autonet-XXXX" (The last 4 digits will be the last 4 digits of the WiFi serial number).
- Open your browser the following screen appears.



Autonet assumes no responsibility for the configurations, security, or data files on your wireless device resulting from connection to Autonet's network. Anti-virus, privacy, and security protection is the responsibility of the user.

Autonet Mobile recommends that the driver of this vehicle should not attempt to use this system while driving the vehicle.

Do not operate any function that takes your attention away from safely driving your vehicle. Any function that requires prolonged attention should be performed after coming to a complete stop. Always stop the vehicle in a safe location before performing these functions. Failure to do so may result in an accident.

Copyright © 2008 - 2015 Autonet Mobile, Inc. All Rights Reserved.

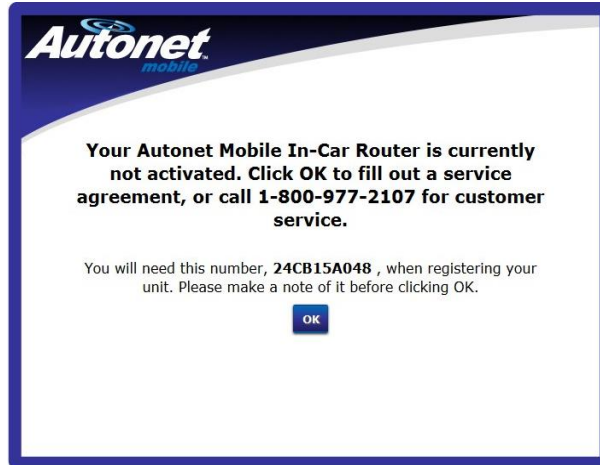
- Click the LOGIN button. If the following screen appears showing no signal while trying to log in there is insufficient cell tower signal. The vehicle may have to be moved outside for better reception.



If you are unable to see the "Autonet-XXXX" in your wireless network list verify power is present to the WiFi module. If power is present and module still does not appear on the wireless network list call Autonet Mobile at 1-800-977-2107

## FINAL INSPECTION: CHECK OUT

- After pressing the 'Login', the following window will open, the WiFi module is now in communication with the cell tower. Installation is complete.



The test verifies data communication via network/telecommunication as indicated by prompting the user to fill out a service agreement.

If the service agreement does not pop up this indicates that the Telecommunications (WiFi/network) failed. Contact Autonet Mobile at 1-800-977-2107

- Place the Activation Guide, and glove box brochure in the glove box.

## **⚠ CAUTION**

- **You must perform seat reprogram procedure when battery terminal is removed.**
- **Power walk-in function will not operate normally if seat reprogram is not performed.**
- **If problem occurs during installation, contact Nissan dealer where product was purchased.**

- Perform seat reprogram procedure, vehicle **should not** be running.
- Activate power walk-in function and let the seat be slid to the front edge.
- If the seat position is already at the front edge, slide the seat backward once and then activate power walk-in function

Posi-Tap™ is protected by patent # 5,228,875 5,695,369 5,868,589 6,692,313 Jap 2881414 Aus 708700 Tia 103534 Can 2204826 Mex 200626 Korea 477279 China Z197105562.9 & others pending.

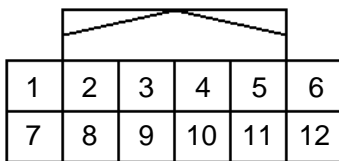
# WiFi

## DRIVERS SIDE

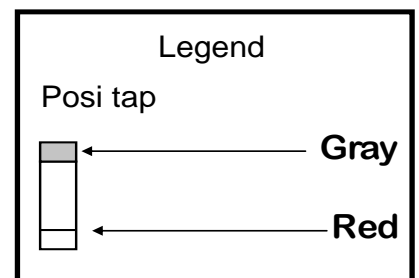
### ACCY\_SER\_CONN



### TH12FW-NH



**Note: Pin location is referenced looking into wire side of connector.**



## CAUTION

This Accessory Service Connector is for use only with Genuine Nissan (or Infiniti) or Nissan (or Infiniti) approved accessories. Use of this connector with non Genuine Nissan (or Infiniti) or Nissan (or Infiniti) approved accessories or failure to follow the installation instructions for the connector contained in this package may result in damage to the accessory and/or your vehicle. Nissan (or Infiniti) is not liable for loss or damage due to improper installation or the installation of non Genuine or non approved accessories.