



INFINITI.

# GENUINE PARTS

## INSTALLATION INSTRUCTIONS

- 1. **DESCRIPTION:** Sport Grille (Radiant Grille Emblem)
- 2. **APPLICATION:** Q50
- 3. **PART NUMBER:** F2310 6HH0C(w/ Camera,w/ Sonar)

### 4. KIT CONTENTS:

Item	Qty.	Description	Part Number
A	1	Sport Grille (Black-RGE)	N/A
B	1	Installation Instruction Replacement Template	MANU0-AW001



A



B

### 5. TOOLS REQUIRED:

- Flathead screwdriver
- Masking Tape
- Needle nose pliers
- Clip Remover
- 10mm Socket & Driver

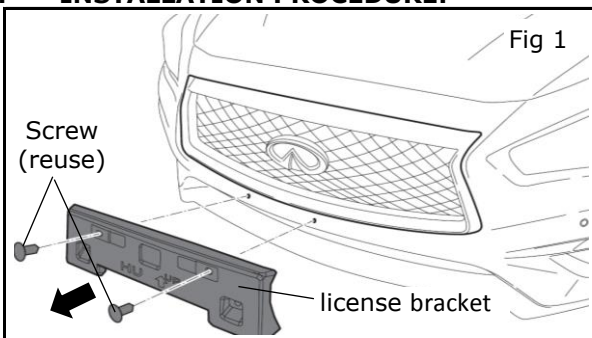
### 6. PRE-INSTALLATION CAUTIONS/NOTES:

- Dealer Installation Recommended.

### 7. INSTALLATION PATTERN:

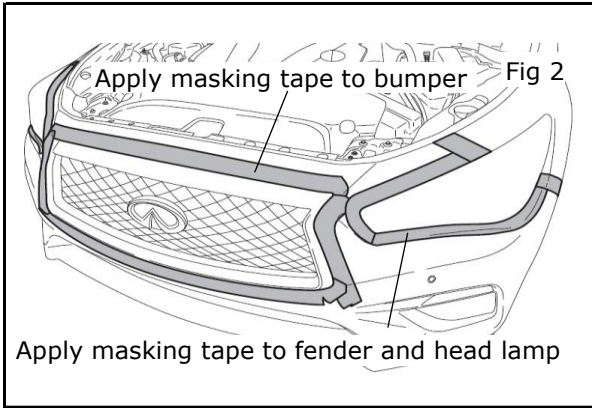
- ① 62310 6HH0C(STD ,w/ Camera,w/ Sonar)  
⇒ F2310 6HH0C(RGE ,w/ Camera,w/ Sonar)
- ② 62310 6HH0K(RGE ,w/ Camera,w/ Sonar)  
⇒ F2310 6HH0C(RGE ,w/ Camera,w/ Sonar)

### 8. INSTALLATION PROCEDURE:

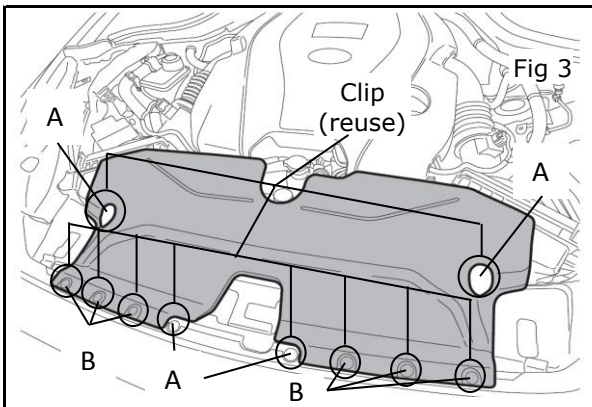


- 1) Remove 2 screws that attach to the license bracket and licence bracket (Keep to reuse).

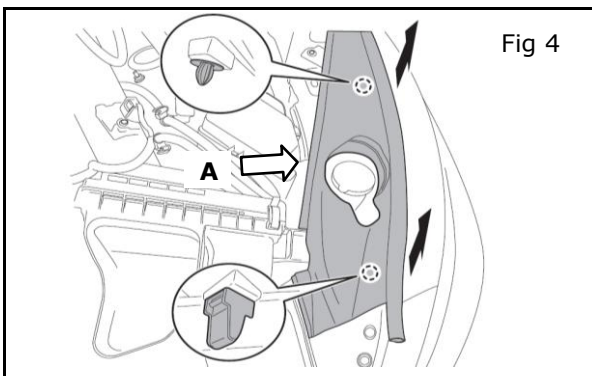
**INSTALLATION PROCEDURE:** (continue)



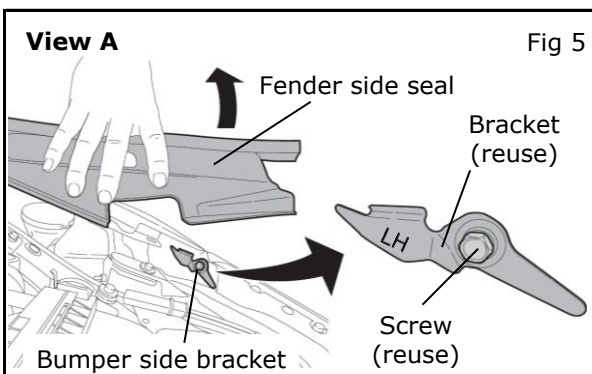
- 2) Open the vehicle engine hood.
- 3) Apply masking tape to front fender, head lamp and bumper, around the grille, to prevent scratches.
- 4) Keep turning the wheel to the left or right direction.
- 5) Disconnect the vehicle battery (negative terminal).



- 6) Remove 10 clips that attach air duct to the vehicle (Keep to reuse).  
※The clip must be careful because the two kinds.  
Clip A(Cross type) : 4 Clips  
Clip B(Triangle type) : 6 Clips



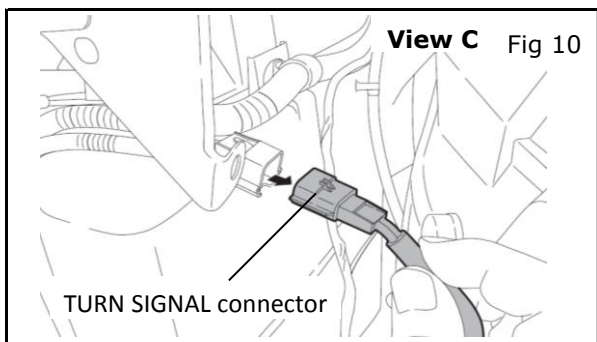
- 7) Partially detach the front end of a two claw of the fender side seal by pulling upward.  
For degradation Hand, or clip remover use.  
(LH/RH, both sides)



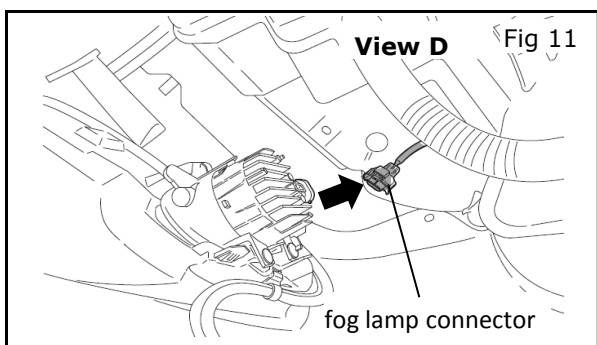
- 8) While pulling upward the fender side seal, detach screw that attaches a front bumper side bracket and remove the bracket (Keep to reuse).  
(LH/RH, both sides)



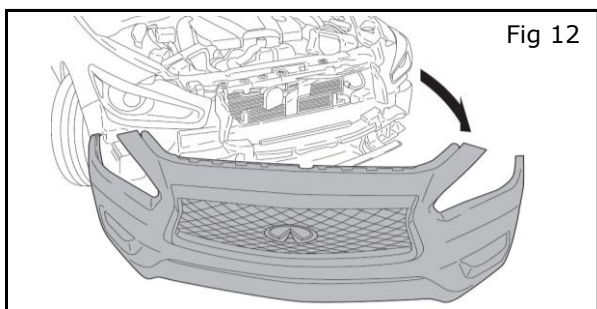
**INSTALLATION PROCEDURE:** (continue)



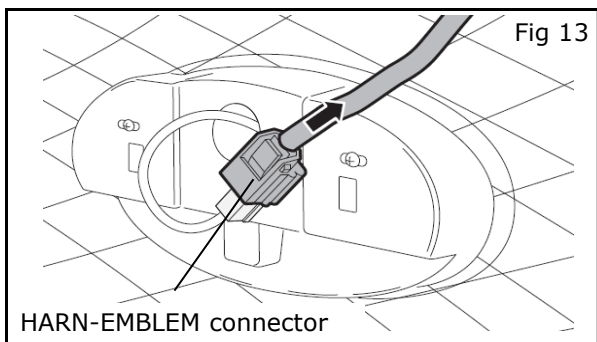
15) During bumper fascia removal, pull bumper forward, pull off the TURN SIGNAL connector. (LH/RH, both sides)



16) During bumper fascia removal, pull bumper forward, pull off the fog lamp connector. (LH/RH, both sides)



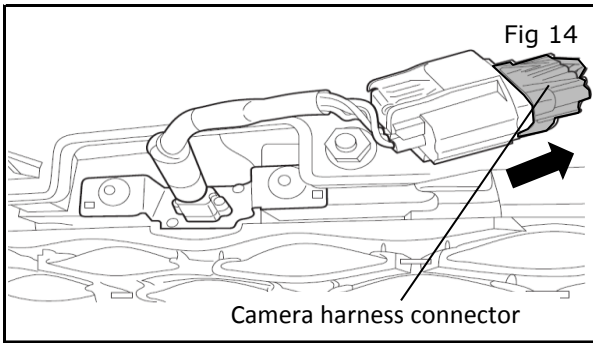
17) Remove the bumper from the vehicle. However, because the RH side wiring can not be removed, Pull out the LH side towards you so you can work.



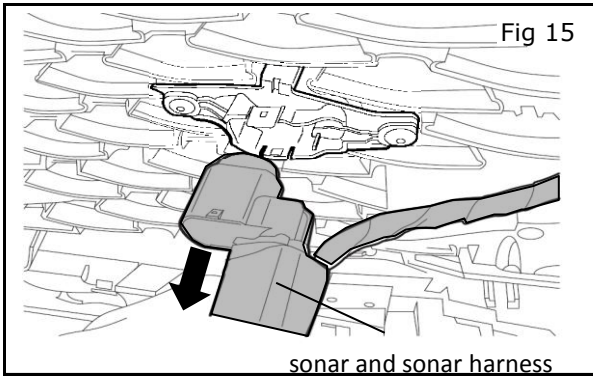
18) Disconnect the HARN-EMBLEM connector.,if equipped.

※In case of Only for pattern ②

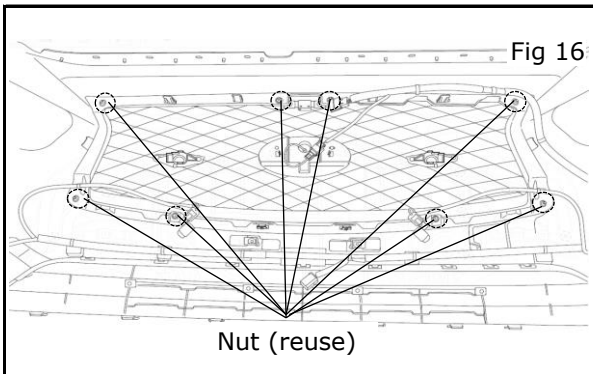
**INSTALLATION PROCEDURE:** (continue)



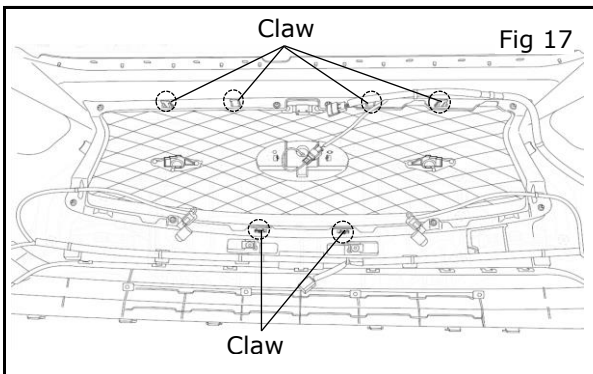
19) Disconnect the front view camera harness connector.



20) Disconnect the sonar and sonar harness from housing. (LH/RH, both sides)

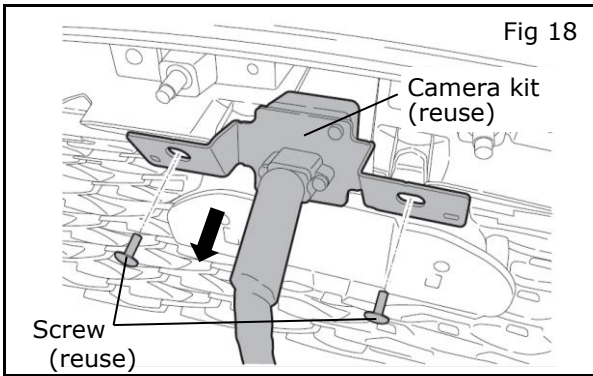


21) Remove 8 nuts that attach the radiator grille.

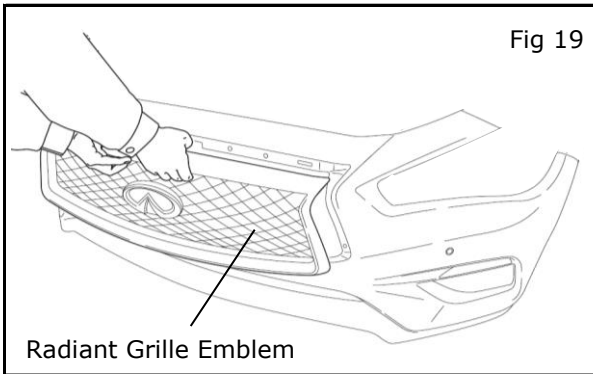


22) By hand, unhook the grille 6 claws from the bumper and slowly remove the grille by pulling the grille away from bumper.

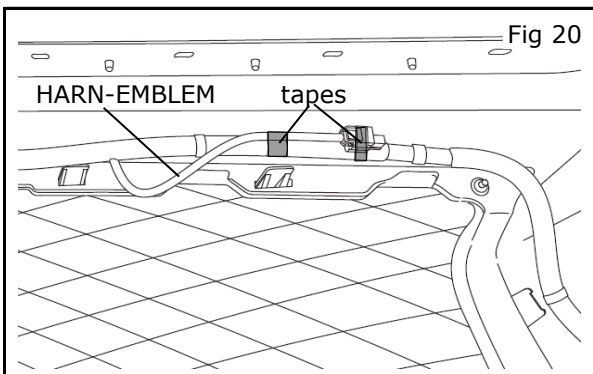
**INSTALLATION PROCEDURE:** (continue)



- 23) Remove 2 screws on camera kit and detach camera kit (Keep to reuse).
- 24) Install camera kit with 2 screws to new Sport Grille.

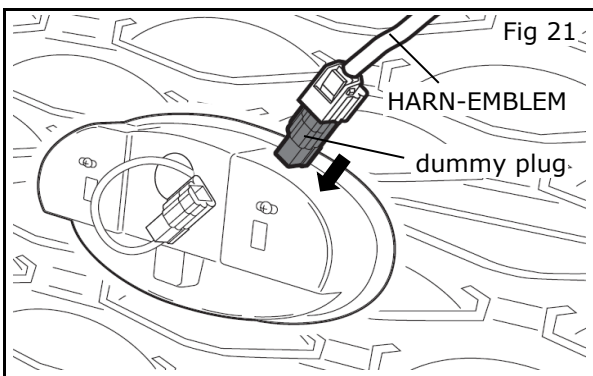


- 25) Align Radiant Grille Emblem claws to the holes in bumper.
- 26) Push Radiant Grille Emblem against the bumper until claws are fully inserted and locked.
- 27) Fix Radiant Grille Emblem with nuts that were removed in 22).



- 28) Break tapes of HARN-EMBLEM (pre-wired).

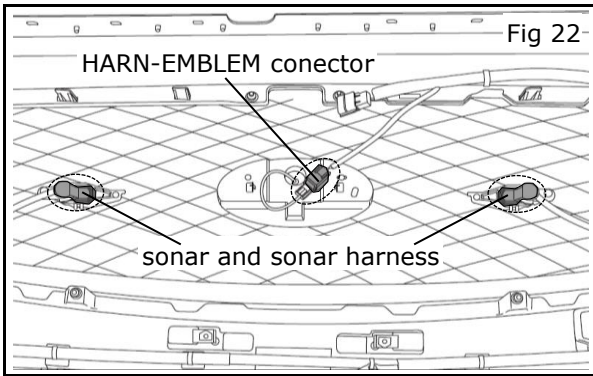
※In case of Only for pattern ①



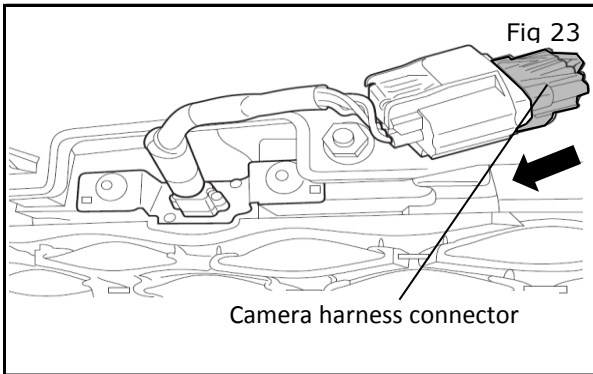
- 29) Remove dummy plug from HARN-EMBLEM connector (pre-wired).

※In case of Only for pattern ①

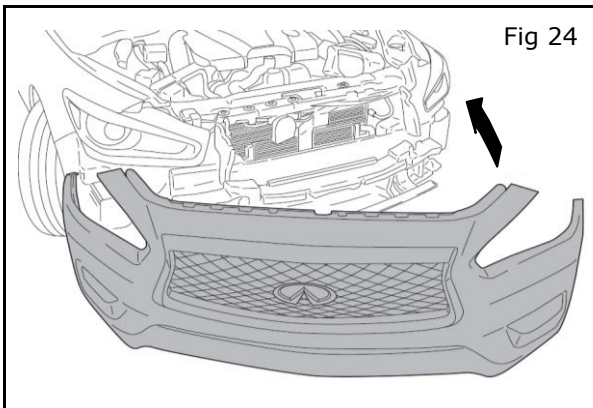
**INSTALLATION PROCEDURE:** (continue)



- 30) Attaching the HARN-EMBLEM connector to EMBLEM connector in Radiant Grille Emblem back side.
- 31) Install sonar and sonar harness to sonar housing.



- 32) Install Camera harness connector to Camera connector.



- 33) Place bumper fascia to vehicle without fixing.
- 34) Attaching the fog lamp connectors and TURN SIGNAL connectors, RH/LH sides.
- 35) Reinstall all removed parts in reverse order.
- 36) Connect the vehicle battery (negative terminal.)
- 37) Refer to REMOVAL AND INSTALLATION (FR BUMPER): Check Clearance and Surface Height Difference.
- 38) Remove any remaining masking tape.
- 39) Close the vehicle engine hood.

**Functional check :**

- Verify re-installed parts for proper flush fit.**
- Please carry out lighting confirmation of Fog Lamp and EMBLEM.**
- Perform camera image calibration. Refer to CALIBRATING CAMERA IMAGE (AROUND VIEW MONITOR) : Special Repair Requirement.**