



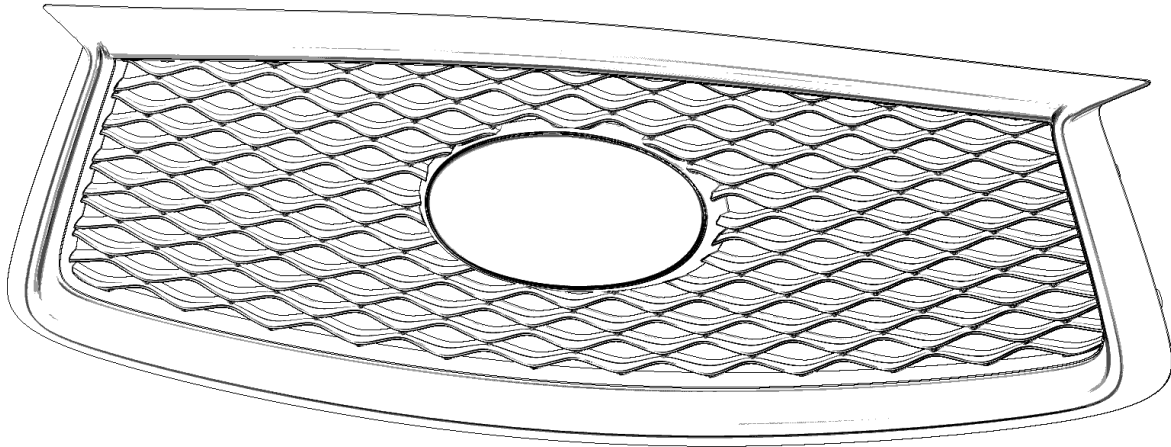
GENUINE PARTS

INSTALLATION INSTRUCTIONS

DESCRIPTION:	Accessory Grille - with & w/o camera
APPLICATION:	QX50
PART NUMBER(S) REQUIRED FOR INSTALLATION:	T99G7 5NA0A (w/o camera), T99G7 5NA1A (w/camera or w/camera & w/ICC) 65820 5NA0A, SEAL ASSY-HOOD, FR - not included in kit above

KIT CONTENTS:

Item	Qty.	Part Description	Service Part Number
A	1	ACCESSORY GRILLE	T99G7 5NAxA



A

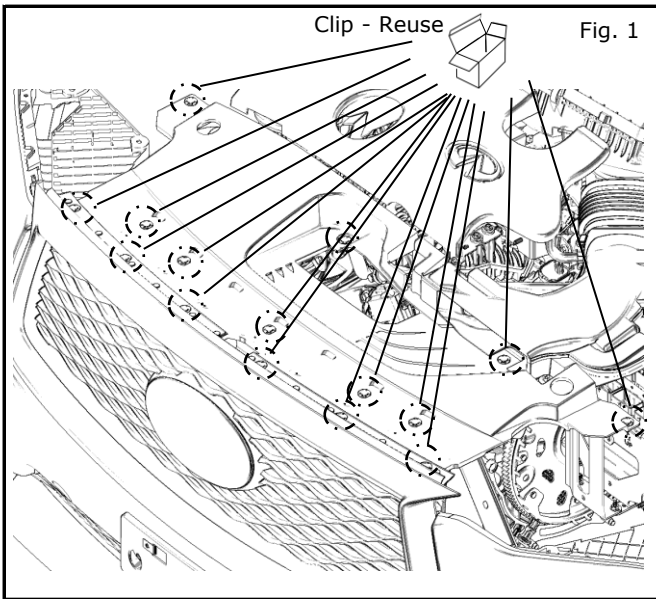
TOOLS REQUIRED:

- Ratchet, 1/4" drive
- Socket, 10mm, 1/4" drive
- Screwdriver, Torx T-20
- Screwdriver, Phillips #2
- Trim Removal Tool, Nylon

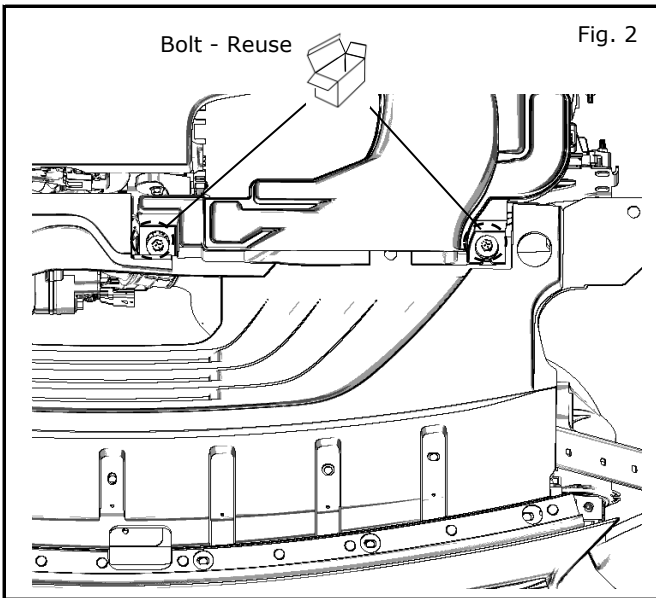
PRE-INSTALLATION WARNINGS, CAUTIONS, CRITICAL STEPS, and NOTES:

- Dealer installation recommended. Instructions may refer to Service Manual.
- Parts to be installed at room temperature.
- Always remove vehicle parts in the sequence directed. Improper procedure can damage parts.
- Take care not to scratch or damage any component during the removal or re-installation process.
- Trim pieces found to have witness marks or broken clips ARE NOT to be reinstalled.
- Store removed parts in a safe manner.
- If a problem occurs during installation, please contact Nissan dealer where product was purchased.

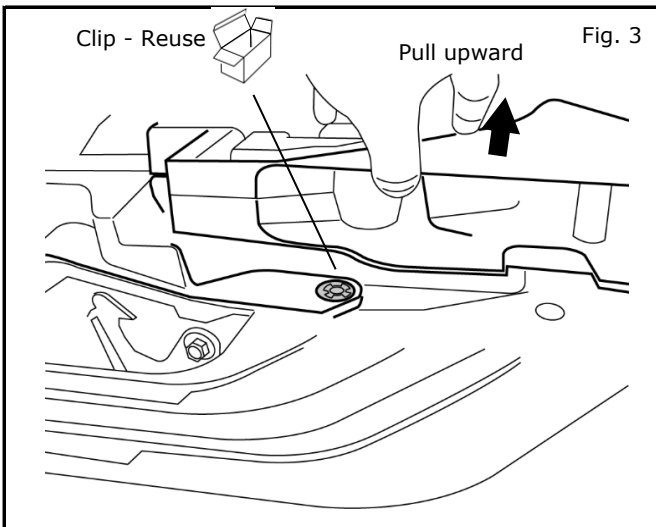
INSTALLATION PROCEDURE:



- 1) Open the hood and remove 15 clips (6 from hood seal and 9 from cover) (keep to reuse).

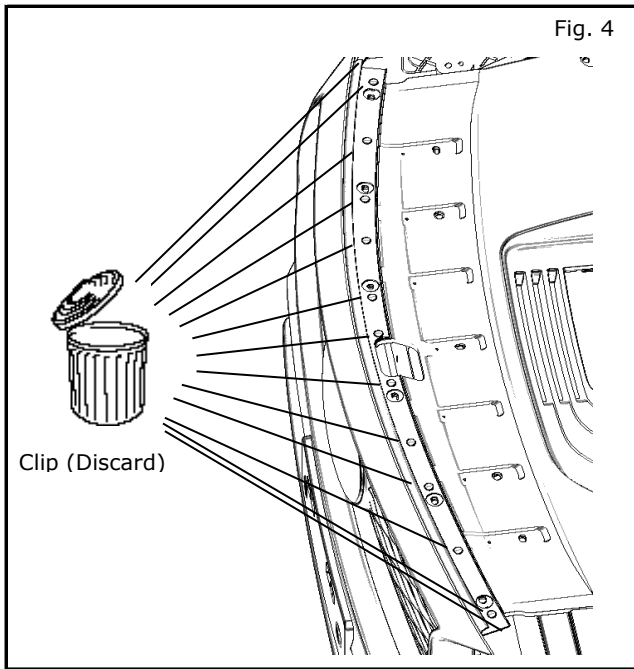


- 2) Remove M6 bolt to loosen air duct assembly (keep to reuse).

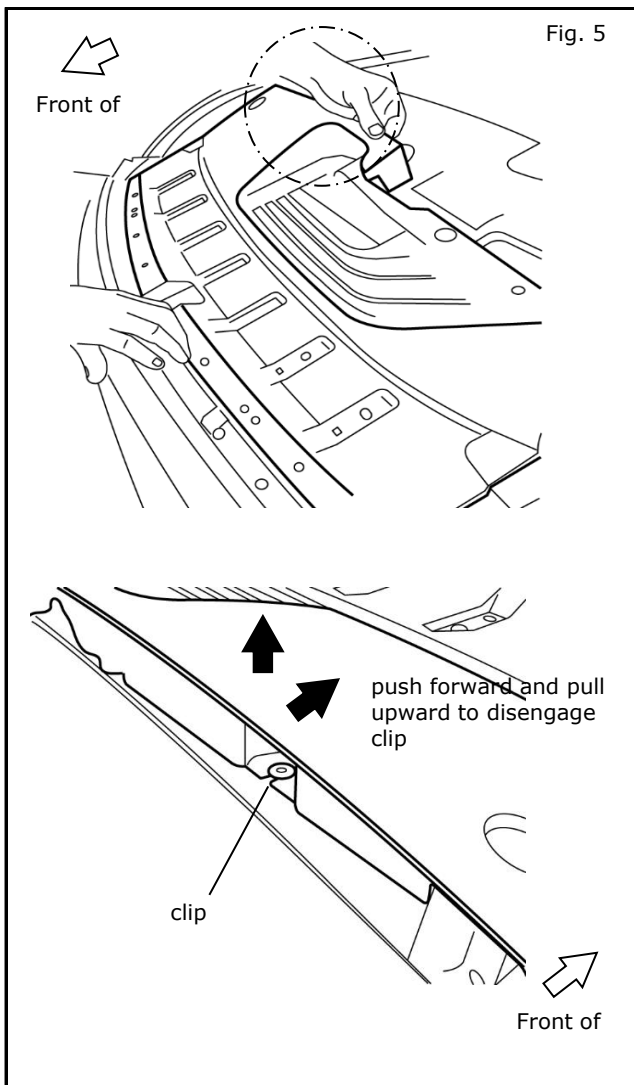


- 3) Pull up on air duct assembly just enough to remove clip located underneath (keep to reuse).

INSTALLATION PROCEDURE: (continue)

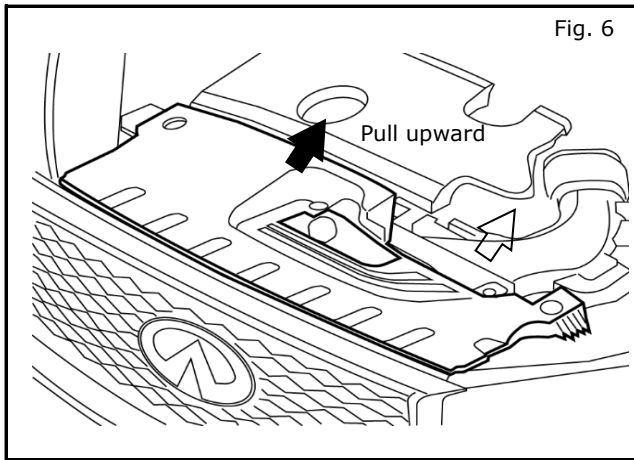


- 4) Pry up and remove 13 clips from hood seal (discard).
- 5) Remove hood seal (discard).



- 6) Push cover forward while pulling up to disengage cover from clip.

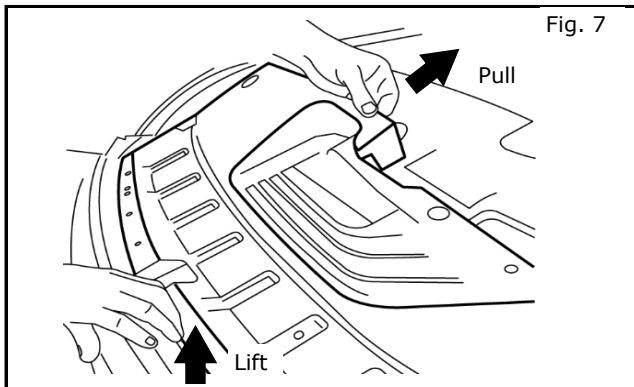
INSTALLATION PROCEDURE: (continue)



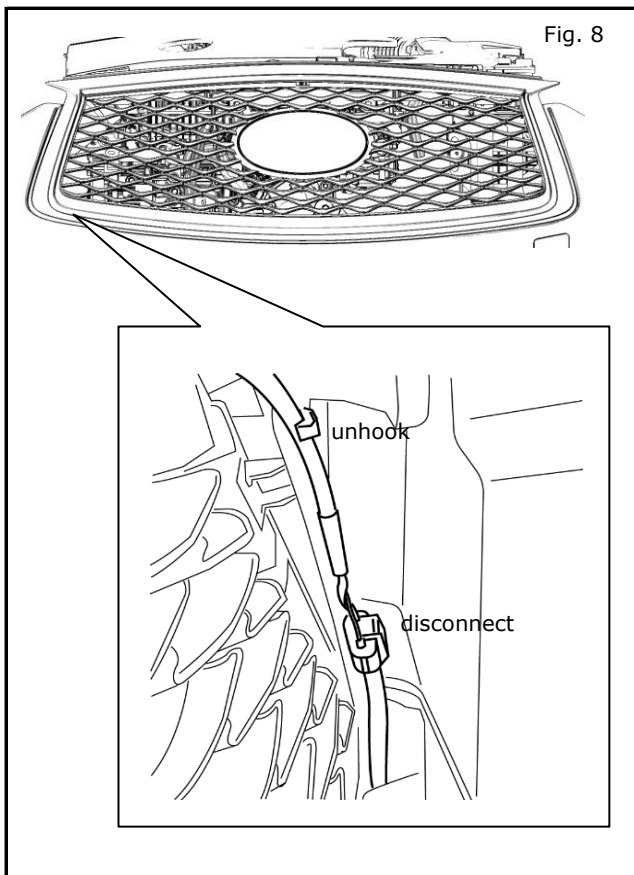
- 7) At same time lift up on front portion of air duct assembly and pull up on rear edge of cover. Only lift air duct assembly just enough so that rear edge of cover is clear of air duct assembly.

NOTE:

Rear edge of cover should now be resting on top of air duct assembly.

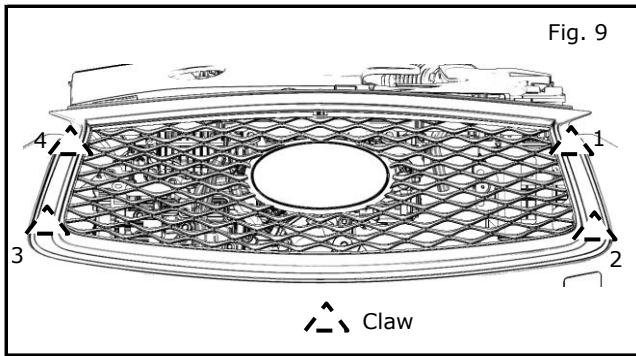


- 8) Lift up and pull rearward on cover while lifting up top edge of grille to remove cover (keep to reuse).
- 9) If grille is equipped with camera proceed to step 10-11. If no camera go to step 12.

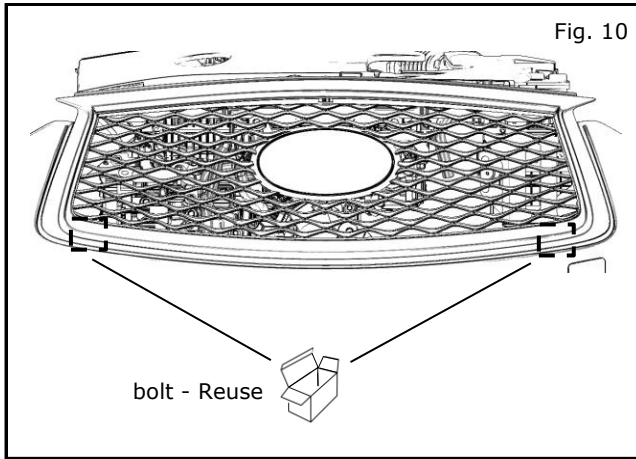


- 10) Disconnect camera harness connector from vehicle harness connector located at RH side from inside grille.
- 11) Unhook camera harness from hook tab located at RH side from inside grille.

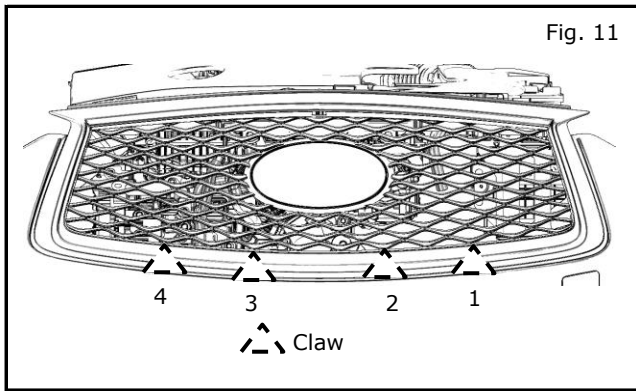
INSTALLATION PROCEDURE: (continue)



12) By hand, unhook grille claws (4 locations) from bumper at RH and LH sides of grille.

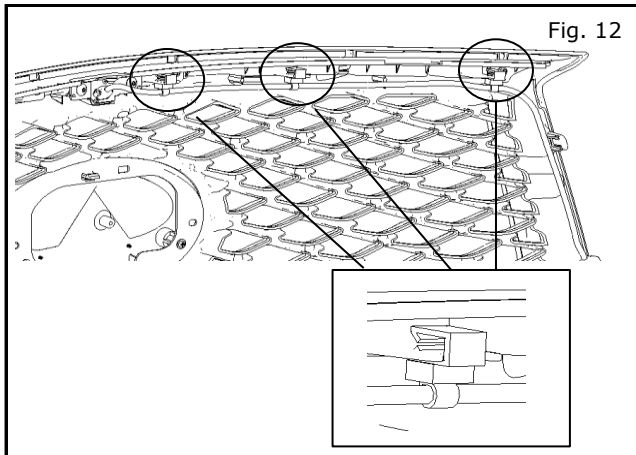


13) Remove 10mm bolt from bottom of grille at RH and LH location (keep to reuse).



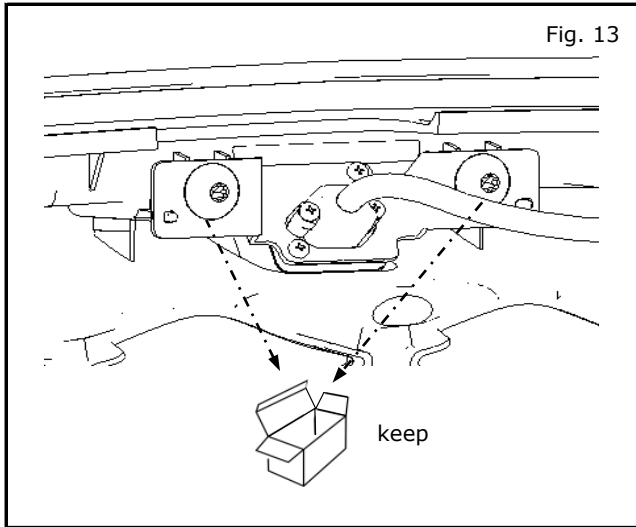
14) By hand, unhook grille claws (4 locations) from bumper at bottom of grille.

15) Slowly remove grille by pulling grille away from bumper.

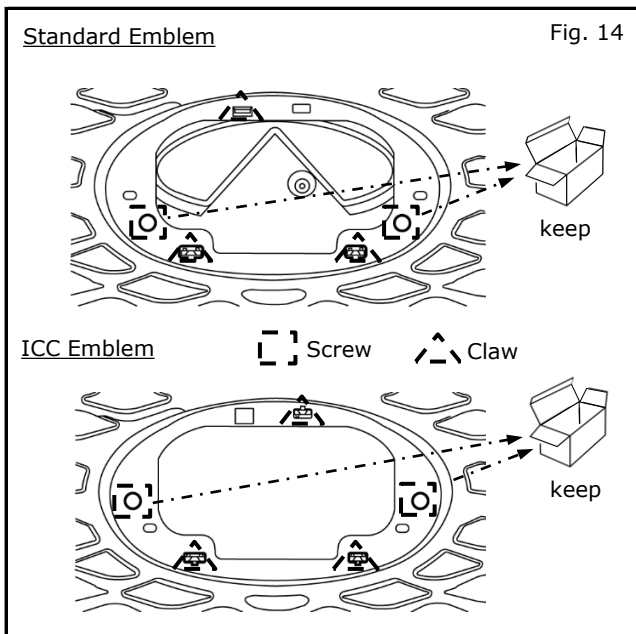


16) Carefully separate clips (x3) on harness from grille.

INSTALLATION PROCEDURE: (continue)



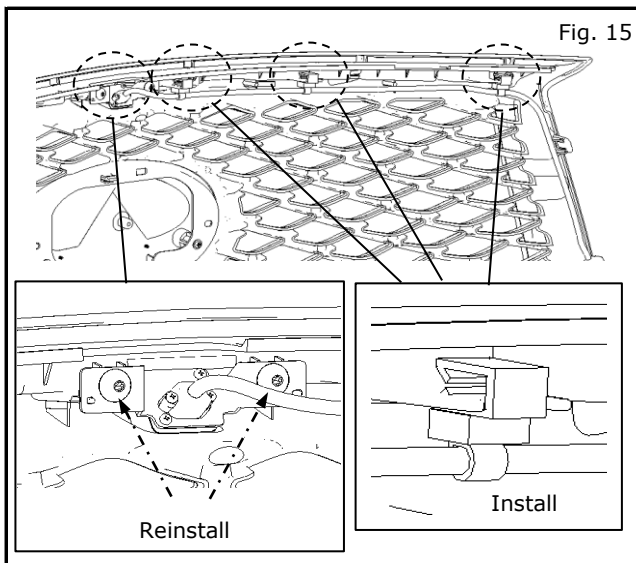
17) On backside of grille remove torx screws (keep) to disconnect camera.



18) Remove standard emblem or ICC emblem from existing grille by unhooking 3 claws and removing 2 screws (keep).

19) Reinstall emblem to accessory grille by engaging claws (3) and tightening screws (2) (Reference tightening torque 1.1 ± 0.2 N-m).

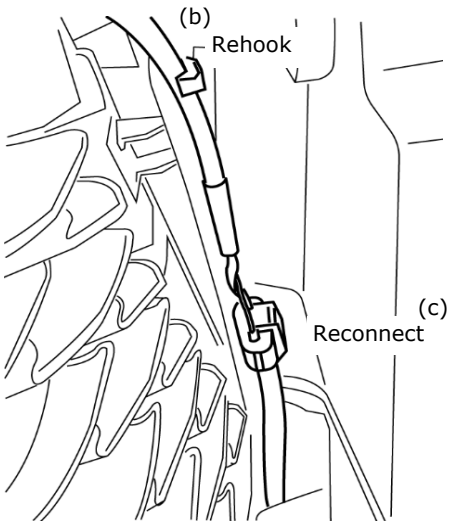
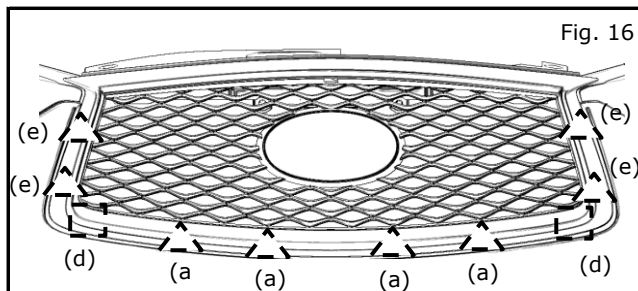
NOTE:
Do not over tighten screws.



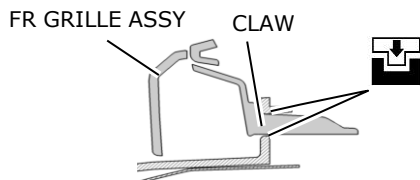
20) Take accessory grille and reinstall camera reusing torx screws.

21) Reattach clips on harness to grille at required locations.

INSTALLATION PROCEDURE: (continue)



CHECK



22) Install accessory grille assembly and reinstall camera harness.

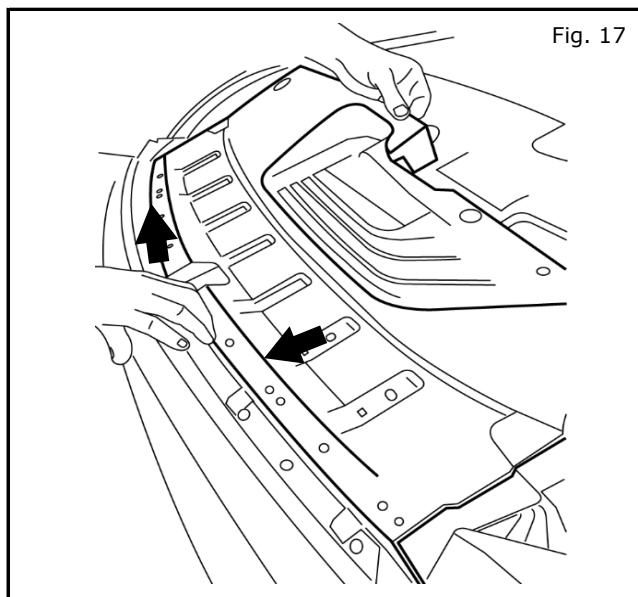
- a) Push 4 bottom claws into bumper.
- b) Rehook camera harness onto hook tab.
- c) Reconnect camera harness connector to vehicle harness connector.
- d) Reinstall 2 bolts (hand start).
- e) Push 4 side claws into bumper (2 RH, 2LH).

23) Fully torque 2 bolts (Reference tightening torque 4.4~6.6 N-m).

NOTE:

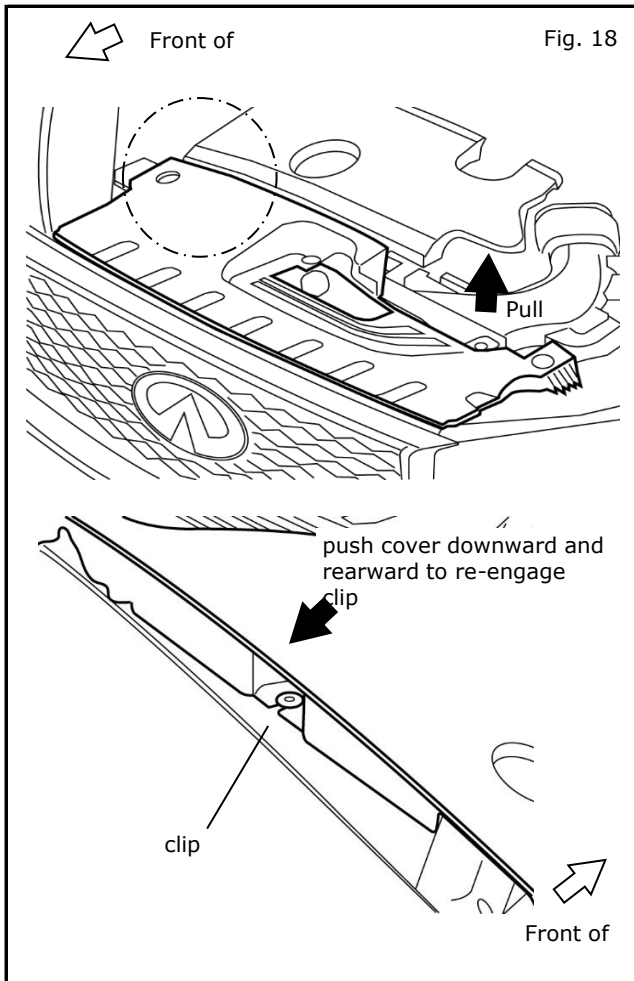
Do not over tighten screws.

24) Check that all fastening points are installed correctly.

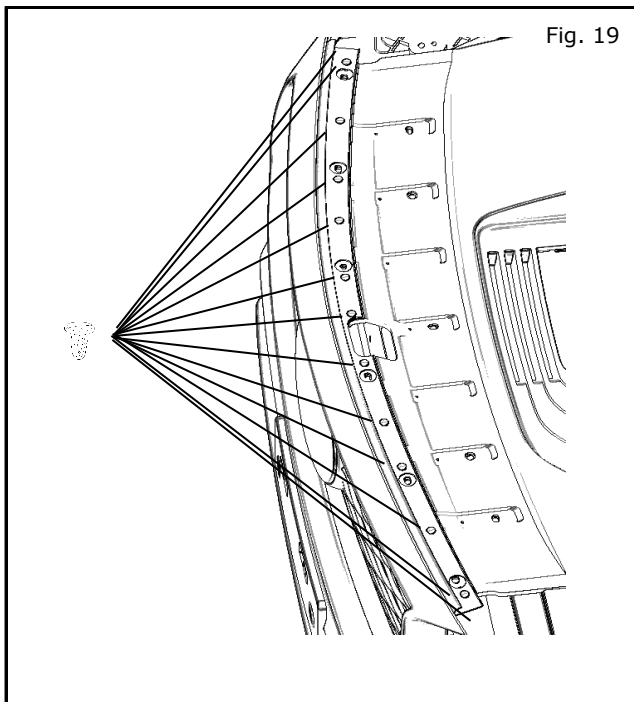


25) Lift up on top edge of grille and slide front edge of cover under grille.

INSTALLATION PROCEDURE: (continue)

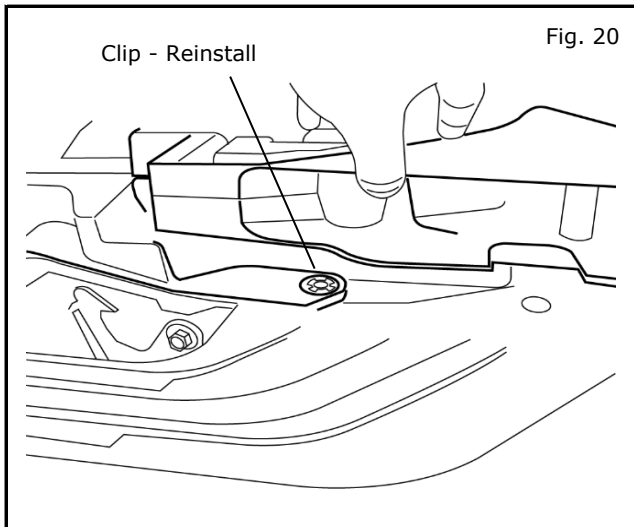


- 26) Push cover rearward while pushing down to re-engage cover to clip.
- 27) Pull up on air duct assembly and place rear edge of cover under air duct assembly.

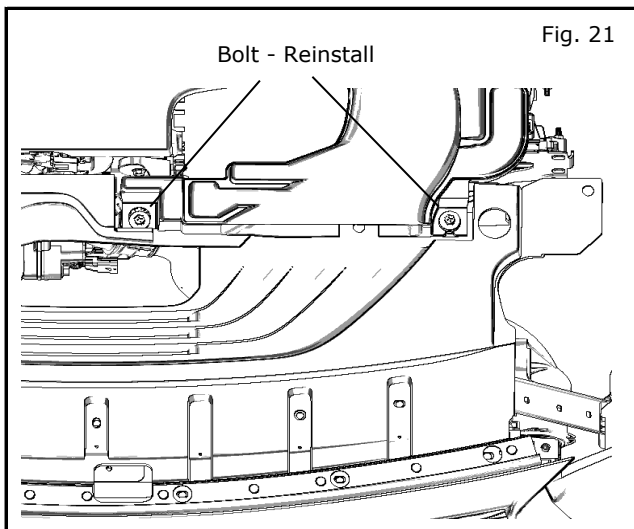


- 28) Install hood seal 65820 5NA0A (not included in kit and must be ordered by dealer).

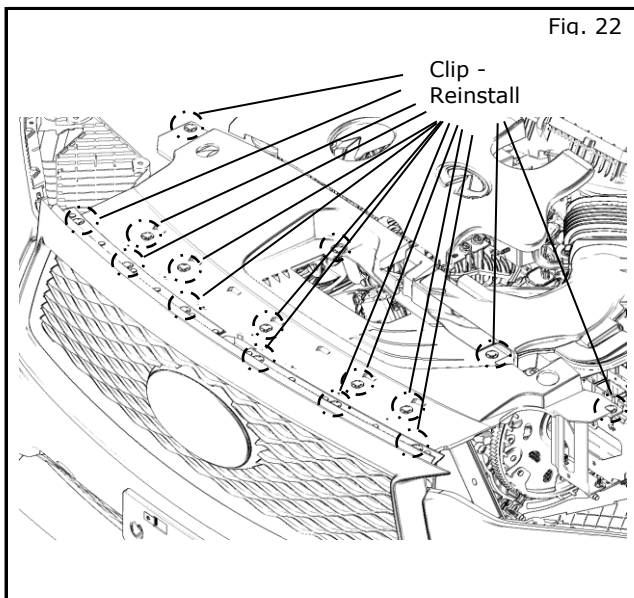
INSTALLATION PROCEDURE: (continue)



29) Pull up on air duct assembly just enough to reinstall clip.



30) Reinstall M6 bolt to air duct assembly.



31) Reinstall 15 clips (6 from hood seal and 9 from cover).

32) If grille equipped with front camera it is important to perform procedure "CALIBRATING CAMERA IMAGE (AROUND VIEW MONITOR) : Description" per service manual.