



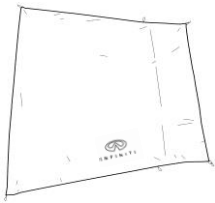
GENUINE PARTS

INSTALLATION INSTRUCTIONS

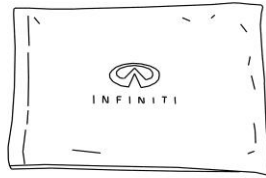
DESCRIPTION:	Rear Cargo Cover
APPLICATION:	Infiniti QX60
PART NUMBER:	999N3 RZ010

KIT CONTENTS:

Item	Qty.	Part Description	Service Part Number
	1	Rear Cargo Cover	999N3 RZ010
A	1	Rear Cargo Cover	---
B	1	Storage Bag (Infiniti)	---
C	1	Installation Instructions Replacement Template	---



A



B



D

TOOLS REQUIRED:

- No tools required.

PRE-INSTALLATION WARNINGS, CAUTIONS, CRITICAL STEPS, and NOTES:

- Cover is not intended for objects to be placed on top.

NOTE:

Take proper care to install cargo cover with the correct mounting locations as shown. Using incorrect attachment locations could result in damage to the vehicle.

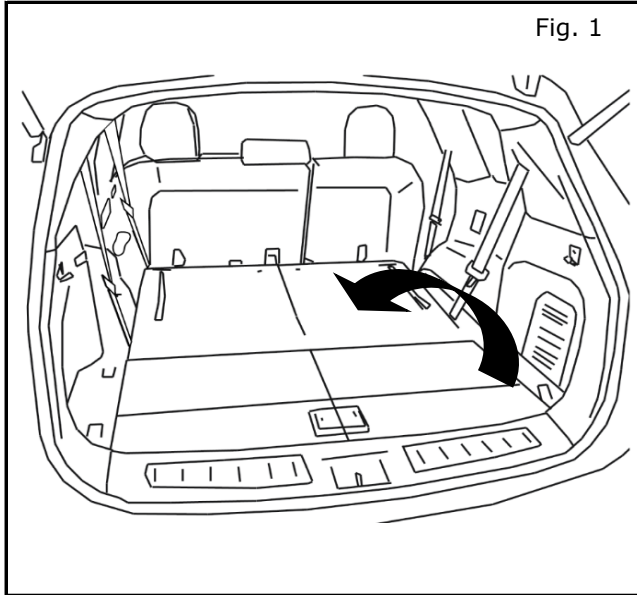
⚠ WARNING

Your cargo cover is designed to cover normal cargo contents. Flammable or dangerous materials should not be transported in your vehicle at any time.

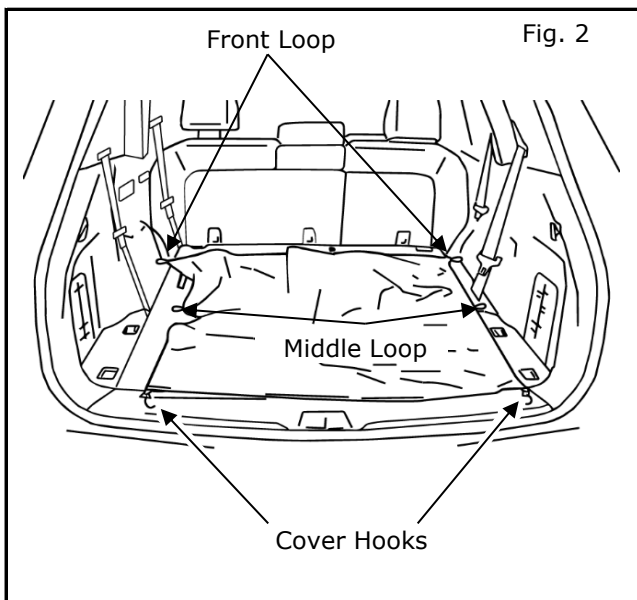
⚠ CAUTION

Cargo cover does not provide load restraint.

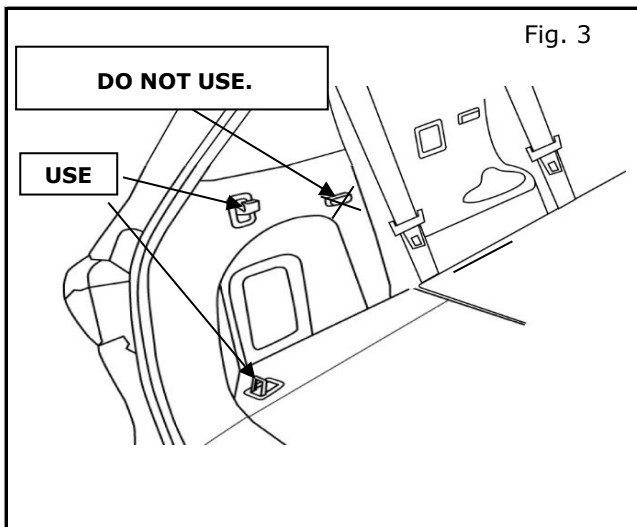
INSTALLATION PROCEDURE:



- 1) Fold down headrests and 3rd row seats. See Fig. 1.



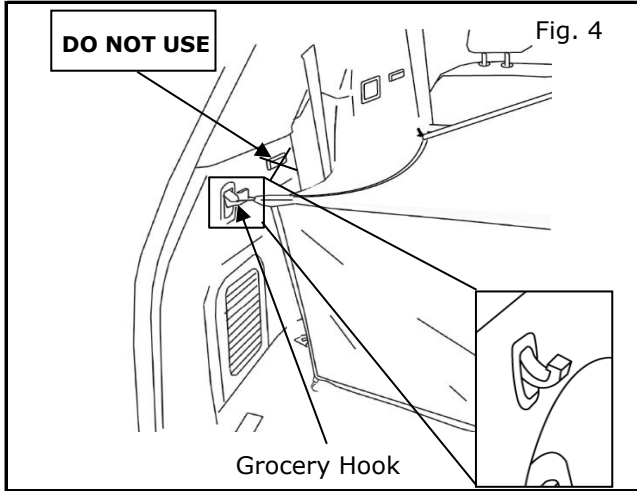
- 2) Unfold cover in cargo area, keeping hooks towards rear of vehicle. See Fig. 2.



- 3) In rear cargo area, locate rear clips points. See Fig. 3.

NOTE:
Do not use clip location marked "DO NOT USE" in Fig. 3. Damage to the vehicle may occur.

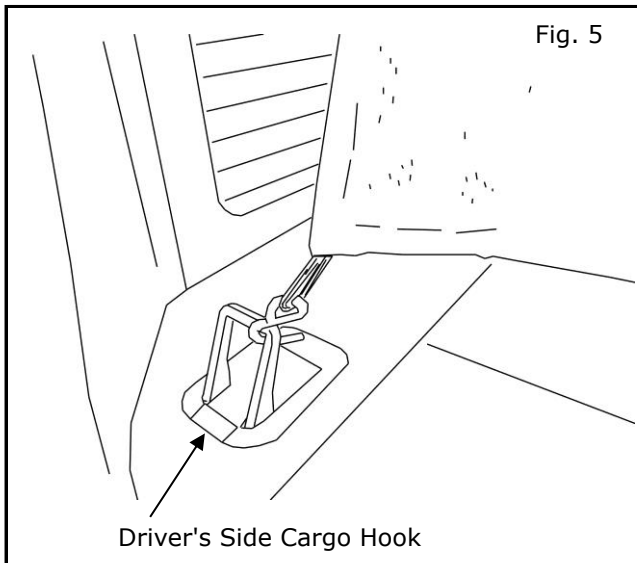
INSTALLATION PROCEDURE:



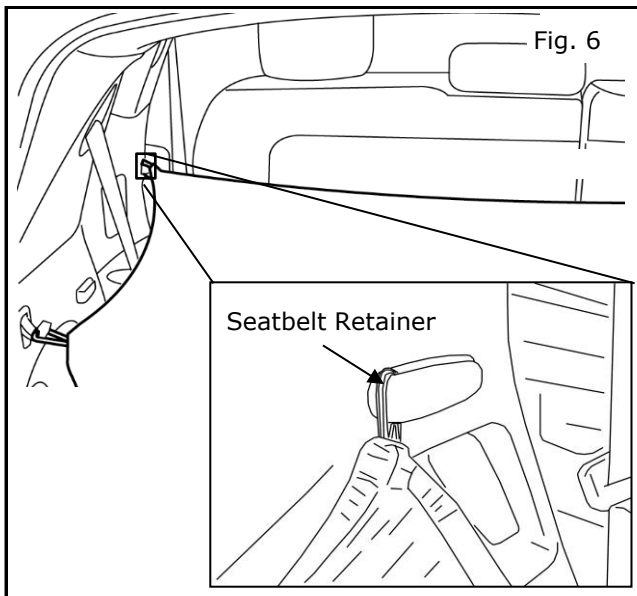
- 5) Attach middle loop to grocery hook. See Fig. 4.
- 6) Repeat step 5 for passenger side.

NOTE:

Do not use clip location marked "DO NOT USE" in Fig. 4. Damage to the vehicle may occur.



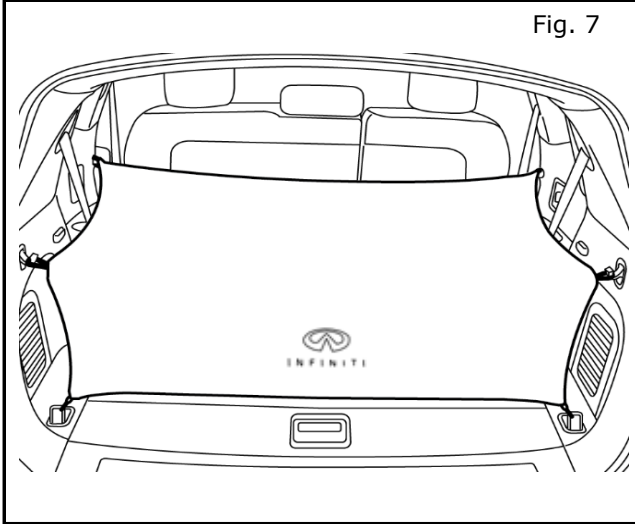
- 7) Attach hook at bottom of cover to rear cargo hook on floor of driver's side. See Fig. 5.
- 8) Repeat step 7 for passenger side.



- 9) Attach Front loop
 - a) Open 2nd row driver side door.
 - b) Attach front loop to seat belt retainer on driver side as shown in Fig. 6.

INSTALLATION PROCEDURE:

Fig. 7



- 10) Repeat step 9 for passenger side. See Fig. 7.