

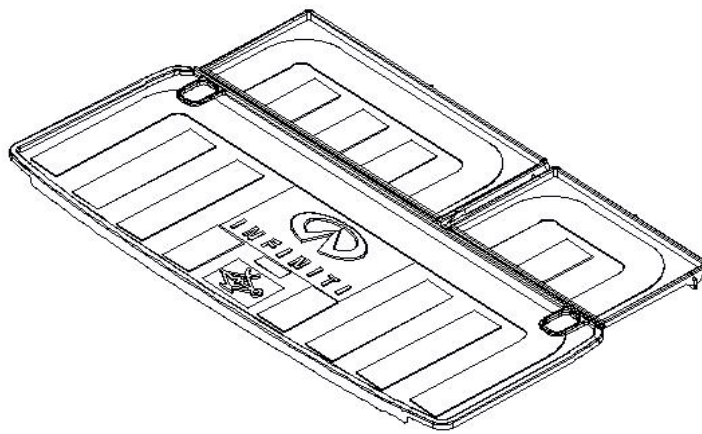
# GENUINE PARTS



## INSTALLATION INSTRUCTIONS

1. **DESCRIPTION:** Cargo Tray
2. **APPLICATION:** QX56
3. **PART NUMBER:** 999C3 3X000BK & 999C3 3X002BE
4. **KIT CONTENTS:**

Item	QTY	Description
A	1	Cargo Tray



A

5. **TOOLS REQUIRED:**
  - N/A

6. **PRE-INSTALLATION CAUTIONS/NOTES:**

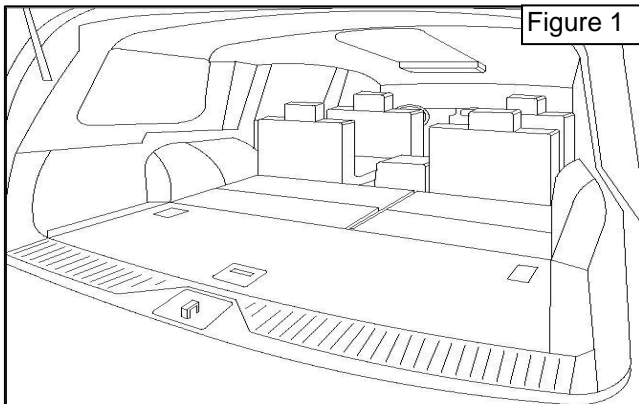
- To maintain the luster of your cargo tray, clean with a cloth as required using standard automotive vinyl, leather and upholstery cleaners or soap and water.

### **WARNING**

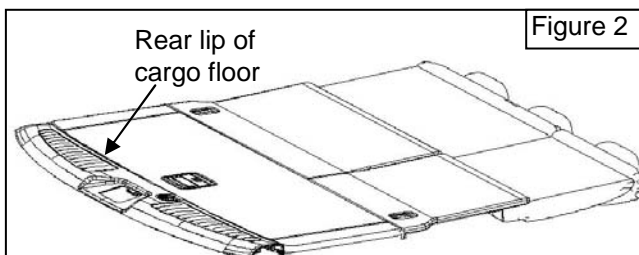
- Your tray is designed to transport normal cargo contents. Flammable or dangerous materials should not be transported in your vehicle at any time. If any corrosive chemicals are spilled on your tray it should be cleaned as described above

## INSTALLATION INSTRUCTIONS - Cargo Tray

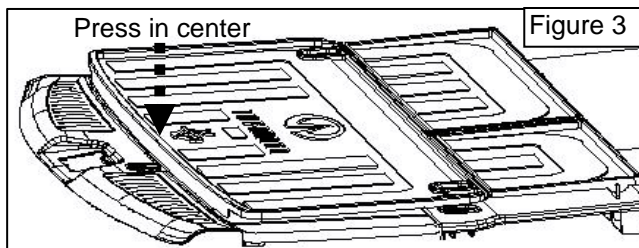
### 7. INSTALLATION PROCEDURE:



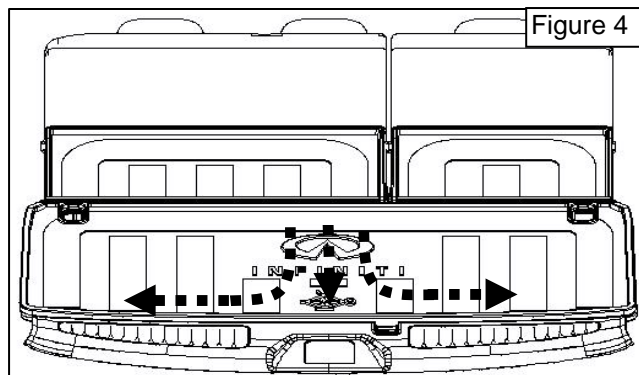
- 1) Fold the 3rd row seats down flat (**See Figure 1**)



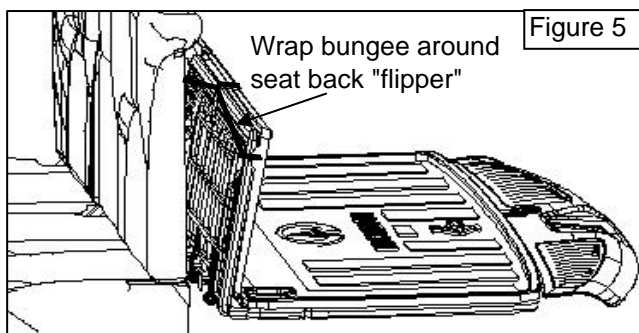
- 2) Place tray into cargo area, aligning the rear lip of the tray with the rear lip of the cargo floor (**See Figure 2**)



- 3) Starting at the center of the rear edge of the tray, press down so the rear lip of the tray slides between the rear sill and the cargo floor (**See Figure 3**)



- 4) Next, press down on the rear edge and follow rear edge all the way out to both sides (**See Figure 4**)



- 5) Starting with the driver side pull the "flipper" panel away from the seat back and wrap the bungee cord (already supplied on tray) around the back side of the "flipper" panel. Repeat on passenger side (**See Figure 5**)