

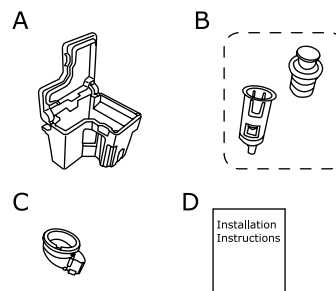
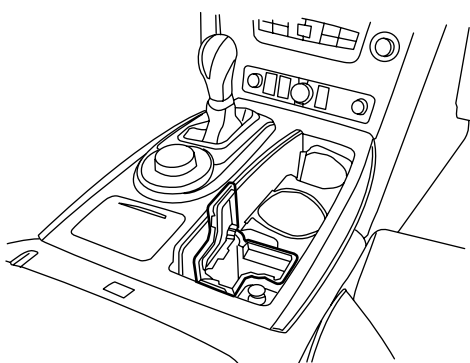


GENUINE PARTS

INSTALLATION INSTRUCTIONS

1. **DESCRIPTION:** Smokers Kit
2. **APPLICATION:** QX (2011)
3. **PART NUMBER:** F8800 - 1LA0A
4. **KIT CONTENTS:**

Item	Qty.	Description	Part Number
A	1	Ashtray ASSY	
B	1	Cigarette Lighter ASSY	
	1	- Cigarette Lighter	
	1	- Socket For Cigarette Lighter	
C	1	Ring Lighting	
D	1	Installation Instructions	



5. **TOOLS REQUIRED:**
 - Remover

6. **PRE-INSTALLATION CAUTIONS/NOTES:**

CAUTION

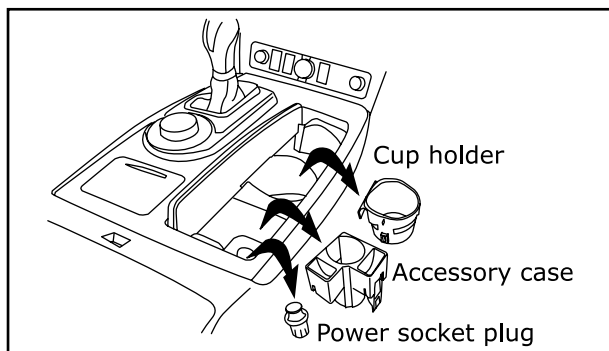
- Operate carefully to prevent from damaging other parts of the automobile while installing or removing the parts.
- Install the kit only with the manner instructed in the installation instructions.

NOTE

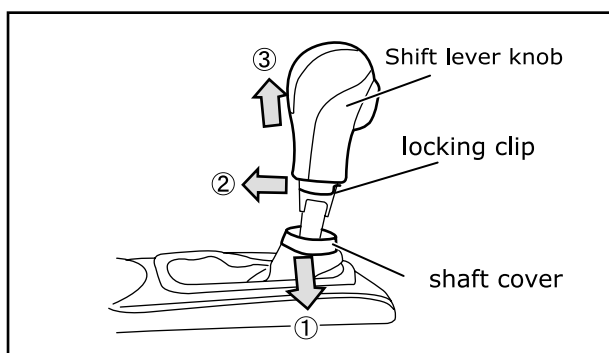
- Thank you for your choosing INFINITI original parts. Please refer to this installation instructions to install the kit correctly.
- In order to grasp the overall procedure, read through this installation instructions before you start.
- To ensure the product's stable operation, please ask the nearest INFINITI dealer to install this kit.

INSTALLATION INSTRUCTIONS - Smokers Kit

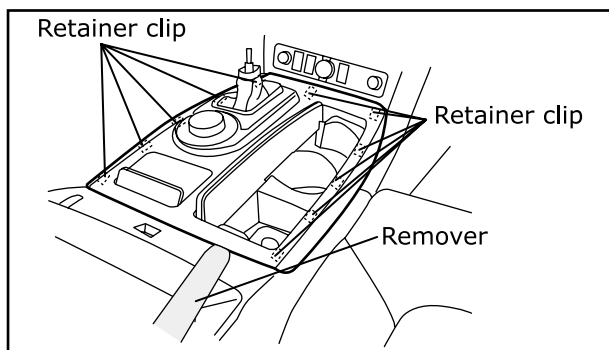
7. INSTALLATION PROCEDURE:



1. Record preset value of Radio set.
2. Place Shift selector in N range, turn Key switch off and disconnect negative (-) terminal from battery.
3. Remove Accessory case and Power socket plug from Console finisher ASSY.
(Removed parts will not be re-installed)
4. Remove Cup holder from Console finisher ASSY.
(Cup holder will be re-installed.)



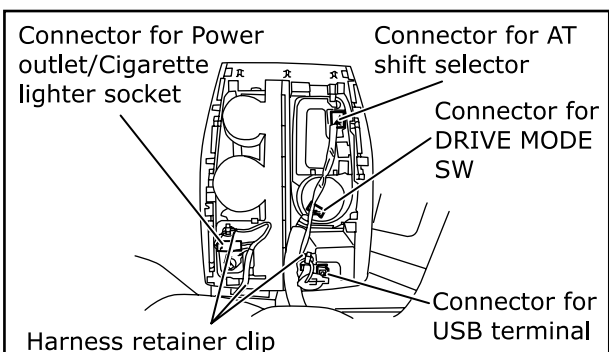
5. Remove the shift lever knob.
 - ① Slide down the shaft cover.
 - ② Pull off the locking clip to backward.
 - ③ Pull off the shift lever knob.



6. Remove of Console finisher ASSY
 - ① Push Console finisher ASSY forward to make gap and put Remover into gap. Detach Retainer clip on right side and then detach Retainer clip on left side to remove Console finisher ASSY.

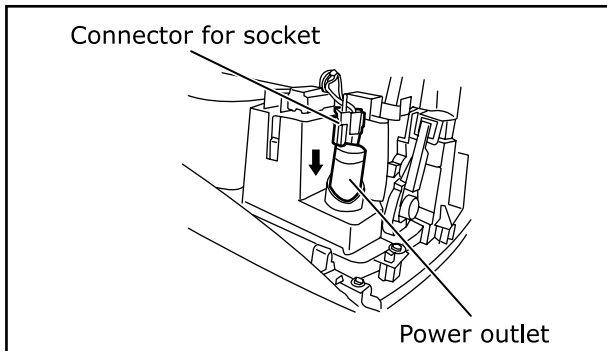
CAUTION

- Do not force the Console finisher assy when removing it.
- Clips may be deformed, or fall.



- ② Disconnect connectors for AT shift selector (9 terminals), DRIVE MODE switch (24 terminals), USB terminal (4 terminals) and Power outlet/Cigarette lighter socket (3 terminals).
- ③ Remove Harness retainer clips (3 places).

INSTALLATION INSTRUCTIONS - Smokers Kit

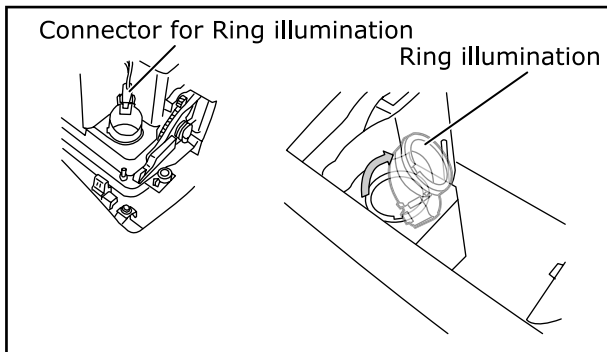


7. Remove of Power outlet

- ① Remove connector for Socket (2 terminals).
- ② Remove Power outlet.
(Power outlet may be installed tightly, please pay attention when removing.)

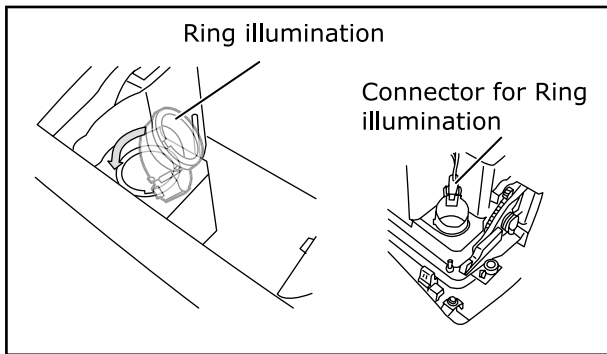
CAUTION

- Place the Console finisher assy on a clean and soft surface during assembling and disassembling the unit.



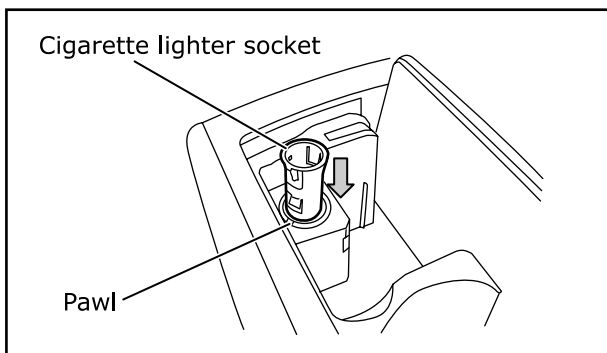
- ③ Remove connector for Ring illumination.
- ④ Remove Ring illumination.
(Removed Ring illumination will not be reinstalled.)

INSTALLATION INSTRUCTIONS - Smokers Kit

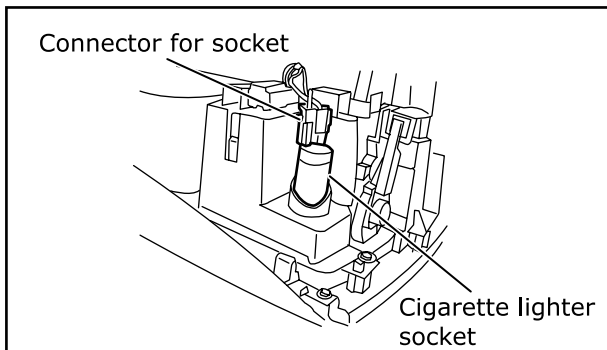


8. Restoration of Console finisher ASSY

- ① Install Ring illumination C, which is packed as a component part.
- ② Connect connector for Ring illumination.



- ③ Adjust position of nail of Cigarette lighter socket on Cigarette lighter ASSY B and cut part of Ring illumination C and install.

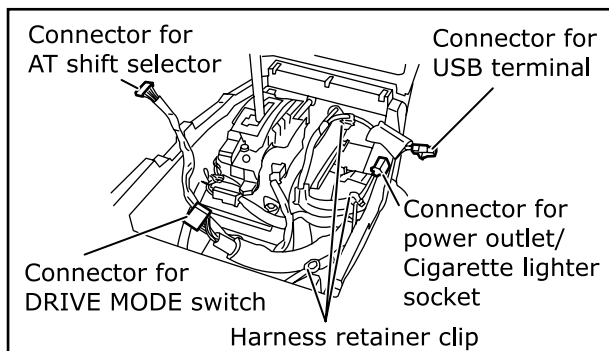


- ④ Connect connector for socket

⚠ CAUTION

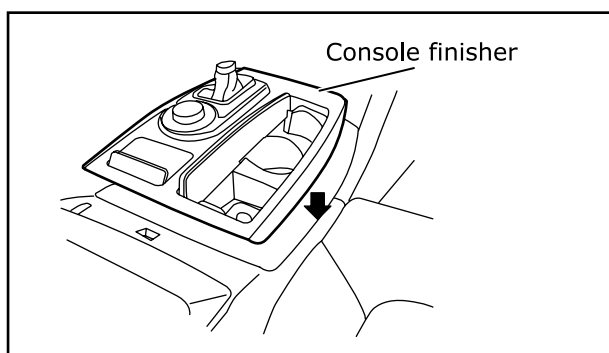
- Please pay attention to prevent removing of socket for Cigarette lighter from Ring illumination when connecting connector.

INSTALLATION INSTRUCTIONS - Smokers Kit

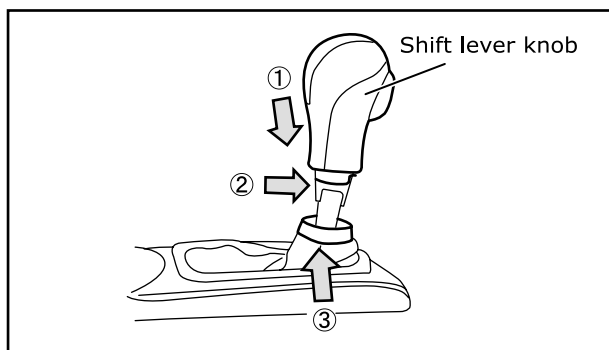


9. Restoration of Console finisher ASSY

- ① Connect connectors for AT shift selector (9 terminals), DRIVE MODE switch (24 terminals), USB terminal (4 terminals) and Power outlet/Cigarette lighter socket (3 terminals).
- ② Restore Harness retainer clips (3 places).

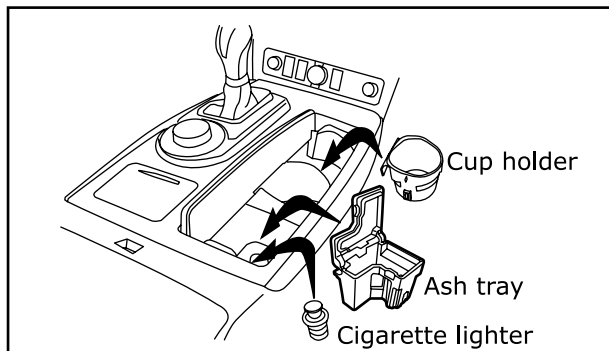


- ③ Restore Console finisher ASSY.



10. Restoration of Shift selector knob

Attach the shift lever knob by the exact reverse order of detaching it previously.



11. Installation of Ash tray

- ① Install Ash tray ASSY A.
- ② Install Cigarette lighter in Cigarette lighter ASSY B.
- ③ Reinstall Cup holder.

12. Connect negative (-) terminal to battery.
13. Adjust Radio and Clock.

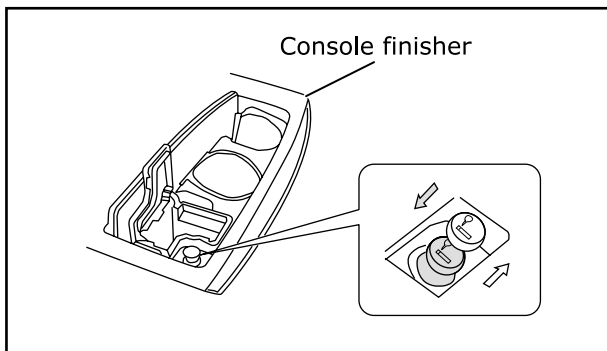
INSTALLATION INSTRUCTIONS - Smokers Kit

8. FINAL INSPECTION:

CAUTION

- Make sure Ring illumination for Cigarette lighter will be lighted.
- Check if the A/T shift position indicator lamp is on.
- Check if the cigarette lighter is fully operational.
- Look close to the outer shell of the A/T finisher assy and trimming lines to see if there is any crack, scratch or dent.

9. CAUTIONS IN OPERATIONS:



Cigarette Lighter

- Cigarette lighter is usable when Ignition switch is in ACC or ON position.
- Press Cigarette lighter and wait about 10 seconds.
- Pull out and use when Cigarette lighter returned to original position.

CAUTION

- Do not operate the cigarette lighter while the automobile is running. It may cause unforeseen accidents by distracting driver's sight.
- Do not touch the metal parts of the cigarette lighter. It may cause burn.
- Do not keep holding down the cigarette lighter to the socket to prevent it from over heating.
- Do not use cigarette lighter from any other automobile, nor connect any appliances to the cigarette lighter socket other than INFINITI original products to prevent from unforeseen burn and fire.
- Cigarette lighter creates extreme heat and may deform or burn resin parts and products when contacted directly.
- Hold the edge of the ashtray when detaching.
- Push in the ashtray to return it to its position.
- Confirm the matches and cigarettes put off completely before closing the lid. Do not dispose any burnable object such as paper to the ashtray to prevent from possible fire.
- Cigarette creates extreme heat and may deform or burn resin parts and products when contacted directly other than to the ashtray.