



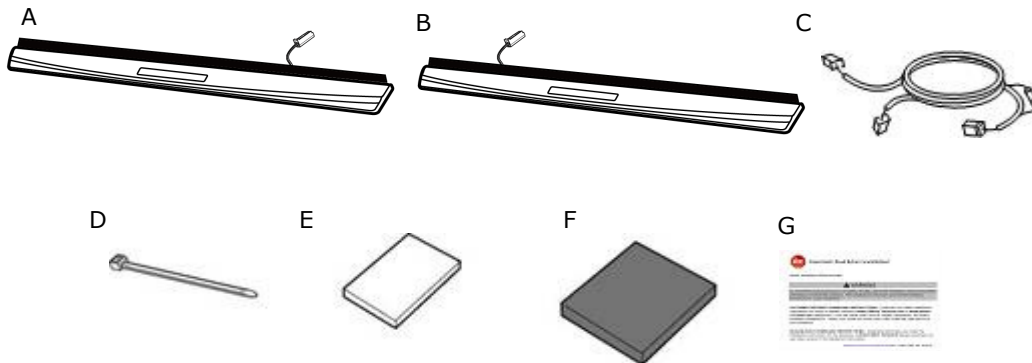
INFINITI

GENUINE PARTS

INSTALLATION INSTRUCTIONS

1. **DESCRIPTION:** Illuminated Kick Plate
2. **APPLICATION:** G37 CONVERTIBLE (2012) Starting Vin No. JN1CV6FE5CM200439
3. **PART NUMBER:** G6950 1VZ0A
4. **KIT CONTENTS:**

Item	QTY	Description
A	1	Kick plate LH
B	1	Kick plate RH
C	1	Harness
D	11	Tie wrap
E	8	Urethane foam tape
F	9	Flat wire protector
G	1	Installation Instructions Replacement Template



5. TOOLS REQUIRED:

- Nylon Removal Tool
- Wire cutter
- 10mm Socket and driver
- 14mm socket and driver
- Fish tape
- Masking tape
- Flash light
- Scissors
- Soap and water
- 50/50 alcohol & water solution
- Soft non linting towel

INSTALLATION INSTRUCTIONS - Illuminated Kick Plate

6. PRE-INSTALLATION CAUTIONS/NOTES

⚠ CAUTION

- Dealer Installation Recommended. Instructions refer to Service Manual.
- Please read this instruction carefully before installing this product for correct installation.
- Please DO NOT use or install the part in ways other than what is described in this instruction manual.
- If problem occurs during installation, please contact Nissan dealer where you purchased the product.

- 1) Apply Parking Brake.
- 2) Make sure the shift lever is engaged in "P" or "N" position.
- 3) Record customer Radio Presets.

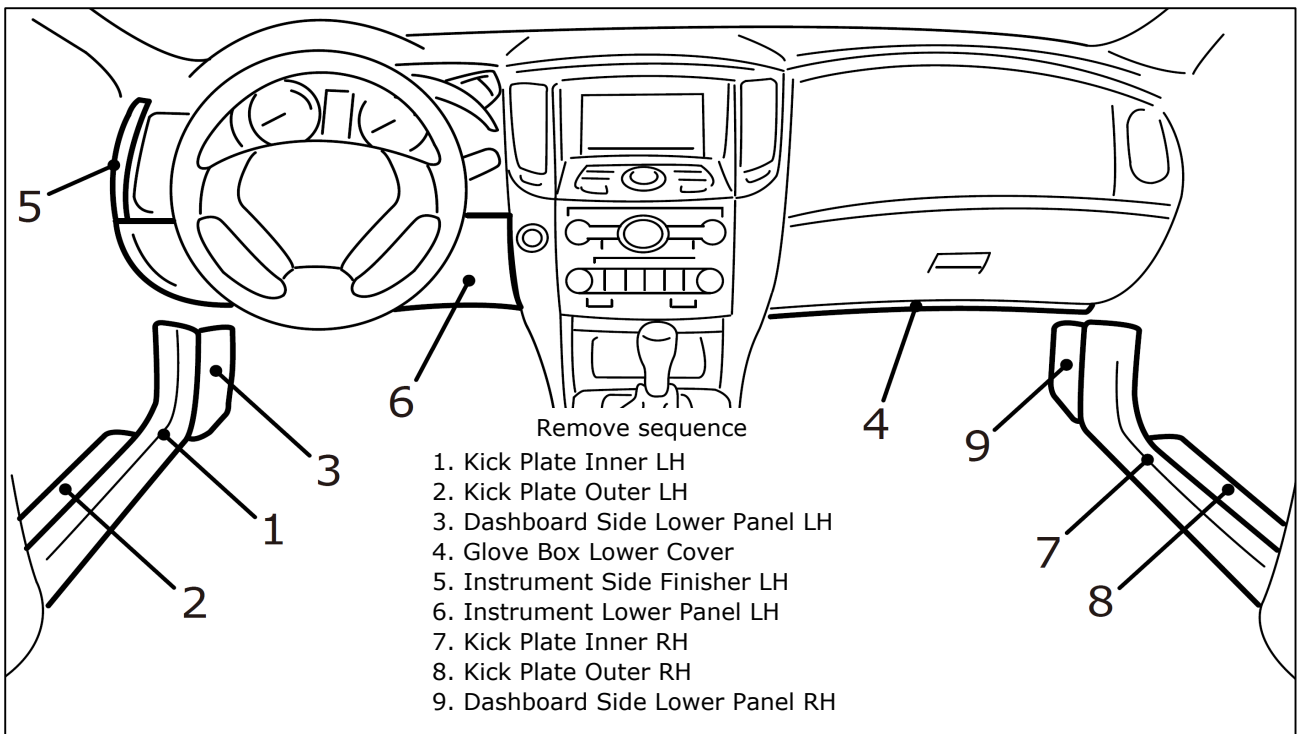
Preset	1	2	3	4	5	6
A						
B						
C						

- 4) Use seat and floor protection.
- 5) Open the hood of the vehicle.
- 6) Disconnect the negative battery terminal to prevent short circuits during installation.
- 7) This part is to be installed at a surface temperature of 65-100°F.
- 8) Do not wash the vehicle for 24 hours after installing to prevent the double-sided tape from peeling.

⚠ CAUTION

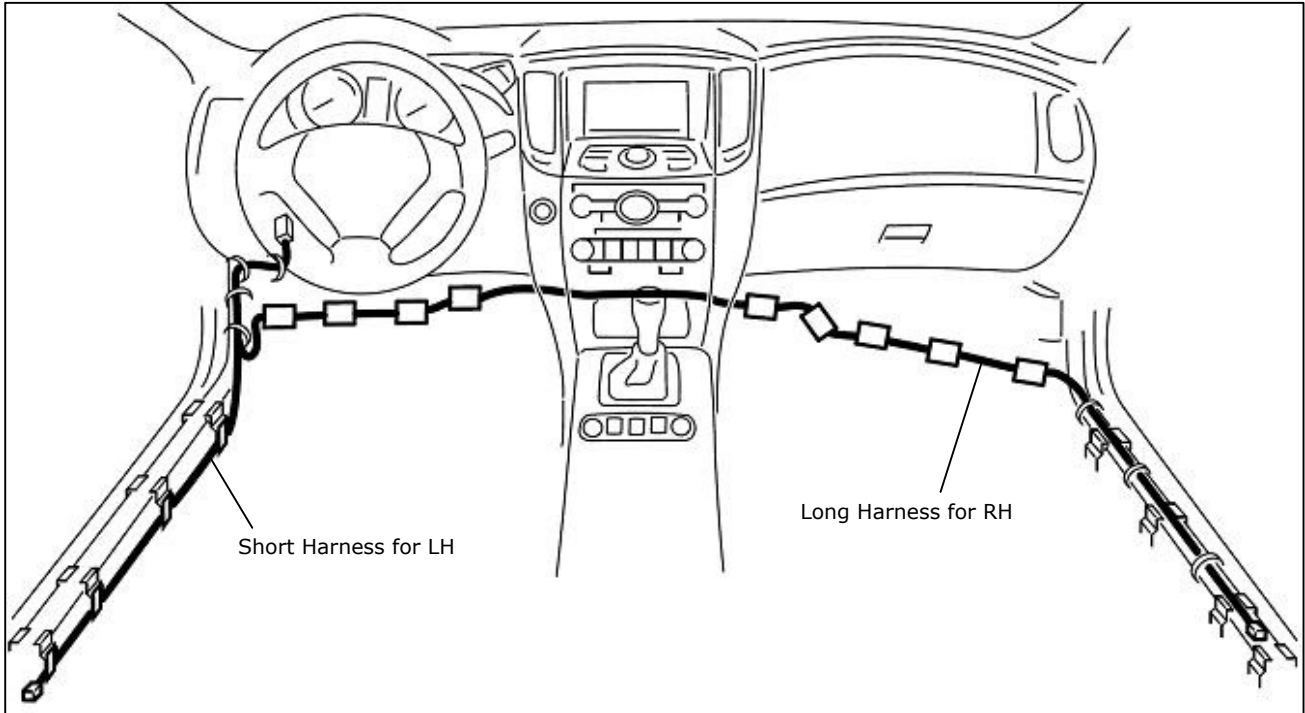
- Care must be taken not to scratch or damage any components during the removal or replacement process.

- 9) Remove the following interior trim parts in the sequence shown below.

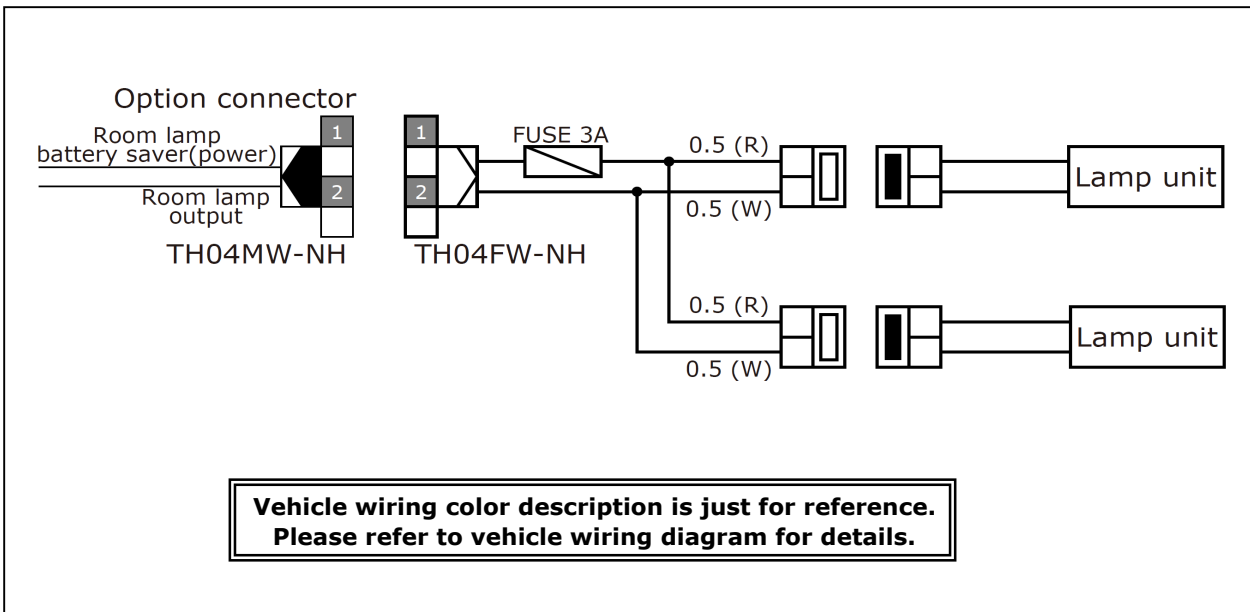


INSTALLATION INSTRUCTIONS - Illuminated Kick Plate

7. INSTALLATION OUTLINE

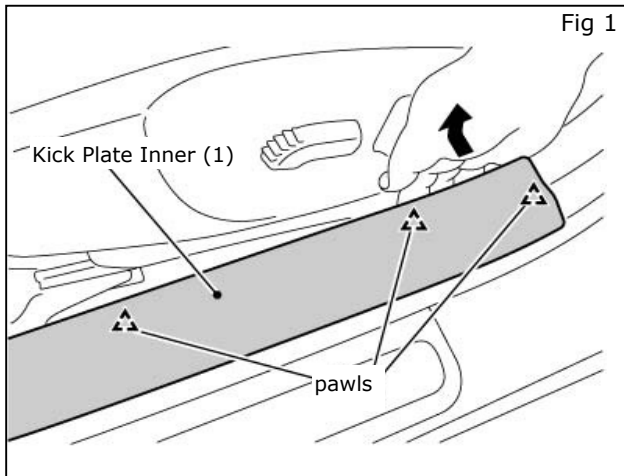


8. STANDARD CONNECTION METHOD

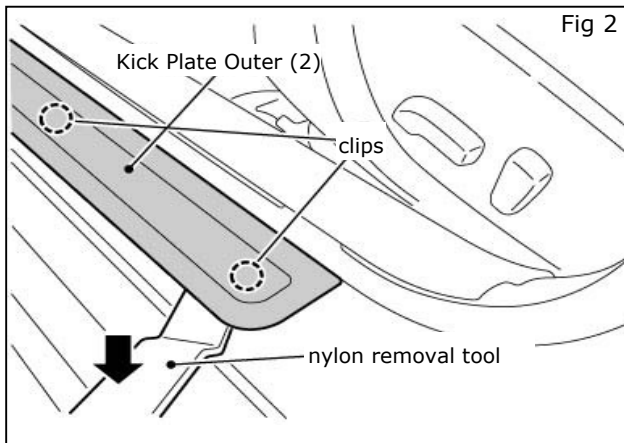


INSTALLATION INSTRUCTIONS - Illuminated Kick Plate

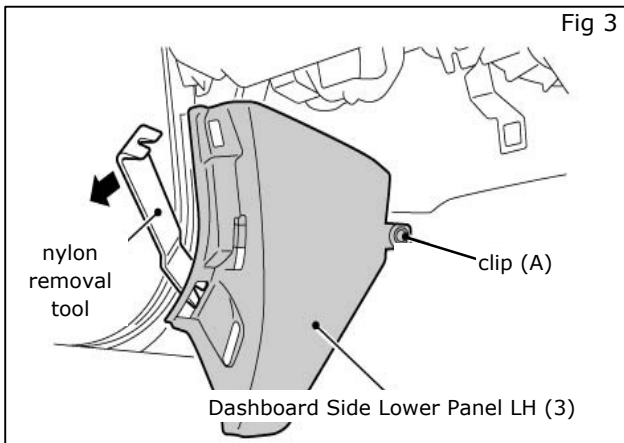
9. VEHICLE PARTS REMOVAL



- 1) Kick Plate Inner LH removal
 - a) Pull up Front Kick Plate Inner LH, and disconnect pawls. Shown in Fig1.
 - b) Remove Kick Plate Inner LH (1).



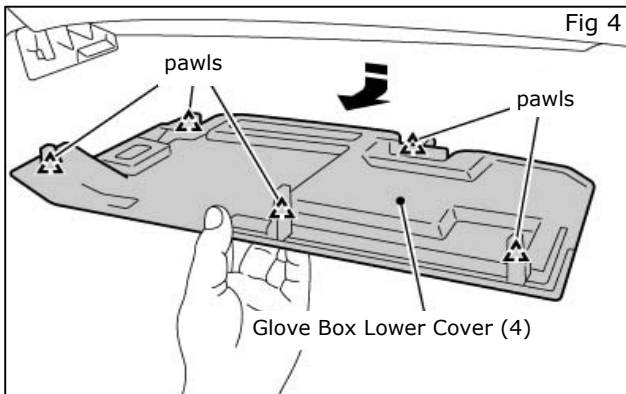
- 2) Kick Plate Outer LH removal
 - a) Remove Kick Plate Outer LH mounting clips with nylon removal tool. Shown in Fig2.
 - b) Remove Kick Plate Outer LH (2).



- 3) Dashboard Side Lower Panel LH removal
 - a) Remove clip (A).
 - b) Remove dash side finisher mounting clips with nylon removal tool, then remove Dashboard Side Lower panel LH (3). Shown in Fig 3.

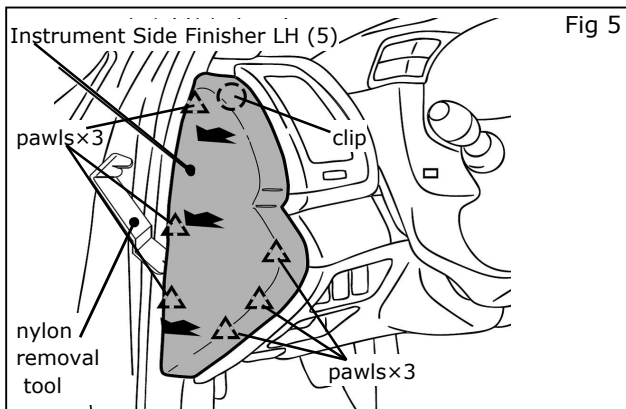
INSTALLATION INSTRUCTIONS - Illuminated Kick Plate

9. VEHICLE PARTS REMOVAL

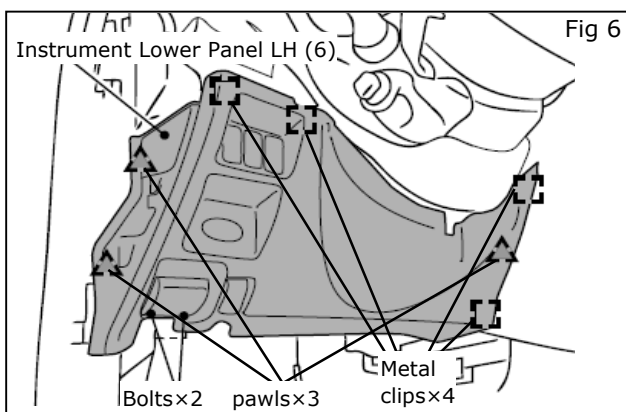


- 4) Glove Box Lower Cover removal
 - a) Pull downward, disengaged pawls.
 - b) Remove Glove Box Lower Cover (4). Shown in Fig4.

- 5) Repeat steps 1) to 3) for RH side of vehicle
 - Kick Plate Inner RH (7).
 - Kick Plate Outer RH (8).
 - Dashboard Side Lower Panel RH (9).



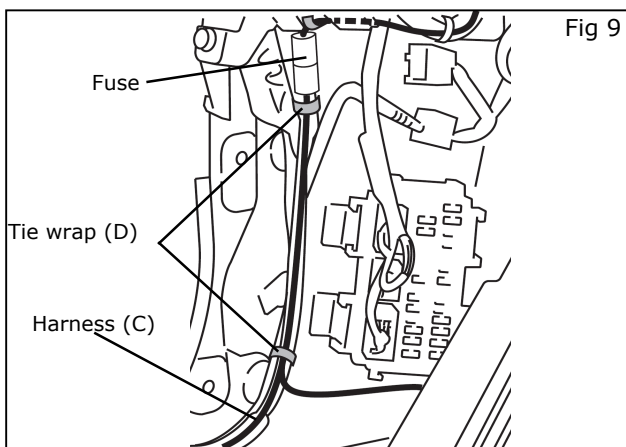
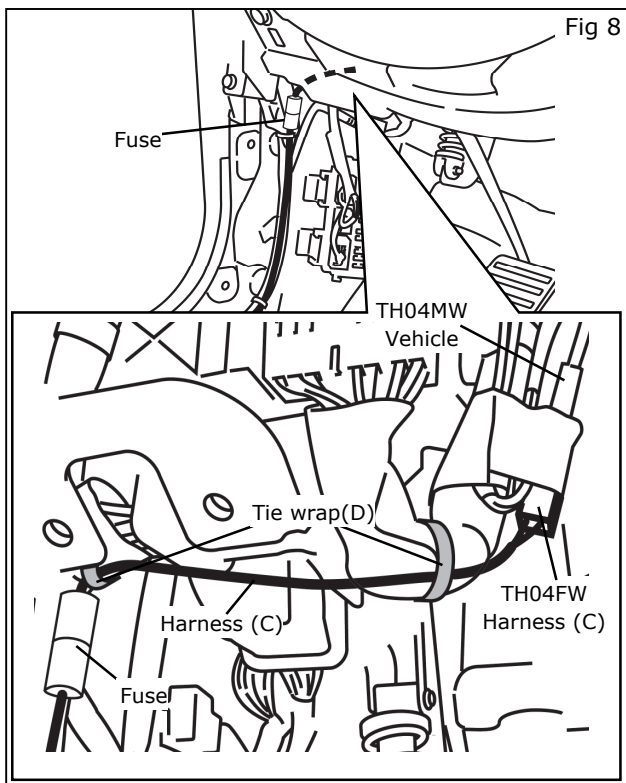
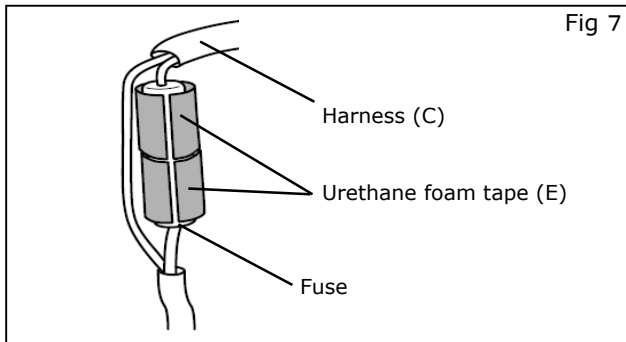
- 6) Instrument Side Finisher LH removal
 - a) Insert a nylon remover tool into lower space.
 - b) Pull the Instrument Side Finisher LH crosswise. Shown in Fig5.
 - c) Remove Instrument Side Finisher LH (5).



- 7) Instrument Lower Panel LH removal
 - a) Remove Hood Opener Mounting Bolts.
 - b) Pull downward Instrument Lower Panel LH to disengage pawls and clips. Shown in Fig6.
 - c) Disconnect harness from Instrument Lower Panel LH and hose plug.
 - d) Remove Instrument Lower Panel LH (6).

INSTALLATION INSTRUCTIONS - Illuminated Kick Plate

10. WIRING HARNESS INSTALLATION



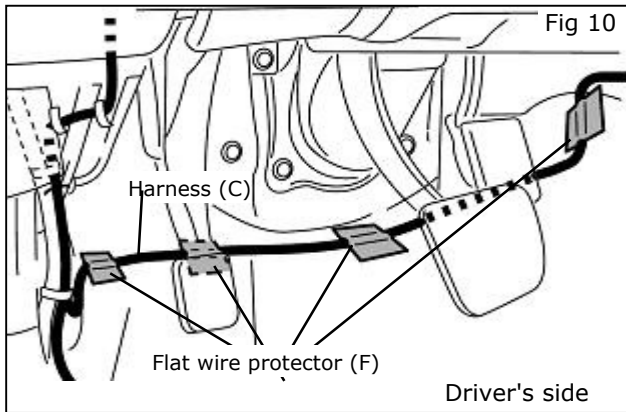
⚠ CAUTION

- Connector pull test should be less than 10kgf (22 lbs) to confirm secure connection to vehicle connector.

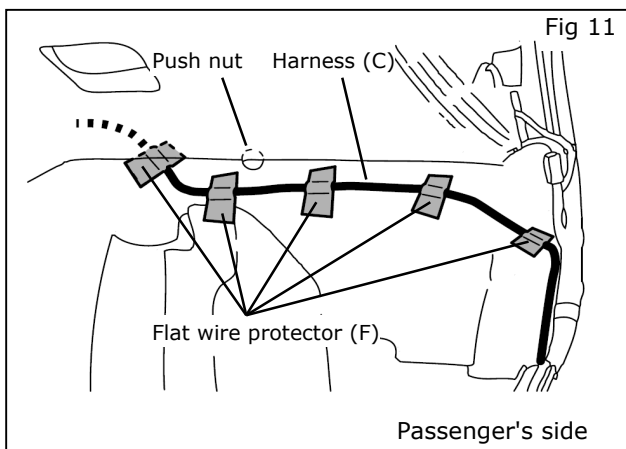
- 1) Wrap the fuse of Harness (C) with two pieces of Urethane foam tape (E). Shown in Fig7.
- 2) Connect the TH04FW connector of Harness (C) and Option connector (TH04MW) of vehicle. Shown in Fig8.
- 3) Attach the Harness (C) to vehicle harness at the position shown in Fig8, using the Tie wrap (D). (2 places)
- 4) Attach the Harness (C) to vehicle harness at the position shown in Fig9, Secure by using the Tie wrap (D) - (2 places)

INSTALLATION INSTRUCTIONS - Illuminated Kick Plate

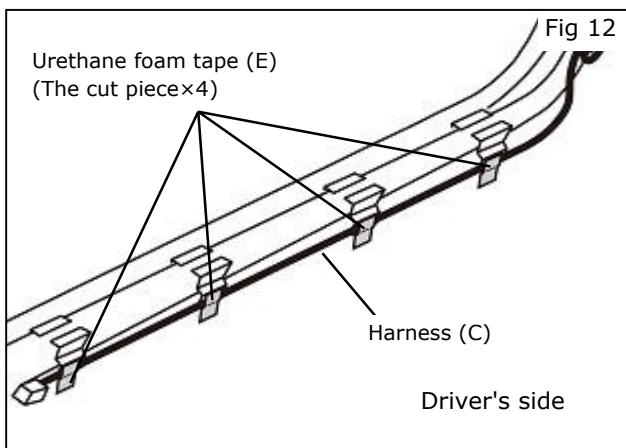
10. WIRING HARNESS INSTALLATION CONT'D



- 5) Flip the carpet of the driver's side.
- 6) Route Harness (C) under accelerator pedal bracket, and attach harness to floor using the Flat wire protector (F) shown in Fig10. (4 places)



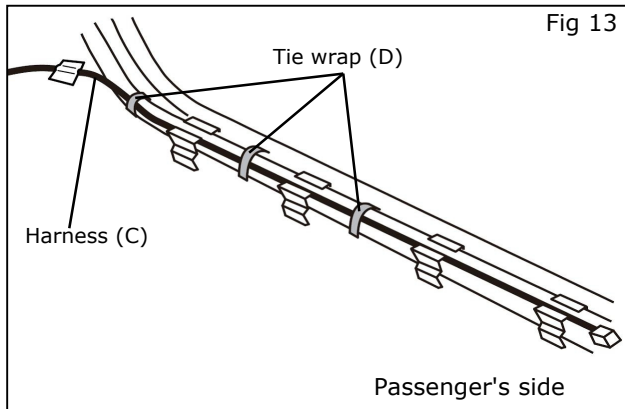
- 7) Remove one push nut from front passenger side carpet. Shown in Fig11.
- 8) Flip the carpet of passenger side.
- 9) Route fish tape behind center console from driver's side harness to passenger side.
- 10) Pull harness with fish tape behind center console.
- 11) Attach passenger side harness using the Flat wire protector (F) shown in Fig11. (5 places)



- 12) Route Harness (C) along the vehicle harness.
- 13) Fold one piece Urethane foam tape (E) and cut into two equal pieces.
- 14) Attach the harness to the vehicle harness protector using the cut piece of Urethane foam tape (E). Shown in Fig12. (4 places)

INSTALLATION INSTRUCTIONS - Illuminated Kick Plate

10. WIRING HARNESS INSTALLATION CONT'D



15) Route harness (C) through existing vehicle harness protector and fix the harness at the position shown in Fig13, using the Tie wrap (D) - (3 places)

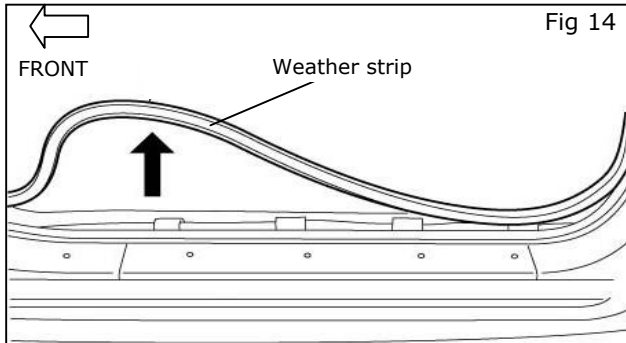
16) Function check

- a) Connect Harness (C) to the lamp unit harness of Kick plate (A) and (B).
- b) Connect battery.
- c) Check function. Confirm "INFINITI" text illuminates when either door is open.
- d) If OK, disconnect Harness (C) from the lamp unit harness of Kick plate (A) and (B).
- e) If NG, check harness routine, connections and lamp unit to identify root cause and fix it. Repeat steps (A) to (C) until it is OK.
- f) Disconnect battery.

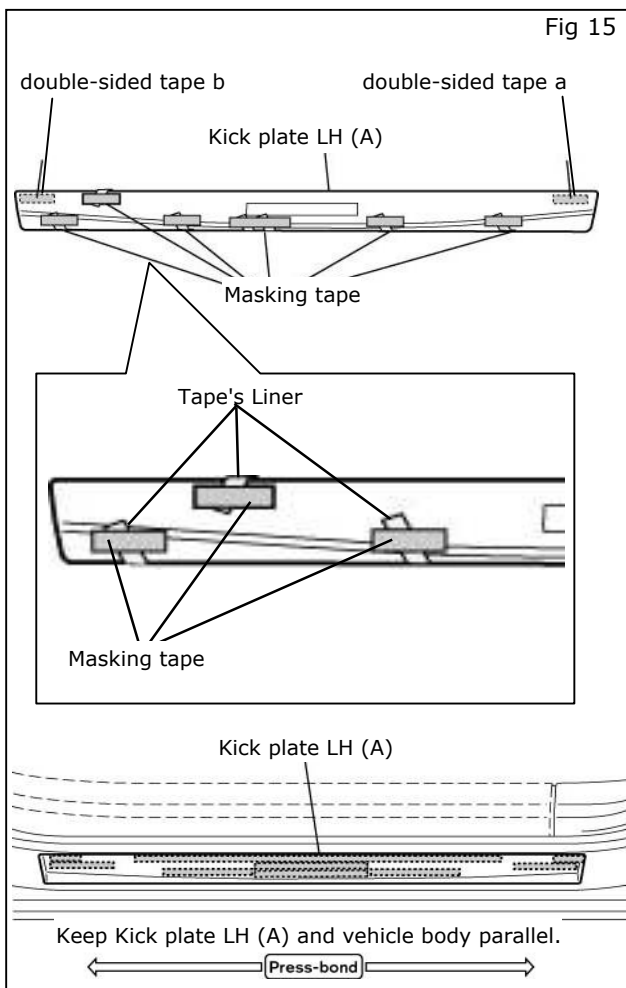
INSTALLATION INSTRUCTIONS - Illuminated Kick Plate

11. KICK PLATE INSTALLATION

The procedure below shows the installation for LH side. Repeat procedure for RH side.



- 1) Remove the vehicle weather strip near the Kick plate (A) attachment location shown in Fig14.
- 2) Clean the attachment area of Kick plate (A) with soapy water.
- 3) Dry area with soft non linting towel.
- 4) Clean area with 50/50 alcohol & water solution and let dry for 30 seconds.



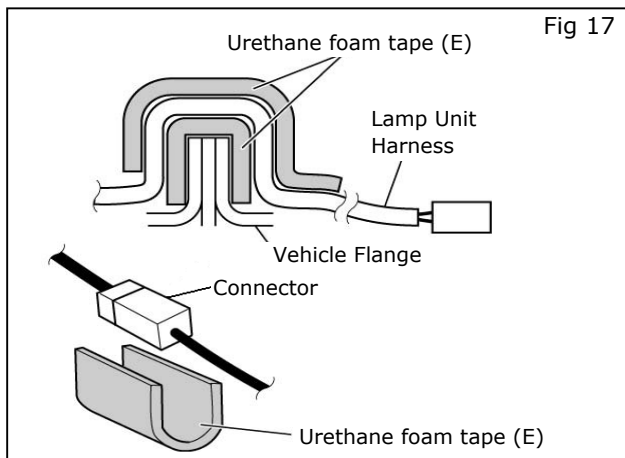
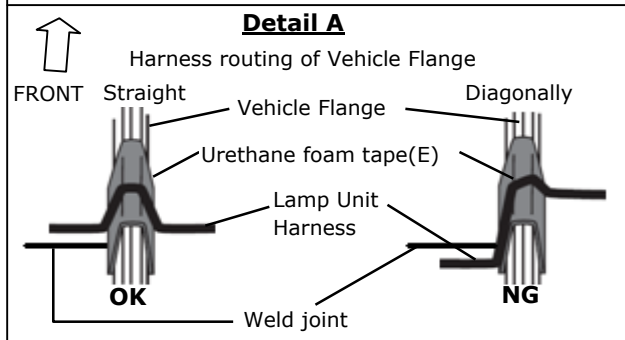
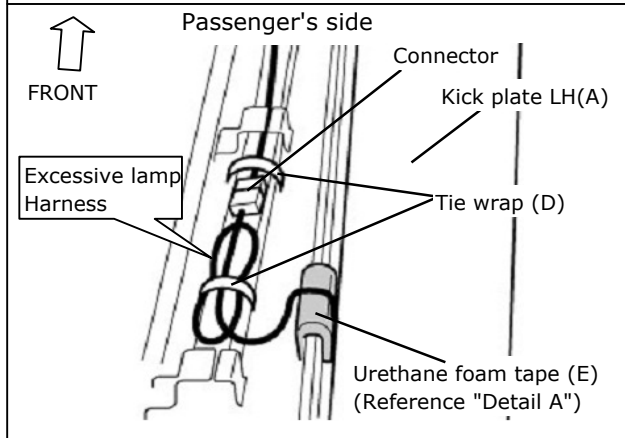
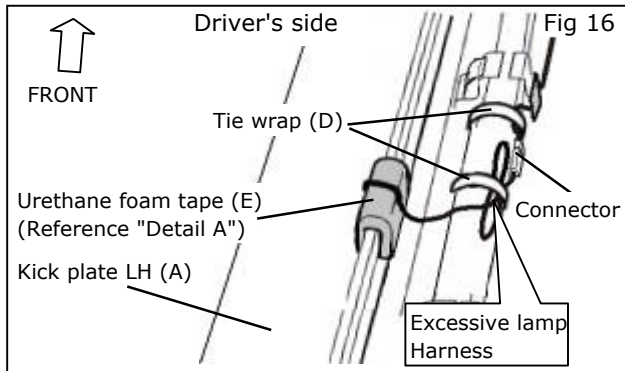
- 5) Remove location a and b double-sided tape's liner shown in Fig15.
- 6) Pull the adhesive tape liner pull tab to partially remove liner from all other locations. Using masking tape, hold the liner to the visible side of the Kick plate (A) surface as shown in Fig15.
- 7) Align pins on part to second and fourth hole on vehicle from front side.
- 8) Set part on vehicle, being careful to keep the outside edge of the part parallel to the rocker panel.
- 9) Gradually remove the tape liner at the back of the Kick plate (A) starting from the front, apply minimum 11lb (49N) of pressure along the part to attach tape to body shown in Fig15.

⚠ CAUTION

- Use caution when applying pressure as the surface may dent.
- During installation, be careful not to allow the harness to get stuck between the vehicle and the kick plate.
- Harness should be routed through the notched area of the kick plate.

INSTALLATION INSTRUCTIONS - Illuminated Kick Plate

12. HARNESS CONNECTION INSTALLATION



The procedure below shows the installation for LH side. Repeat procedure for RH side.

- 1) Secure harness (C) to vehicle harness at connector with Tie Wrap (D) as shown in Fig16. (1 place)
- 2) Fold one piece Urethane foam tape (E) and cut into two equal pieces.
- 3) Clean both sides of the attachment area for the Urethane foam tape (E) with the 50/50 alcohol & water solution. Let dry for 30 seconds. Shown in Fig16.
- 4) Attach the cut piece of urethane foam tape (E) to vehicle flange as shown in Fig17.
- 5) Place the lamp harness on top of the Urethane foam tape (E), make sure lamp unit harness is placed before weld joint as shown in "detail A". Then apply second half of the Urethane foam tape (E) on top of the harness.
- 6) Connect the connectors and apply the Urethane foam tape (E) on the connecting section as shown in Fig17.
- 7) Attach excess lamp harness to the vehicle harness with a Tie wrap (D) as shown in Fig16. (1 place)
- 8) Cut excess Tie wrap.

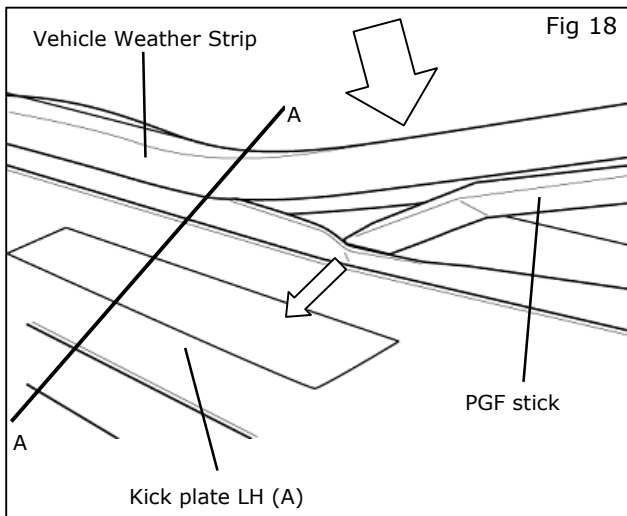
CAUTION

- Do not attach the harness to sharp metal

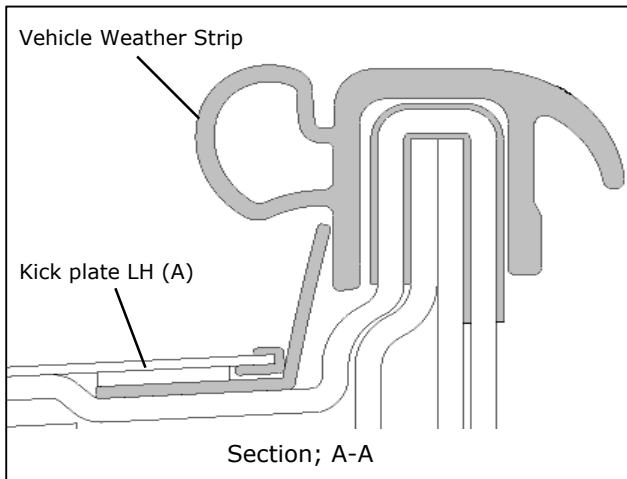
INSTALLATION INSTRUCTIONS - Illuminated Kick Plate

13. REINSTALLATION OF THE VEHICLE WEATHER STRIP

The procedure below shows the installation for LH side.
Repeat procedure for RH side.



- 1) Reinstallation of the vehicle Weather Strip with PGF stick. shown in Fig18 and Section A-A.



INSTALLATION INSTRUCTIONS - Illuminated Kick Plate

14. CHECK AFTER INSTALLATION

- 1) Please check that the installation has no problem.
- a) confirm connection of connector
 - b) confirm whether wire harness is fixed.

15. FUNCTION CHECK

- 1) Re-connect battery negative terminal.
- 2) Confirm all switch function are working on Instrument Lower Panel LH.
- 3) Confirm "INFINITI" text is illuminated when either door is in the opened position. Manual engage door switch to verify Illuminated Kick Plate ON/OFF function is working.

16. REINSTALLATION OF REMOVED PARTS

- 1) All removed vehicle parts have been reinstalled.

CAUTION

- Use caution when re-installing interior components to avoid damage, scratch, or breaking of mounting clips.

- 2) Clean interior of vehicle.

17. VEHICLE CHECK

- 1) Remove all tools from the vehicle.
- 2) Inspect reinstalled interior trim parts for proper panel fit.
- 3) Reset radio presets to the recorded setting.
- 4) Turn ignition to ON position.
- 5) Confirm proper radio operation.
- 6) Initialize sun roof, and power window operation.
- 7) Confirm proper operation of the rear window washer fluid.
- 8) Confirm the functionality of all four blinkers and hazard warning signal flasher.
- 9) Confirm the operation of all door lock and unlock using remote key.
- 10) Reset windows. When window is completely up, continue to hold in up position for 4 seconds.
- 11) Turn ignition to off position.

CAUTION

- During restoring, please use caution to avoid the pinching or breaking of the vehicle's harness, or damage any other parts.