



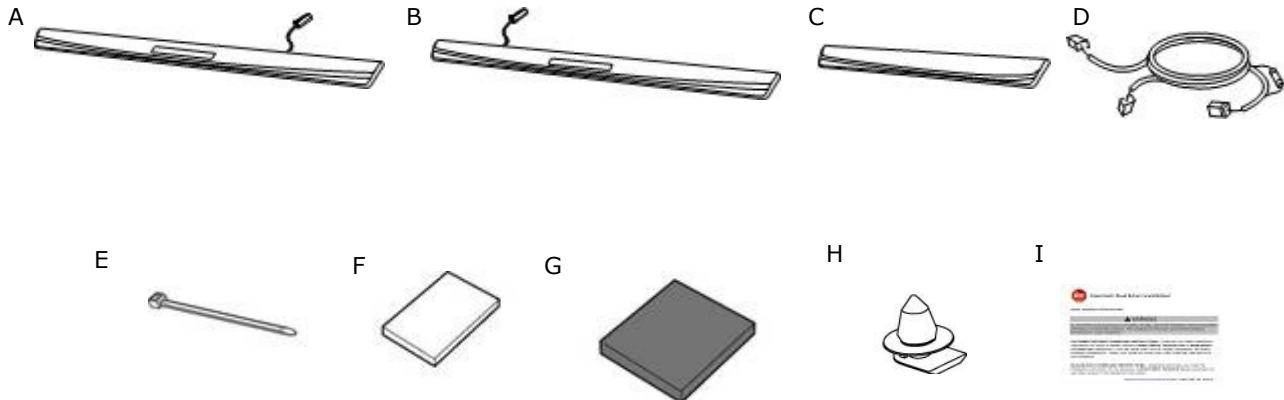
INFINITI

GENUINE PARTS

INSTALLATION INSTRUCTIONS

1. **DESCRIPTION:** Illuminated Kick Plate
2. **APPLICATION:** G37 SEDAN (2012) Starting Vin No. JN1DV6AP2CM810618
3. **PART NUMBER:** G6950 1NM0A
4. **KIT CONTENTS:**

Item	QTY	Description
A	1	Kick plate front LH
B	1	Kick plate front RH
C	2	Kick plate rear
D	1	Harness
E	14	Tie wrap
F	6	Urethane foam tape
G	9	Flat wire protector
H	8	Clip
I	1	Installation Instructions Replacement Template



5. **TOOLS REQUIRED:**
 - Nylon Removal Tool
 - Wire cutter
 - 10mm Socket and driver
 - 14mm socket and driver
 - Fish tape
 - Masking tape
 - Flash light
 - Scissors
 - Soap and water
 - 50/50 alcohol & water solution
 - Soft non linting towel

INSTALLATION INSTRUCTIONS - Illuminated Kick Plate

6. PRE-INSTALLATION CAUTIONS/NOTES

⚠ CAUTION

- Dealer Installation Recommended. Instructions refer to Service Manual.
- Please read this instruction carefully before installing this product for correct installation.
- Please DO NOT use or install the part in ways other than what is described in this instruction manual.
- If problem occurs during installation, please contact Nissan dealer where you purchased the product.

- 1) Apply Parking Brake.
- 2) Make sure the shift lever is engaged in "P" or "N" position.
- 3) Record customer Radio Presets.

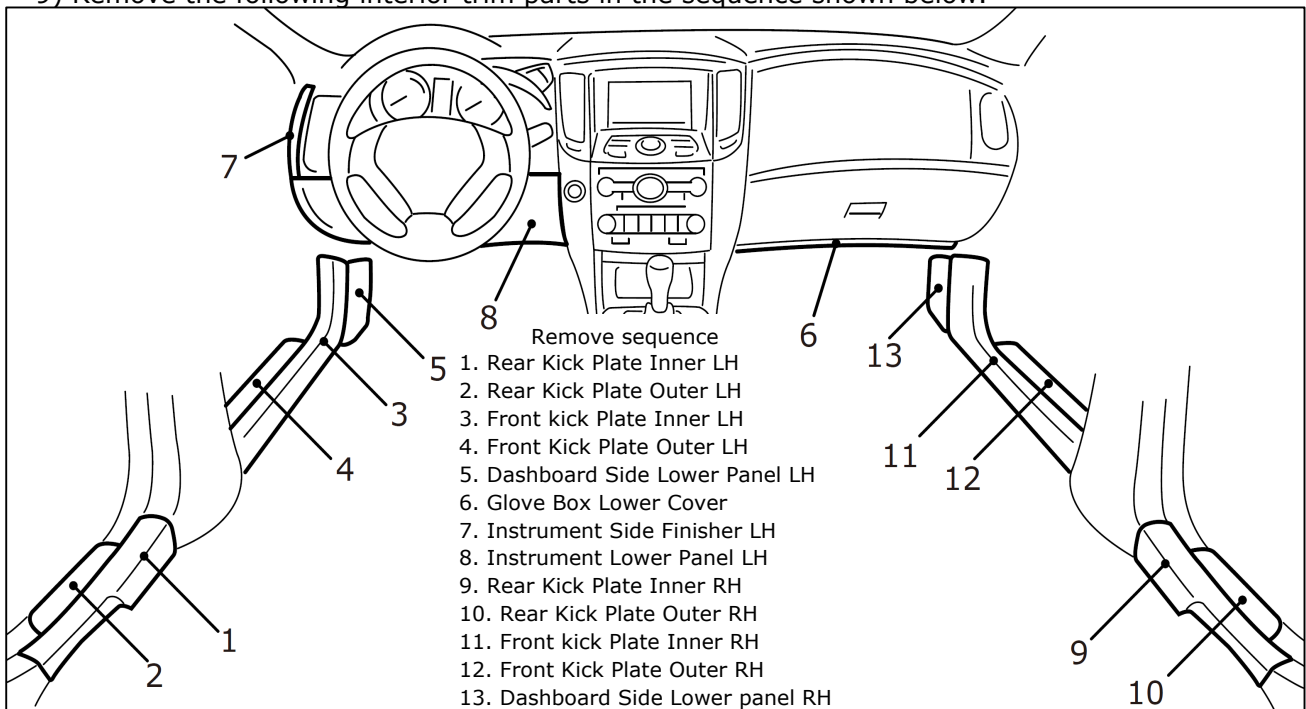
Preset	1	2	3	4	5	6
A						
B						
C						

- 4) Use seat and floor protection.
- 5) Open the hood of the vehicle.
- 6) Disconnect the negative battery terminal to prevent short circuits during installation.
- 7) This part is to be installed at a surface temperature of 65-100°F.
- 8) Do not wash the vehicle for 24 hours after installing to prevent the double-sided tape from peeling.

⚠ CAUTION

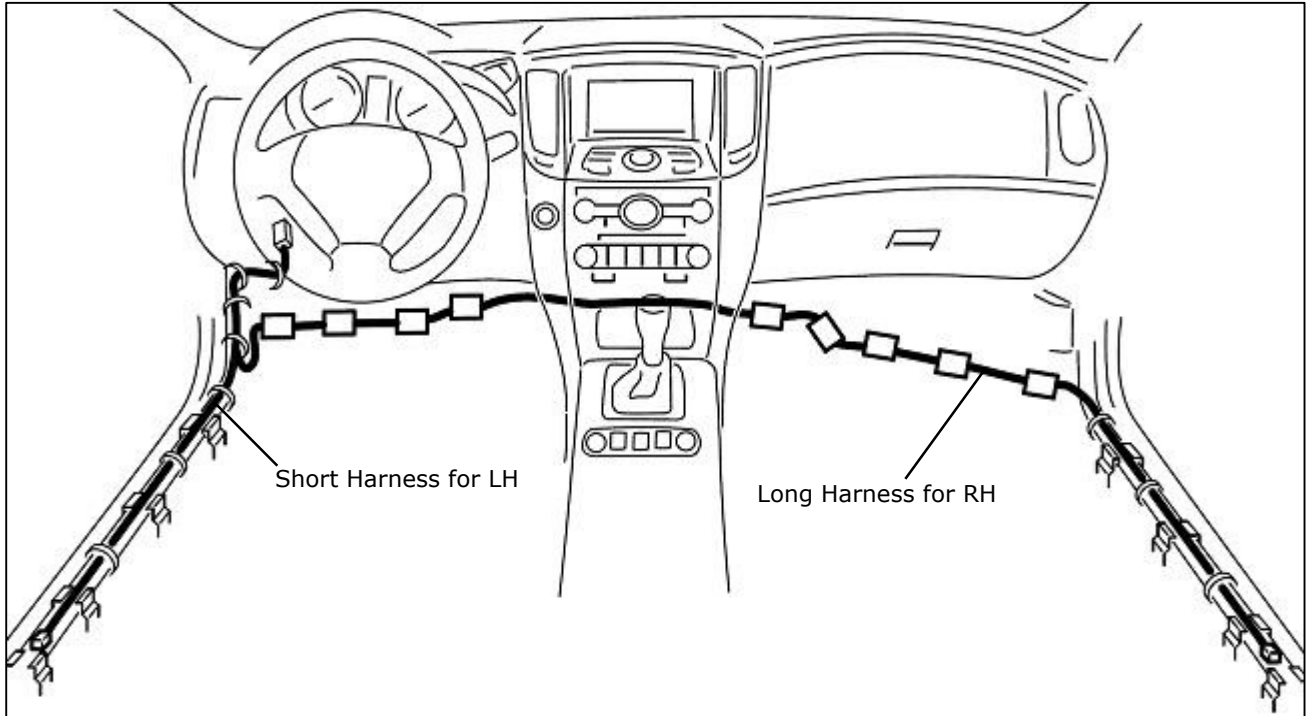
- Care must be taken not to scratch or damage any components during the removal or replacement process.

- 9) Remove the following interior trim parts in the sequence shown below.

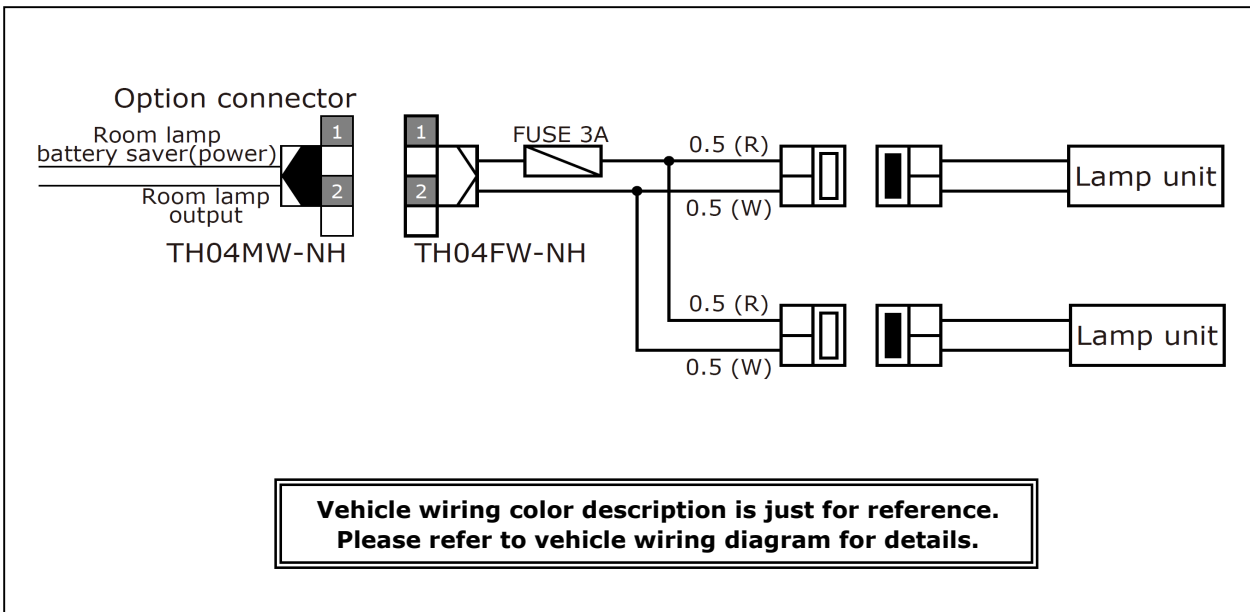


INSTALLATION INSTRUCTIONS - Illuminated Kick Plate

7. INSTALLATION OUTLINE

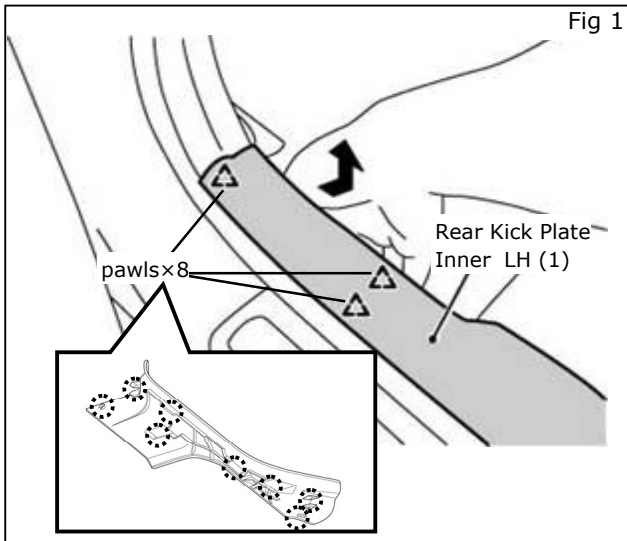


8. STANDARD CONNECTION METHOD

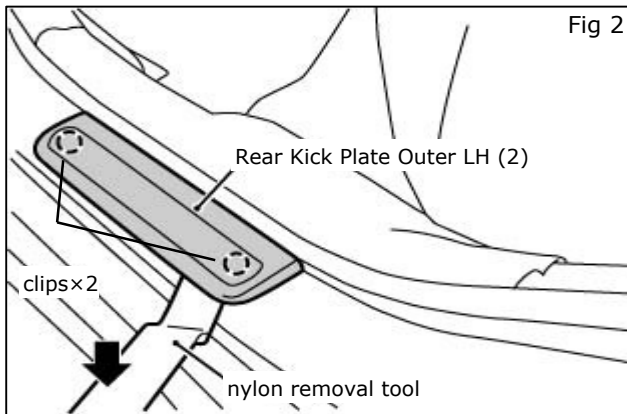


INSTALLATION INSTRUCTIONS - Illuminated Kick Plate

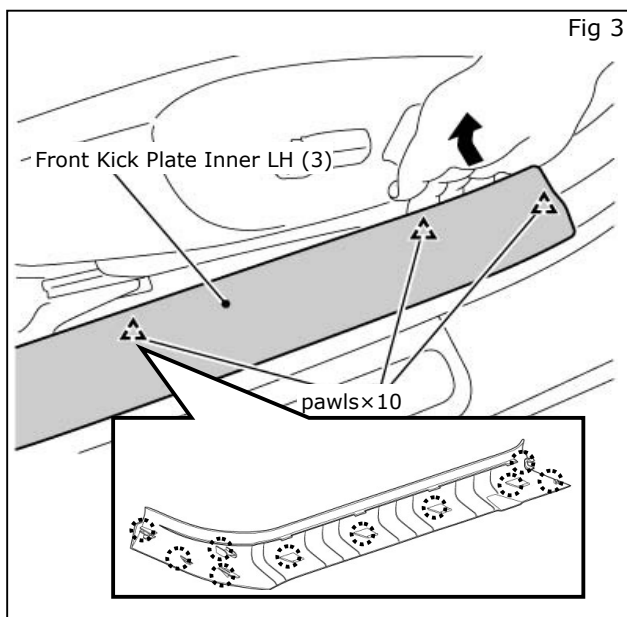
9. VEHICLE PARTS REMOVAL



- 1) Rear Kick Plate Inner LH removal
 - a) Pull up Rear Kick Plate Inner LH, and disconnect pawls. Shown in Fig1.
 - b) Remove Rear Kick Plate Inner LH (1).



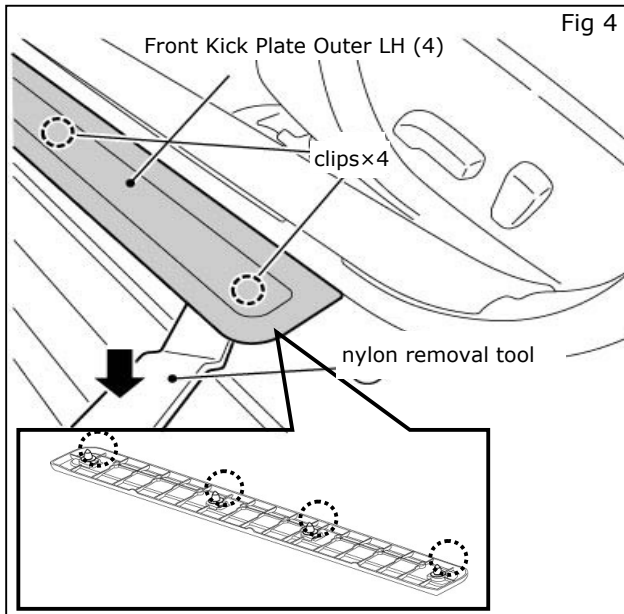
- 2) Rear Kick Plate Outer LH removal
 - a) Remove Rear Kick Plate Outer LH mounting clips with nylon removal tool. Shown in Fig2.
 - b) Remove Rear Kick Plate Outer LH (2).



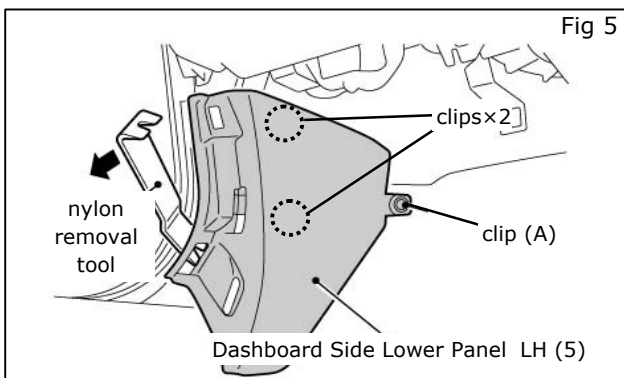
- 3) Front Kick Plate Inner LH removal
 - a) Pull up Front Kick Plate Inner LH, and disconnect pawls. Shown in Fig3.
 - b) Remove Front Kick Plate Inner LH (3).

INSTALLATION INSTRUCTIONS - Illuminated Kick Plate

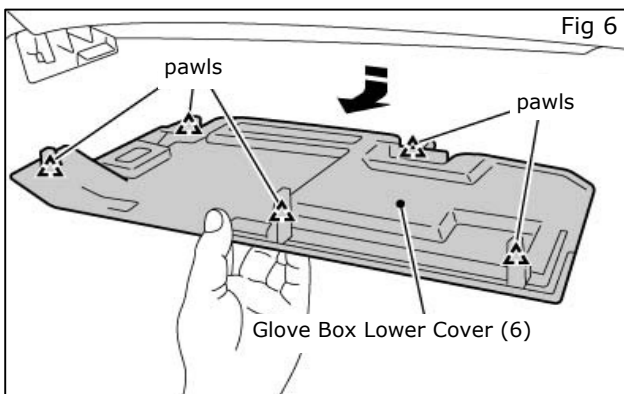
9. VEHICLE PARTS REMOVAL



- 4) Front Kick Plate Outer LH removal
 - a) Remove Front Kick Plate Outer LH mounting clips with nylon removal tool. Shown in Fig4.
 - b) Remove Front Kick Plate Outer LH (4).



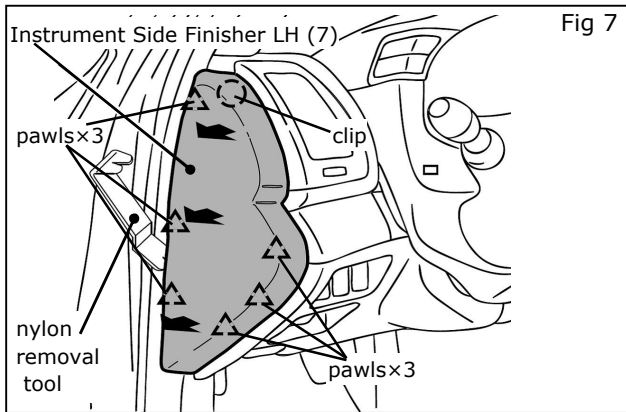
- 5) Dashboard Side Lower Panel LH removal
 - a) Remove clip(A).
 - b) Detach Dashboard Side Lower Panel LH mounting clips with nylon removal tool. Shown in Fig5.
 - c) Remove Dashboard Side Lower Panel LH (5).



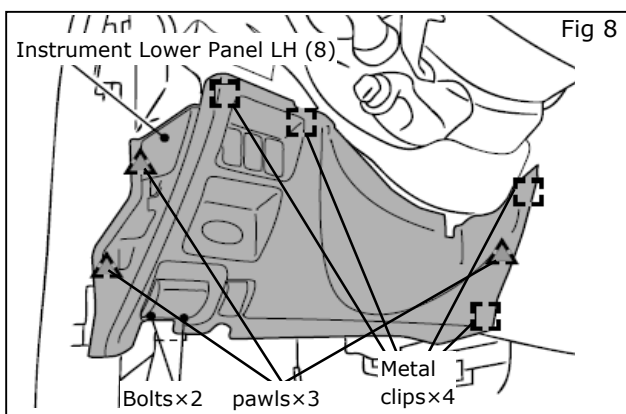
- 6) Glove Box Lower Cover removal
 - a) Pull downward, disengaged pawls.
 - b) Remove Glove Box Lower Cover (6). Shown in Fig6.
- 7) Repeat steps 1) to 5) for RH side of vehicle
 - Rear Kick Plate Inner RH (9)
 - Rear Kick Plate Outer RH (10).
 - Front Kick Plate Inner RH (11).
 - Front Kick Plate Outer RH (12).
 - Dashboard Side Lower Panel RH (13).

INSTALLATION INSTRUCTIONS - Illuminated Kick Plate

9. VEHICLE PARTS REMOVAL CONT'D



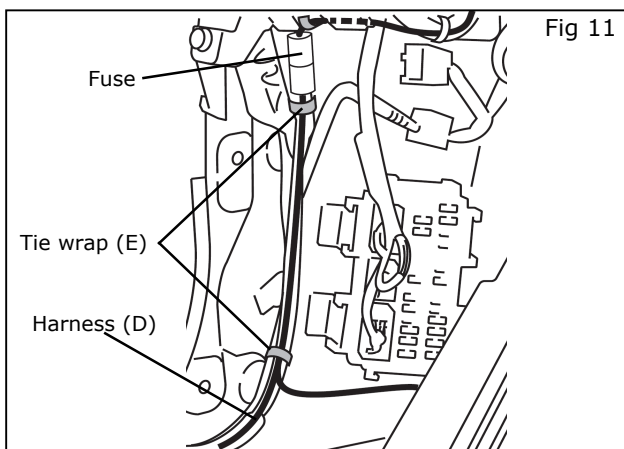
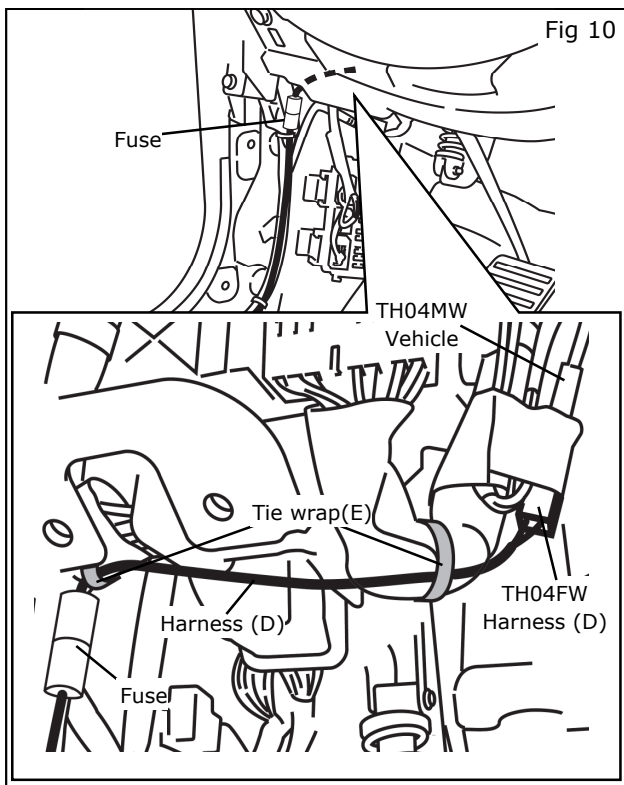
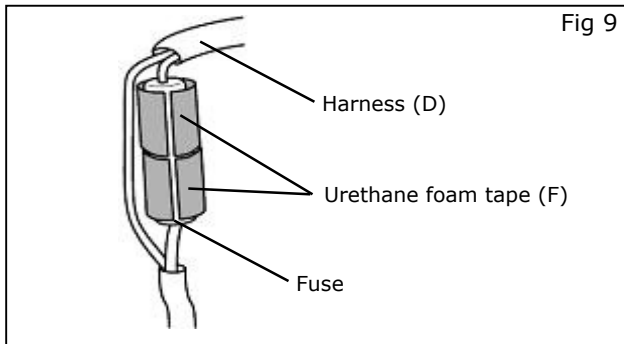
- 8) Instrument Side Finisher LH removal
 - a) Insert a nylon remover tool into lower space.
 - b) Pull the Instrument Side Finisher LH crosswise. Shown in Fig7.
 - c) Remove Instrument Side Finisher LH (7).



- 9) Instrument Lower Panel LH removal
 - a) Remove Hood Opener Mounting Bolts.
 - b) Pull downward Instrument Lower Panel LH to disengage pawls and clips. Shown in Fig8.
 - c) Disconnect harness from Instrument Lower Panel LH and hose plug.
 - d) Remove Instrument Lower Panel LH (8).

INSTALLATION INSTRUCTIONS - Illuminated Kick Plate

10. WIRING HARNESS INSTALLATION



CAUTION

- Connector pull test should be less than 10kgf (22 lbs) to confirm secure connection to vehicle connector.

1) Wrap the fuse of Harness (D) with two pieces of Urethane foam tape (F). Shown in Fig9.

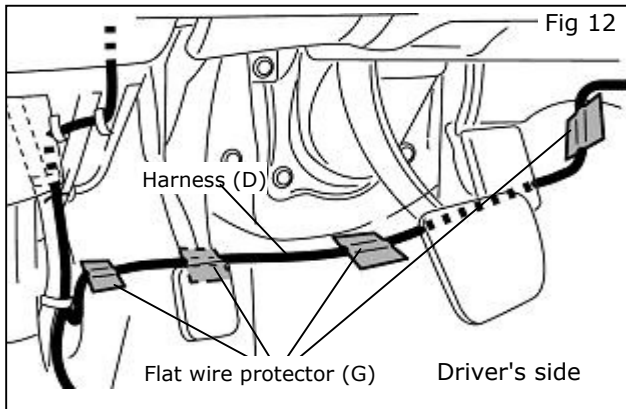
2) Connect the TH04FW connector of Harness (D) and Option connector (TH04MW) of vehicle. Shown in Fig10.

3) Attach the Harness (D) to vehicle harness at the position shown in Fig 10, using the Tie wrap (E). (2 places)

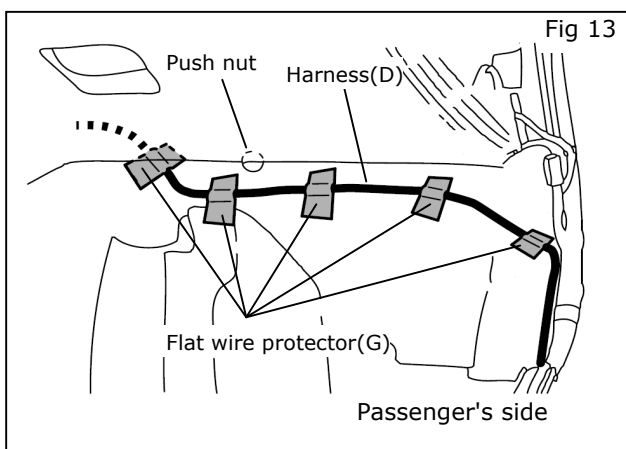
4) Attach the Harness (D) to vehicle harness at the position shown in Fig11, Secure by using the Tie wrap (E) - (2 places)

INSTALLATION INSTRUCTIONS - Illuminated Kick Plate

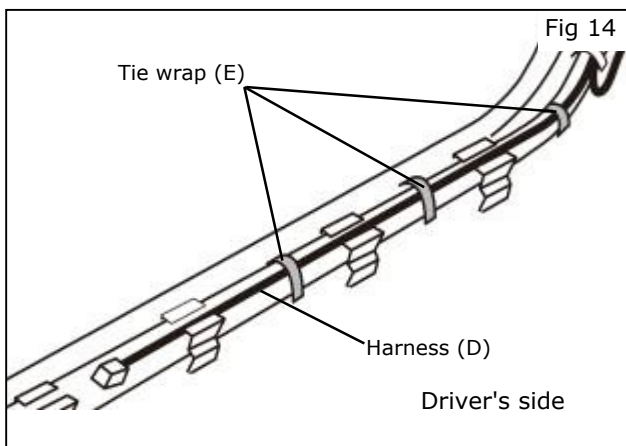
10. WIRING HARNESS INSTALLATION CONT'D



- 5) Flip the carpet of the driver's side.
- 6) Route Harness (D) under accelerator pedal bracket, and attach harness to floor using the Flat wire protector (G) shown in Fig12. (4 places)



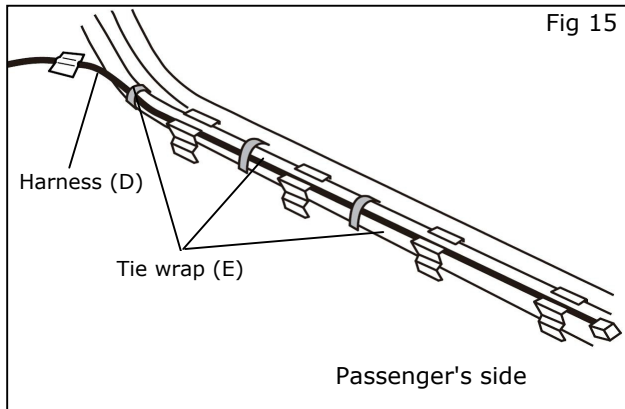
- 7) Remove one push nut from front passenger's side carpet. Shown in Fig13.
- 8) Flip the carpet of passenger's side.
- 9) Route fish tape behind center console from driver's side harness to passenger's side.
- 10) Pull harness with fish tape behind center console.
- 11) Attach passenger's side harness to floor using the Flat wire protector (G) shown in Fig13. (5 places)



- 12) Route Harness (D) through existing vehicle harness protector and attach the Harness (D) to vehicle harness at the position shown in Fig14, using the Tie wrap (E) - (3 places)

INSTALLATION INSTRUCTIONS - Illuminated Kick Plate

10. WIRING HARNESS INSTALLATION CONT'D



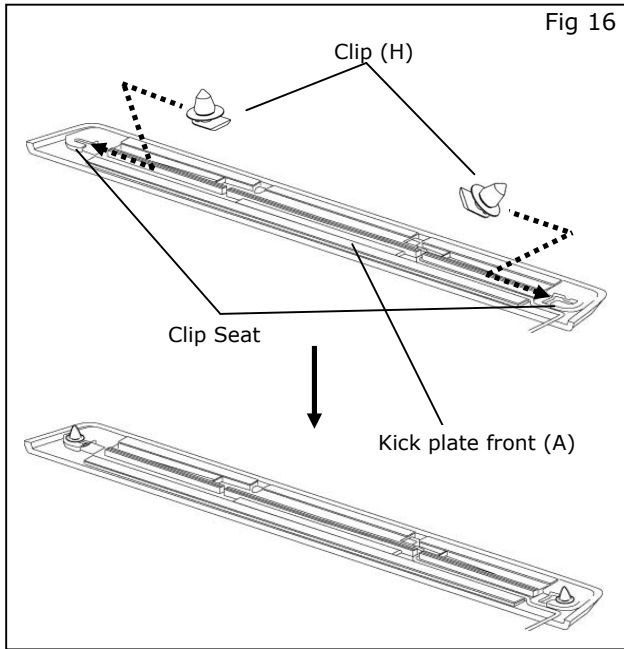
- 13) Route Harness (D) through existing vehicle harness protector and attach the Harness (D) to vehicle harness at the position shown in Fig15, using Tie wrap (E) - (3 places)

- 14) Function check
- Connect Harness (D) to the lamp unit harness of Kick plate (A) and (B).
 - Connect battery.
 - Check function. Confirm "INFINITI" text illuminates when either door is open.
 - If OK, disconnect Harness (D) from the lamp unit harness of Kick plate (A) and (B).
 - If NG, check harness routine, connections and lamp unit to identify root cause and fix it. Repeat steps (A) to (C) until it is OK.
 - Disconnect battery.

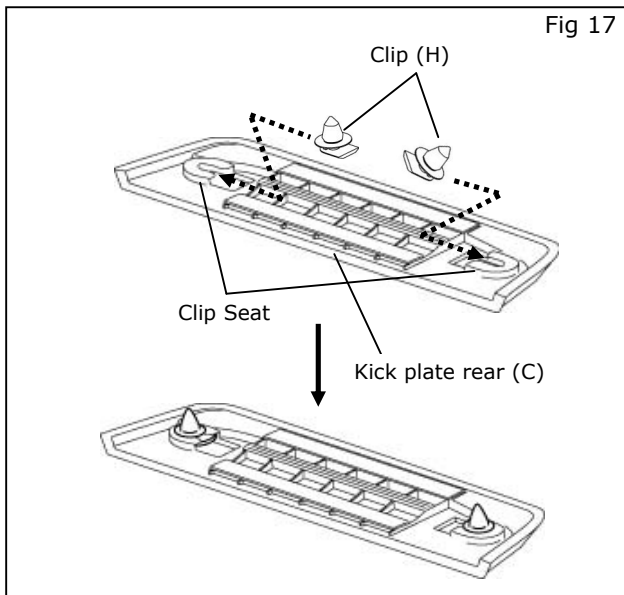
INSTALLATION INSTRUCTIONS - Illuminated Kick Plate

11. CLIP TO A KICK PLATE INSTALLATION

The procedure below shows the installation for LH side. Repeat procedure for RH side.



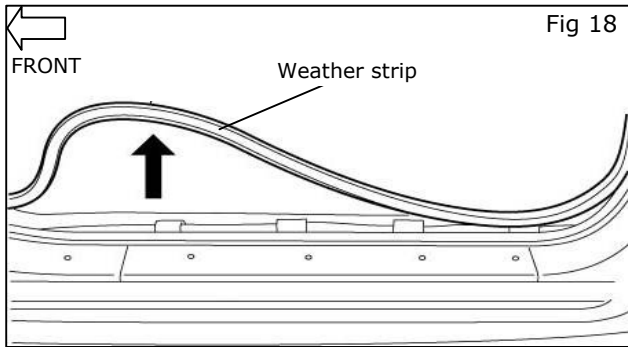
- 1) Slide clip (H) into the Clip Seat, as shown in Fig16 and Fig17.



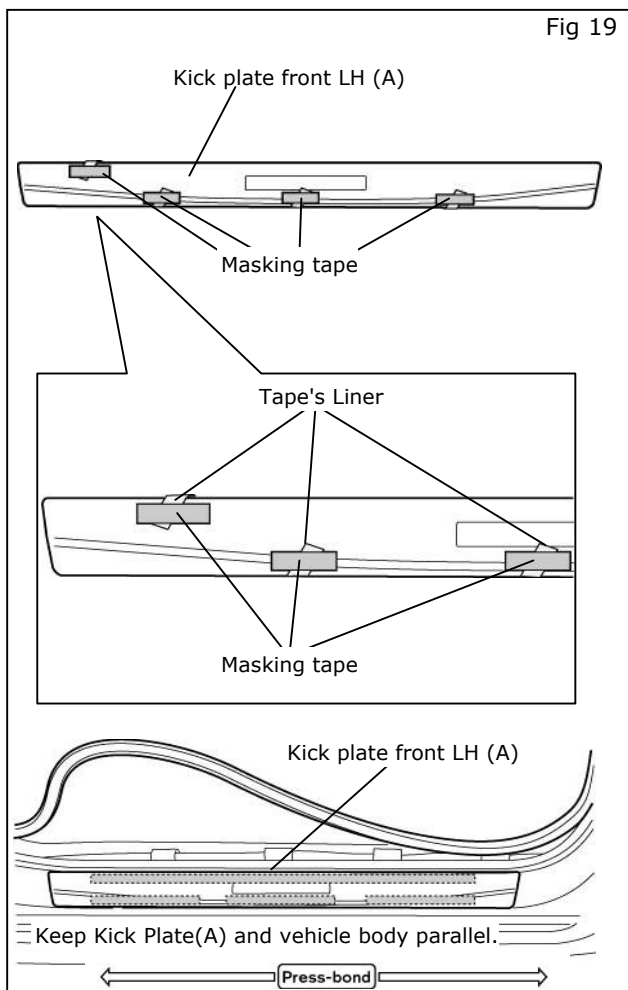
INSTALLATION INSTRUCTIONS - Illuminated Kick Plate

12. FRONT KICK PLATE INSTALLATION

The procedure below shows the installation for LH side. Repeat procedure for RH side.



- 1) Remove the vehicle weather strip near the Kick plate front (A) attachment location shown in Fig18.
- 2) Clean the attachment area of Kick plate front (A) with soapy water.
- 3) Dry area with soft non linting towel.
- 4) Clean area with 50/50 alcohol & water solution and let dry for 30 seconds.



- 5) Pull the double-sided tape liner pull tab to partially remove liner. Using masking tape, hold the liner to the visible side of the Kick plate front (A) surface as shown in Fig19.
- 6) Align clips on part to first and fourth hole on vehicle from front side.
- 7) Set part on vehicle, being careful to keep the outside edge of the part parallel to the rocker panel.
- 8) Gradually remove the tape liner at the back of the Kick plate front (A) starting from the front, apply minimum 11lb (49N) of pressure along the part to attach tape to body shown in Fig19.

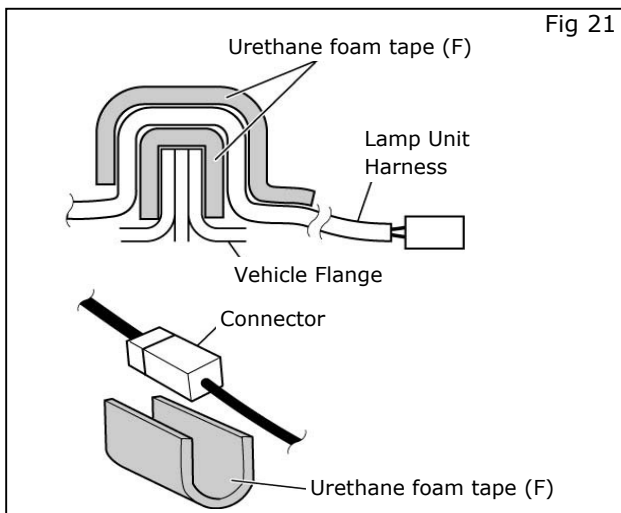
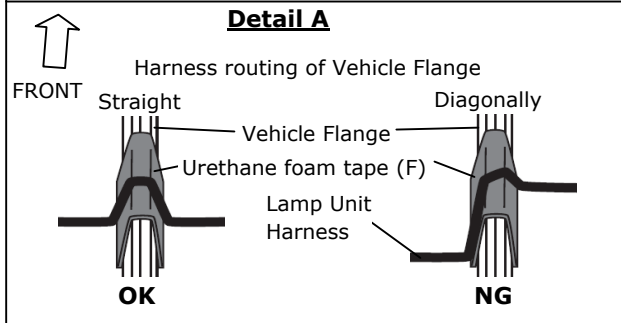
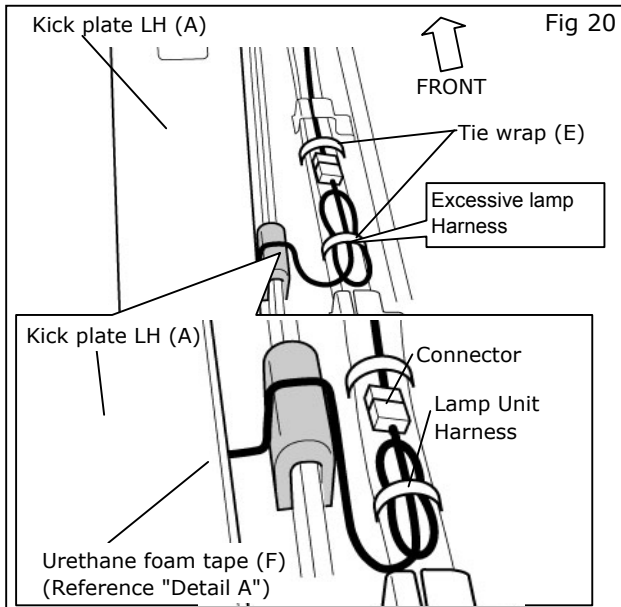
⚠ CAUTION

- Use caution when applying pressure as the surface may dent.
- During installation, be careful not to allow the harness to get stuck between the vehicle and the kick plate.
- Harness should be routed through the notched area of the kick plate.

INSTALLATION INSTRUCTIONS - Illuminated Kick Plate

13. HARNESS CONNECTION INSTALLATION

The procedure below shows the installation for LH side. Repeat procedure for RH side.



- 1) Secure harness (D) to vehicle harness at connector with Tie Wrap (E) as shown in Fig20. (1 place)
- 2) Fold one piece Urethane foam tape (F) and cut into two equal pieces.
- 3) Clean both sides of the attachment area for the Urethane foam tape (F) with the 50/50 alcohol & water solution. Let dry for 30 seconds. Shown in Fig20.
- 4) Attach the cut piece of Urethane foam tape (F) to vehicle flange as shown in Fig21.
- 5) Place the lamp harness on top of the Urethane foam tape (F), then apply second half of the Urethane foam tape (F) on top of the harness.
- 6) Connect the connectors and apply the Urethane foam tape (F) on the connecting section as shown in Fig21.
- 7) Attach excessive lamp harness to the vehicle harness with a Tie wrap (E) as shown in Fig20. (1 place)
- 8) Cut excessive Tie wrap.

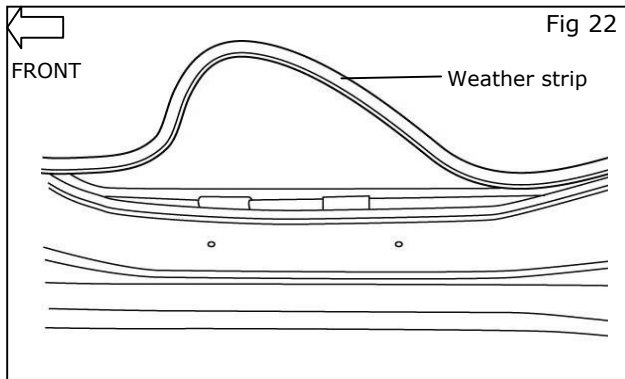
⚠ CAUTION

- Do not attach the harness to sharp metal edge.

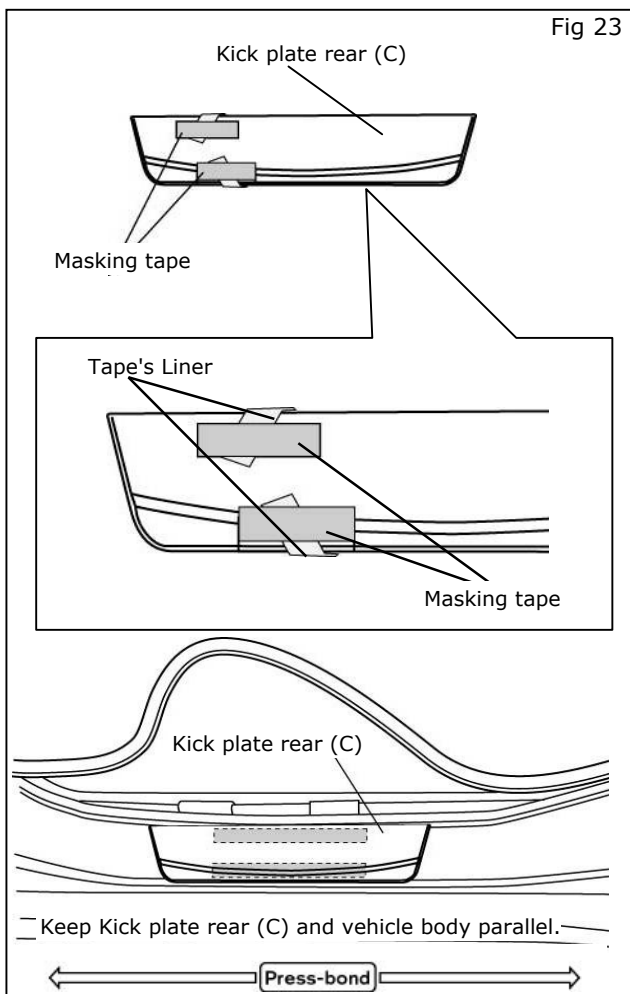
INSTALLATION INSTRUCTIONS - Illuminated Kick Plate

14. REAR KICK PLATE INSTALLATION

The procedure below shows the installation for LH side. Repeat procedure for RH side.



- 1) Remove the vehicle weather strip near the Kick plate rear (C) attachment location as shown in Fig22.
- 2) Clean the attachment area of Kick plate rear (C) with soapy water.
- 3) Dry area with soft non linting towel.
- 4) Clean area with 50/50 alcohol & water solution and let dry for 30 seconds.



- 5) Pull the double-sided tape liner pull tab to partially remove liner. Using masking tape, hold the liner to the visible side of the Kick plate rear (C) surface as shown in Fig23.
- 6) Align clips on part to hole on vehicle from front side.
- 7) Set part on vehicle, being careful to keep the outside edge of the part parallel to the rocker panel.
- 9) Gradually remove the tape liner at the back of the Kick plate rear (C) starting from the front, apply minimum 11lb (49N) of pressure along the part to attach tape to body as shown in Fig23.

CAUTION

- Use caution when applying pressure as the surface may dent.

INSTALLATION INSTRUCTIONS - Illuminated Kick Plate

14. CHECK AFTER INSTALLATION

- 1) Please check that the installation has no problem.
- a) confirm connection of connector
 - b) confirm whether wire harness is fixed.

15. FUNCTION CHECK

- 1) Re-connect battery negative terminal.
- 2) Confirm all switch function are working on Instrument Lower Panel LH.
- 3) Confirm "INFINITI" text is illuminated when either door is in the opened position. Manual engage door switch to verify Illuminated Kick Plate ON/OFF function is working.

16. REINSTALLATION OF REMOVED PARTS

- 1) All removed vehicle parts have been reinstalled.

CAUTION

- Use caution when re-installing interior components to avoid damage, scratch, or breaking of mounting clips.

- 2) Clean interior of vehicle.

17. VEHICLE CHECK

- 1) Remove all tools from the vehicle.
- 2) Inspect reinstalled interior trim parts for proper panel fit.
- 3) Reset radio presets to the recorded setting.
- 4) Turn ignition to ON position.
- 5) Confirm proper radio operation.
- 6) Initialize sun roof, and power window operation.
- 7) Confirm proper operation of the rear window washer fluid.
- 8) Confirm the functionality of all four blinkers and hazard warning signal flasher.
- 9) Confirm the operation of all door lock and unlock using remote key.
- 10) Reset windows. When window is completely up, continue to hold in up position for 4 seconds.
- 11) Turn ignition to off position.

CAUTION

- During restoring, please use caution to avoid the pinching or breaking of the vehicle's harness, or damage any other parts.