

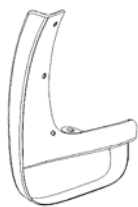


GENUINE PARTS

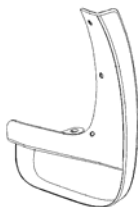
INSTALLATION INSTRUCTIONS

1. DESCRIPTION:	Rear Splash Guard Kit
2. APPLICATION:	QX70
3. PART NUMBER:	999J2 EV004
4. KIT CONTENTS:	

Item	QTY	Description	Part Number
A	1	Splash Guard – Rear RH	---
B	1	Splash Guard – Rear LH	---
C	2	Push Pin	15-53 09241
D	6	Metal J-Clip	12-41 01011
E	6	M5 x 20mm Screw	14-51 00891
F	1	Installation Instructions Replacement Template	999V2 AW000



A



B



C



D



E

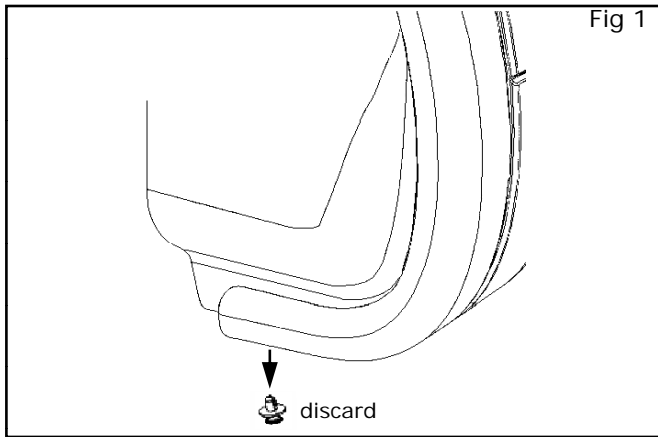


F

5. TOOLS REQUIRED:	<ul style="list-style-type: none"> • clean rag • #2 phillips screwdriver • 10mm socket w/ ratchet 	<ul style="list-style-type: none"> • drill • marking tool (awl) 	<ul style="list-style-type: none"> • 6mm (1/4") drill bit • 10mm (13/32-7/16") drill bit
---------------------------	--	---	--

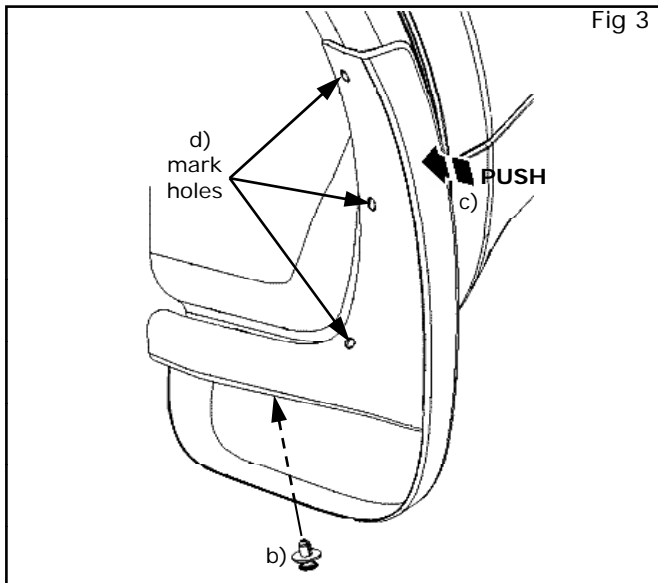
6. PRE-INSTALLATION CAUTIONS/NOTES:	<ul style="list-style-type: none"> • These installation instructions are for the left side of the vehicle; the same procedure applies to the right side.
--	---

7. INSTALLATION PROCEDURE:



- 1) Remove existing fastener.
 - a) Remove and discard the push pin from underneath the rear fascia.
 - b) Clean installation surface.

- 2) Enlarge the hole in the liner that you removed the push pin from using the 10mm drill bit.

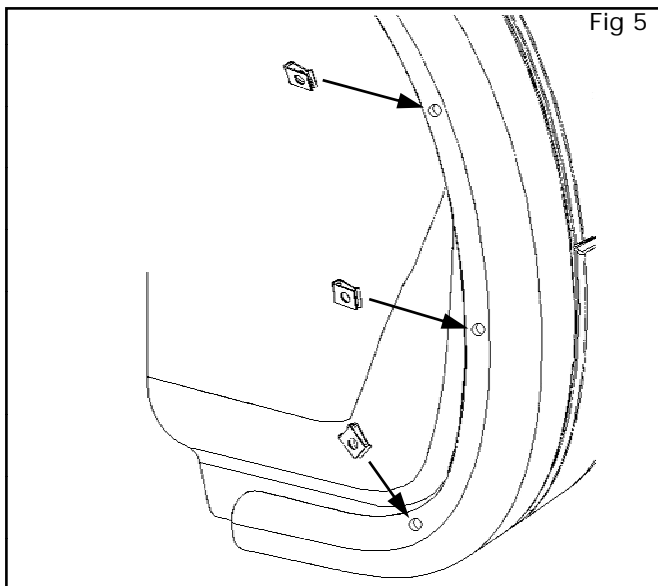


- 3) Mark the screw holes.
 - a) Align splash guard to vehicle.
 - b) Temporarily install new push pin (do NOT fully install) to help locate splash guard.
 - c) Push inward and upward to ensure there are no gaps.
 - d) Mark hole centers with awl.

NOTE:

HOLD THE SPLASH GUARD TIGHT TO THE VEHICLE WHILE MARKING HOLES TO ENSURE NO GAP OCCURS BETWEEN VEHICLE AND SPLASH GUARD.

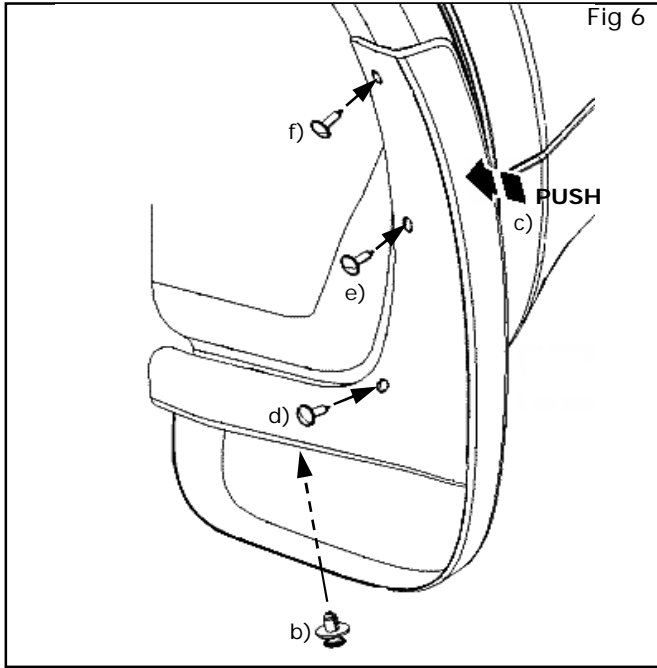
- 4) Remove splash guard and drill a 6mm (1/4") hole at each marked location. (Remove the bolt from the underside of the fascia if extra clearance is required for drilling - reinstall bolt after drilling.)



- 5) Install 3 spring clips on fender trim edge.

NOTE:

INSTALL SPRING CLIP WITH FLAT EDGE ON OUTSIDE OF FASCIA.



- 6) Install rear splash guard.
 - a) Align splash guard to vehicle.
 - b) Install push pin through hole in tab.
***** IMPORTANT!!! *****
BE SURE THAT PUSH PIN GOES THROUGH REAR FASCIA AND LINER.
 - c) Push inward and upward.
 - d) Install lower screw.
 - e) Install middle screw.
 - f) Install upper screw.

NOTE:

HOLD THE SPLASH GUARD TIGHT TO THE VEHICLE WHILE INSTALLING SCREWS TO ENSURE NO GAP OCCURS BETWEEN VEHICLE AND SPLASH GUARD.