



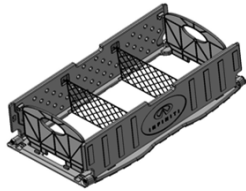
GENUINE PARTS

INSTALLATION INSTRUCTIONS

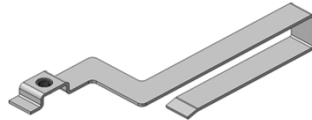
DESCRIPTION:	Cargo Organizer
APPLICATION:	QX70
PART NUMBER:	999C2 EV001BK & 999C2 EV000BE

KIT CONTENTS:

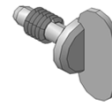
Item	Qty.	Part Description	Service Part Number
A	1	Cargo Organizer	999C2 EV001BK / EV000BE
	1	Hardware Kit	---
B	2	Attachment Brackets	---
C	2	Attachment Fasteners	---
D	1	Installation Instruction Replacement Template	999V2 AW000



A



B



C



D

TOOLS REQUIRED:

- No tools required.

PRE-INSTALLATION WARNINGS, CAUTIONS, CRITICAL STEPS, and NOTES:

- Dealer Installation Recommended. Instructions may refer to Service Manual.
- To maintain the luster of your organizer, clean with a cloth as required using standard automotive vinyl, leather and upholstery cleaners or soap and water.
- If the vehicle is equipped with a rear cargo cover, make sure the Cargo Organizer is in the closed position when using the Tonneau Cover.

⚠ WARNING

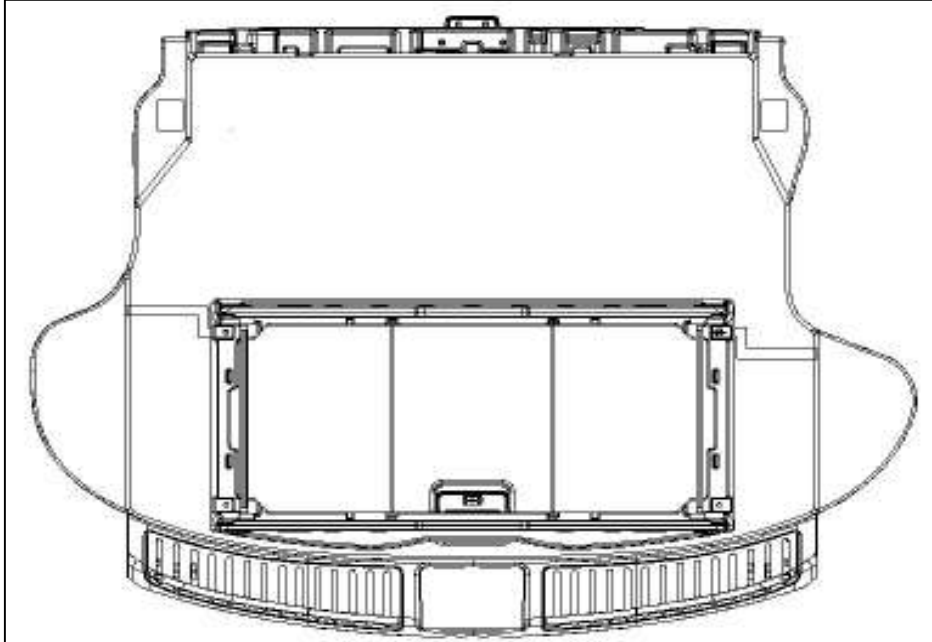
- **Your Cargo Organizer is designed to transport normal cargo contents. Flammable or dangerous materials should not be transported in your vehicle at any time. If any corrosive chemicals are spilled on your organizer it should be cleaned as described above.**
- **When using this organizer, avoid sudden starts/stops or sharp turns as this may cause contents to come out of the organizer.**

⚠ CAUTION

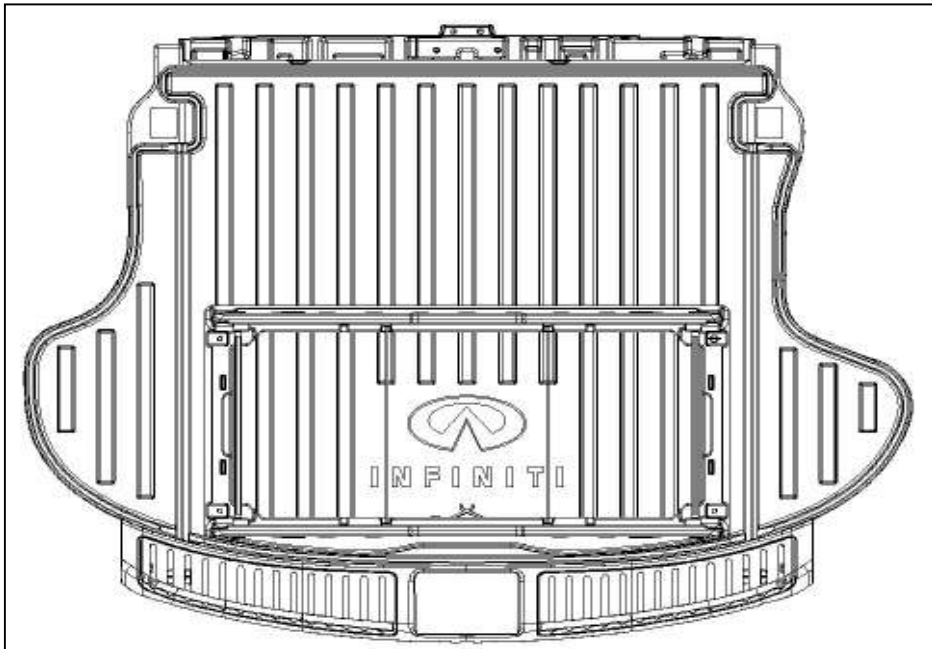
- **Ensure attachment brackets are securely fastened to the load floor and organizer.**
- **Do not exceed the recommended load of 20 lbs (9 kg) in the organizer.**
- **If not being used, the dividers should be in the closed position.**
- **Remove brackets from the load floor when organizer is not in place.**
- **DEALER - Provide these installation instructions to the customer as reference for proper operation and care of this unit**

INSTALLATION OVERVIEW:

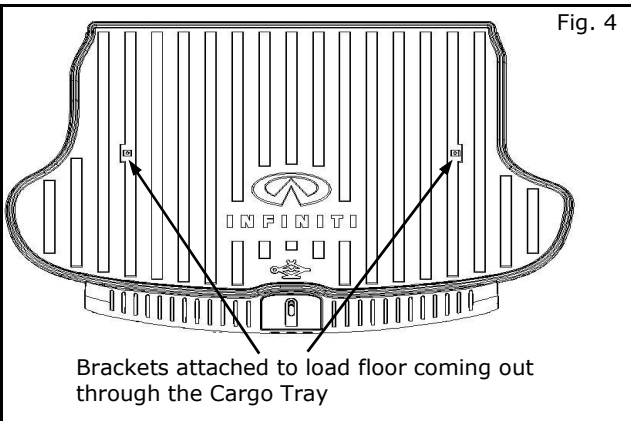
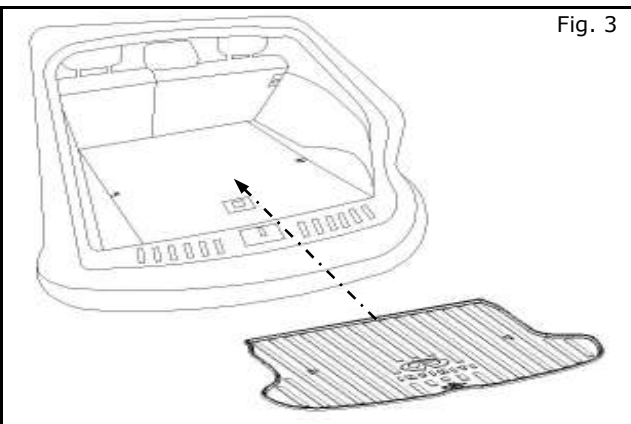
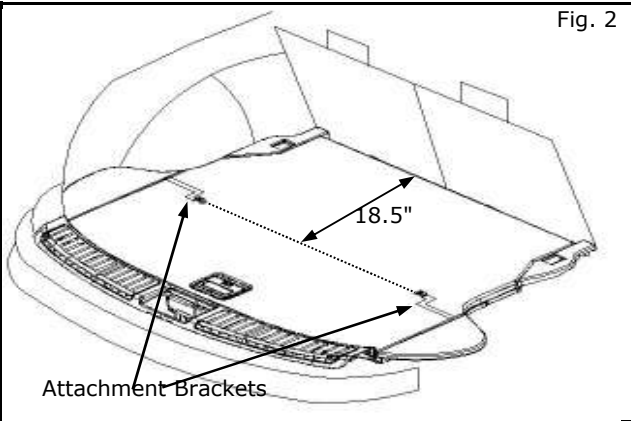
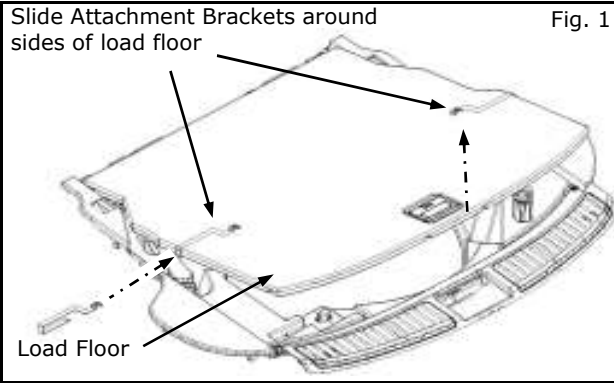
Organizer installed without Cargo Tray Accessory



Organizer installed with Cargo Tray Accessory

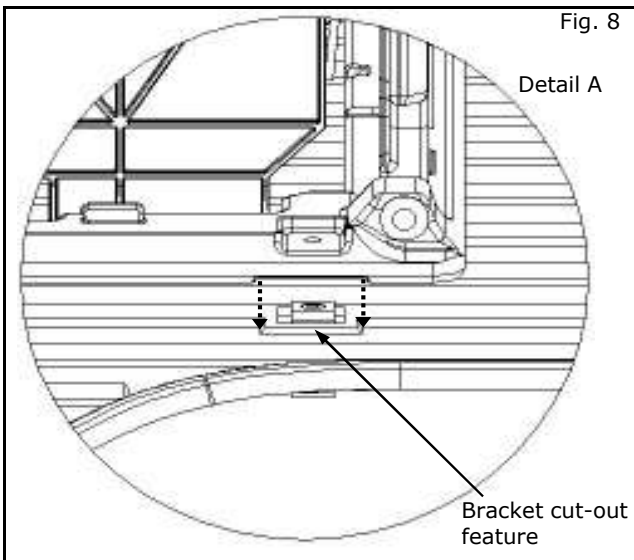
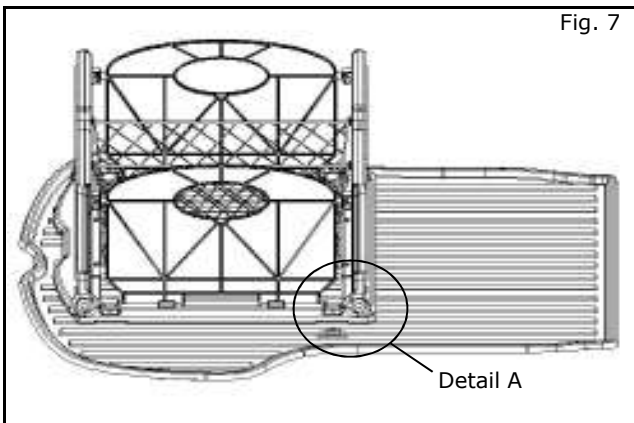
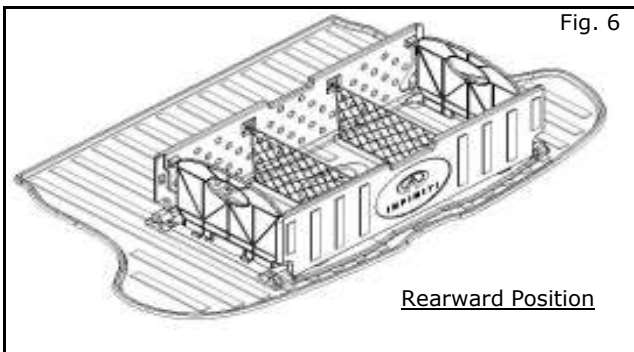
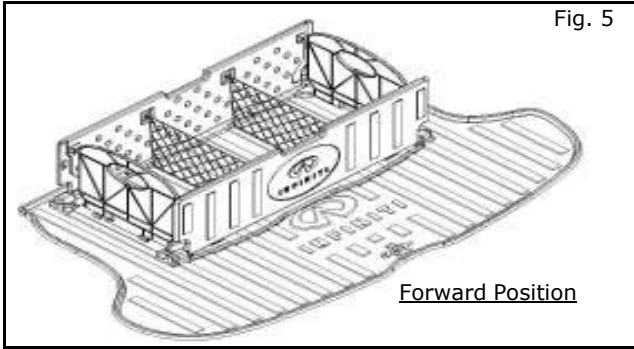


INSTALLATION PROCEDURE:



- 1) Installing the Attachment Brackets
 - a) Lift up load floor high enough that Attachment Brackets (B) can be slid onto both sides of load floor (see Fig 1).
 - b) Position the edge of the brackets 18.5" from the forward edge of the load floor on both sides.
 - c) After Attachment Brackets have been positioned to load floor, lower load floor to normal vehicle position.
 - d) If equipped, place Cargo Tray Accessory in vehicle. Ensure Attachment Brackets are accessible through Cargo Tray openings (see Figs. 3 & 4).

INSTALLATION PROCEDURE:



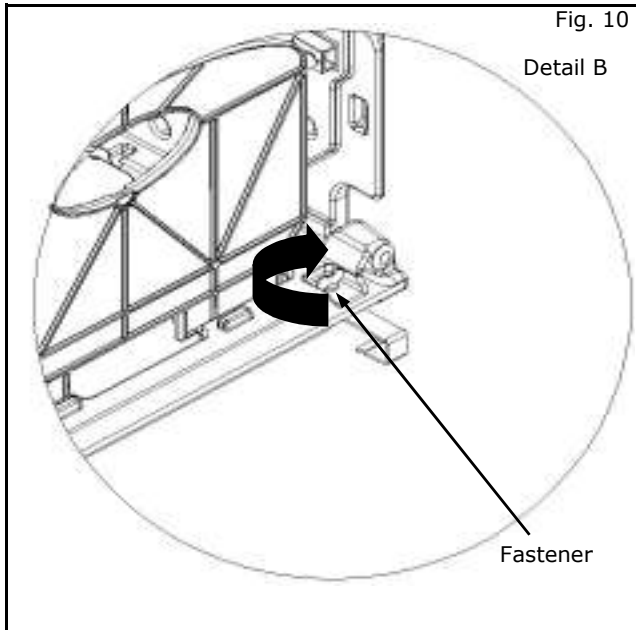
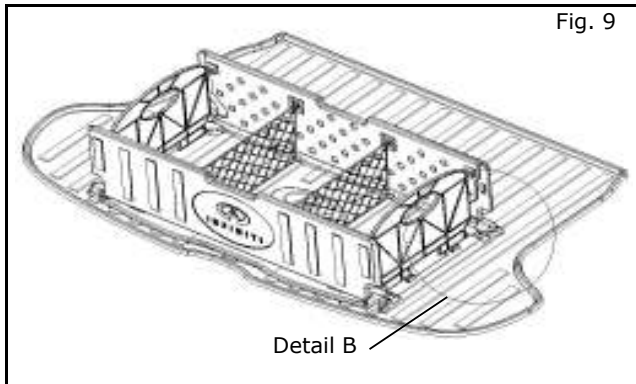
2) Aligning Cargo Organizer with Attachment Brackets

a) With Cargo Tray, there are 2 positions Cargo Organizer can be installed (see Figs. 5 & 6).

b) Choose either Position (Forward or Rearward) and place Cargo Organizer over Attachment Brackets.

c) The Cargo Tray will help to align Cargo Organizer over Attachment Brackets. Ensure that bracket cut-out feature seats snugly to underside of Cargo Organizer.

INSTALLATION PROCEDURE:



- 3) Fastening Organizer to Attachment Brackets
 - a) Starting with passenger side, insert and turn Attachment Fastener (C) clockwise until fastener engages with Attachment Bracket.
 - b) Repeat step 3a) for driver's side .
 - c) After fasteners are engaged with brackets, begin to tighten each side down evenly until Organizer is securely fastened.
 - d) To remove, simply turn fasteners counterclockwise and remove Cargo Organizer.

NOTE:

Always check to make sure fasteners are holding Cargo Organizer firmly to Load Floor.