



INFINITI.

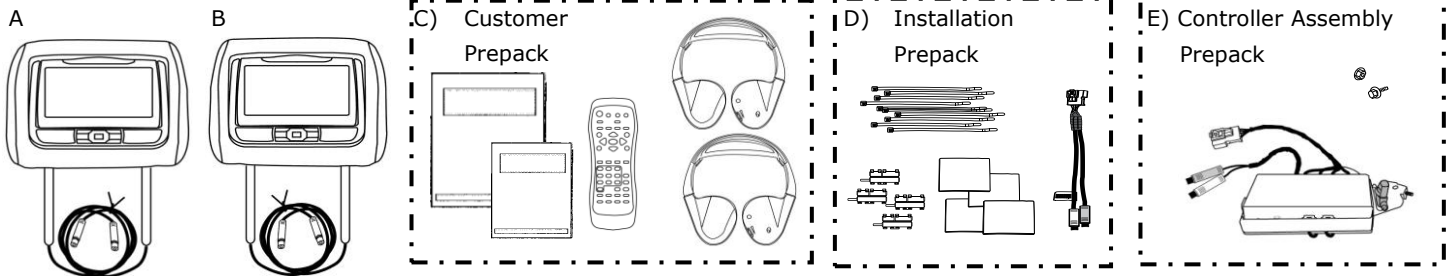
GENUINE PARTS

INSTALLATION INSTRUCTIONS

DESCRIPTION:	DUAL DVD HEADRESTRAINT MONITOR
APPLICATION:	QX60 (2014) with VINs less than 516556
PART NUMBER:	Dual DVD Headreststraint Monitor Leather, (G;1) Graphite - 999U8 RZ000 (without Factory FES) Dual DVD Headreststraint Monitor Leather, (C;1) Wheat - 999U8 RZ001 (without Factory FES) Dual DVD Headreststraint Monitor Leather, (P;1) Java - 999U8 RZ002 (without Factory FES) Supplemental Kit - 999U8 RZ008 (with TCU, Telematics Control Unit, only) Accessory Service Connector - 999Q9 AY000 (with TCU only and not already equipped)

KIT (999U8 RZ000/1/2) CONTENTS:

Item	Qty.	Part Description	Service Part Number	
A	1	DVD Headreststraint Monitor, Driver (DR)	See Service Part Number list at end of manual	
B	1	DVD Headreststraint Monitor, Assist (AS)		
C	1	Customer Prepack		
	2	• Wireless Headphones w/Batteries		
	1	• Remote Control w/Batteries		
	1	• Owner's Manual		
	3	• Quick Reference Guide		
D	1	Installation Prepack		
	16	• Cable Tie		
	4	• Security Clamp		
	4	• Foam Tape Strip		
	1	• 16-Pin Jumper Harness, Driver		
E	1	Controller Assembly Prepack		
	1	• Control Module and Bracket Assembly		
	1	• M5 Flange Nut		
	1	• M6 Flange Bolt		
				08146-6102G



TOOLS REQUIRED:

- Socket, 8mm and 10mm
- Ratchet, 1/4" Drive
- Torque Wrench
- Plastic Removal Tool
- Diagonal Cutters
- Consult 3+, ASIST Tool

Please call Invision tech-line help at 866-869-7888 for any installation, repair or warranty assistance.

PRE-INSTALLATION WARNINGS, CAUTIONS, CRITICAL STEPS, and NOTES:

NOTE: This is a common installation kit so all parts may not be use

PRE-INSTALLATION WARNINGS, CAUTIONS, CRITICAL STEPS, and NOTES: (continued)

⚠ CAUTION

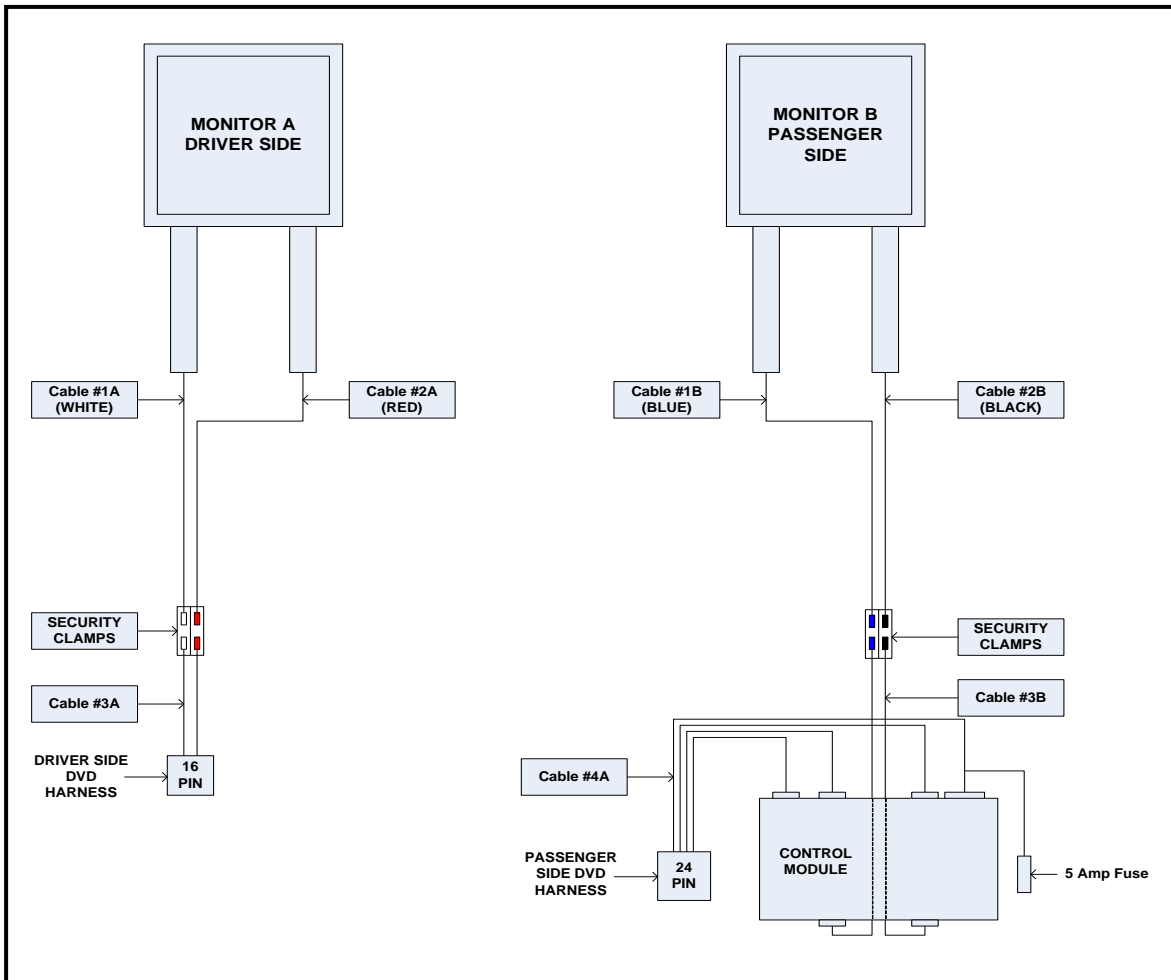
- **Caution** Dealer installation ONLY.
- **Caution** Cut the excess cable tie(s) as flush with the head as possible. Face head of cable tie away from sheet metal and other objects.
- **Caution** Use caution when removing/re-installing interior components to avoid damage, scratches, or breaking of mounting clips.
- **Caution** Ensure the Owner's Manual and Quick Reference Guide are placed in the vehicle glove box.

Critical Steps: The following steps are critical and must be performed **EXACTLY** as specified to ensure proper installation.

- Critical Step 1. All Cable and Harness routing instructions need to be followed as described to avoid interferences or system failure.
- Critical Step 2. Ensure headrests are set to the highest position when routing the cables to connect to the control module assembly.

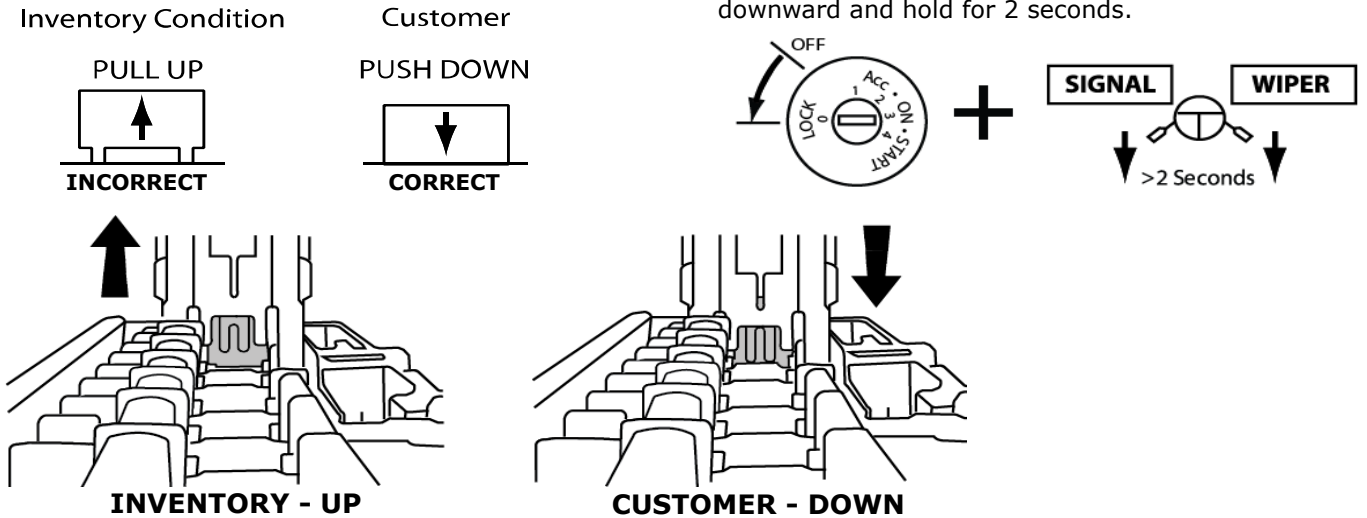
INSTALLATION OVERVIEW:

System Block Diagram



VEHICLE PREPARATION PROCEDURE:

- 1) Apply parking brake.
- 2) Confirm the vehicle is no longer in the default shipping state (Extended Storage Switch Pulled Up and BCM in Transit Mode). Failure to confirm the vehicle has been removed from this state will result in the loss of normal vehicle operation. The confirmation requires two checks:
 - 2a) Locate the Extended Storage Switch in the cabin fuse block. Once located, check that it is in the "Customer" position. See below for reference.
 - 2b) Turn the ignition switch from "OFF" to "ON" position. If turn indicators illuminate for approx. 1 minute, the vehicle is in shipping mode. To exit shipping mode, return the ignition switch to "OFF" position. Simultaneously push the wiper and turn signal stalks downward and hold for 2 seconds.



NOTE: Typical vehicle condition shown above. Switch is easily identifiable by the permanent, push-pull fuse holder. Actual position on the fuse block may vary, vehicle to vehicle.

- 3) Turn ignition switch to "ON" position.
- 4) Record the customer radio presets and other presets as required.

Preset	1	1	2	3	4	5	6	7
A								
B								
C								

- 5) Put shift lever in "P" position for A/T and CVT or "1st" for M/T.
- 6) Turn ignition switch to "OFF" position.
- 7) Open the engine hood.

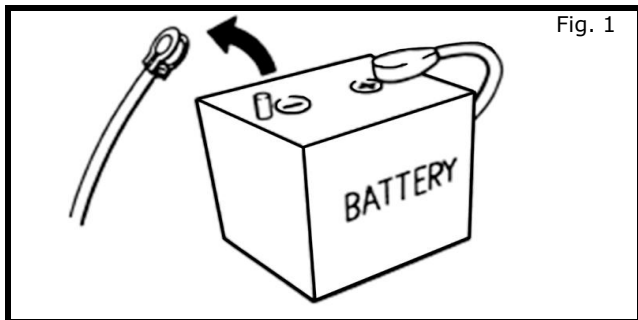
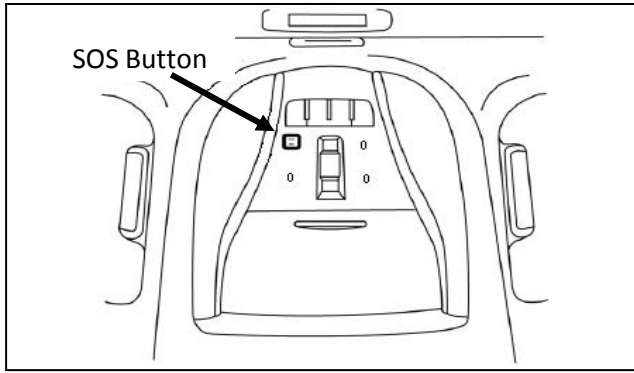


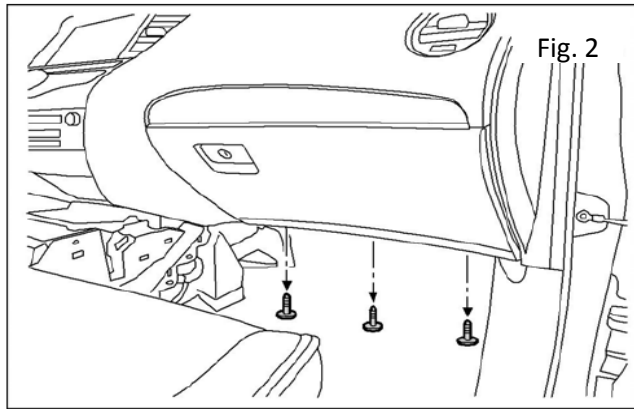
Fig. 1

- 8) Disconnect negative battery terminal to prevent short circuits during installation procedure. Figure 1
 - a) Set power seats to Full Up and Rearward most positions.
 - b) Disconnect negative battery terminal.

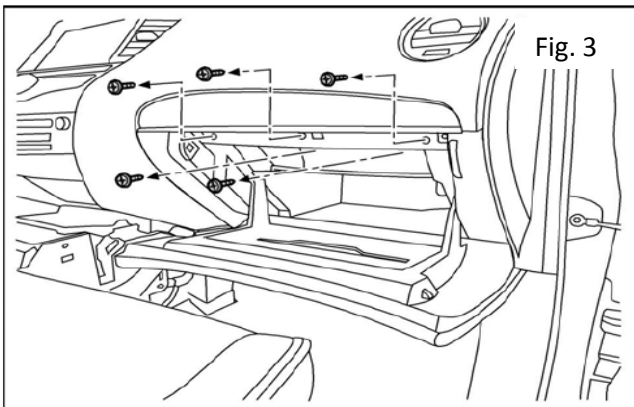
VEHICLE PREPERATION PROCEDURE:PART I - Supplemental Kit



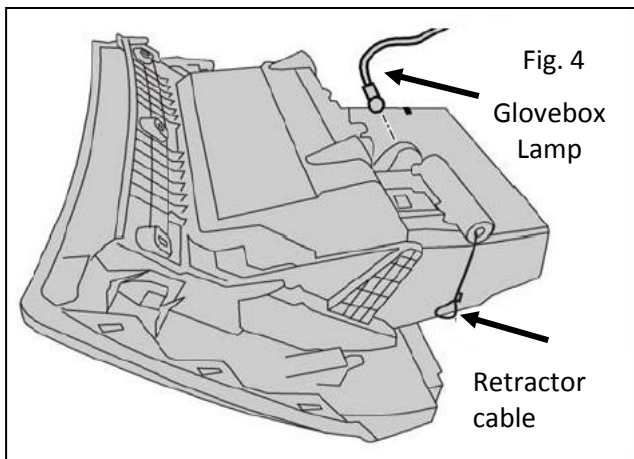
NOTE: Complete the Supplemental Kit installation prior to Headrest Installation on all vehicles with " TCU (Telematics Control Unit)". Check for <SOS> button in Map Lamp Assembly in headliner above.



- 9) Remove three (3) phillips head screws from the underside of the glovebox. Figure 2

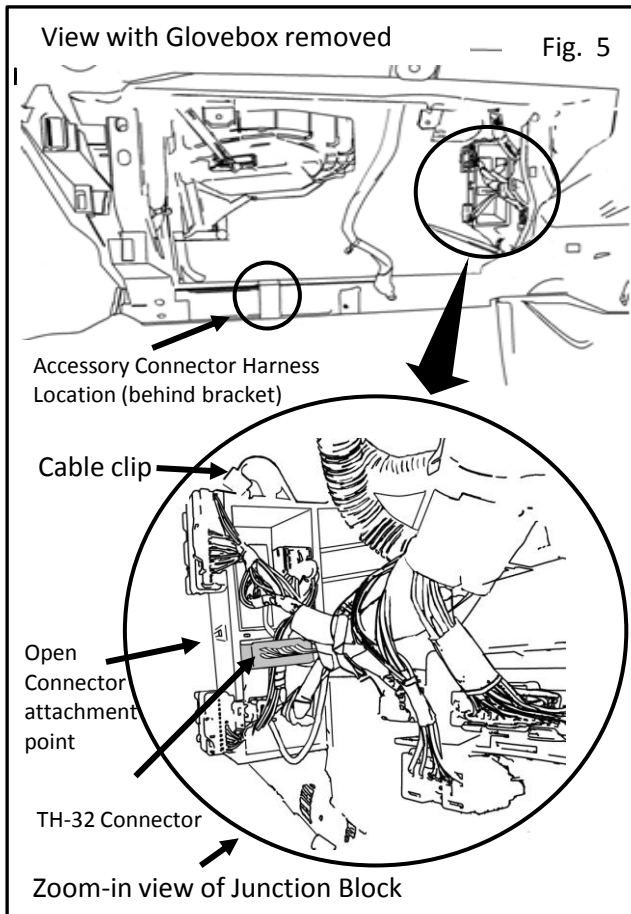


- 10) Open the glovebox door. Remove five (5) philips head screws from inside the glovebox compartment. Figure 3



- 11) Carefully pull out the glove box assembly. Remove the glovebox lamp and disconnect the retractor cable. Fully remove the glovebox assembly and set aside. Figure 4

INSTALLATION PROCEDURE:PART I - Supplemental Kit



12a) Locate the Junction Block and Accessory Connector Harness. Figure 5

a) Junction Block is located behind the glove box along the right side of the interior foot well kick panel.

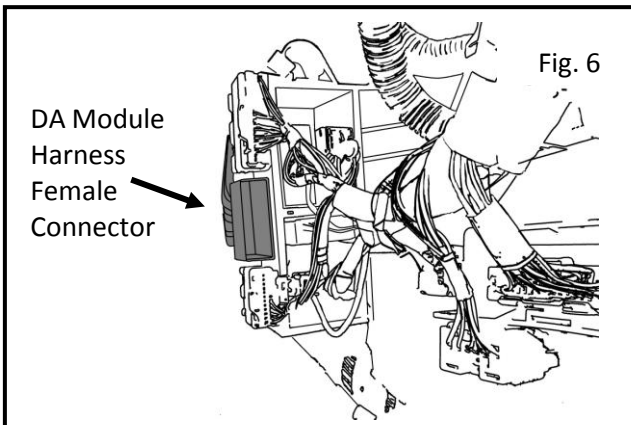
b) Accessory Connector Harness is located behind the glove box frame. It is wrapped in foam tape. Remove dummy plug.

12b) Harness location points: Zoom-in Figure 5

a) Locate the open connector attachment point on left side of junction block.

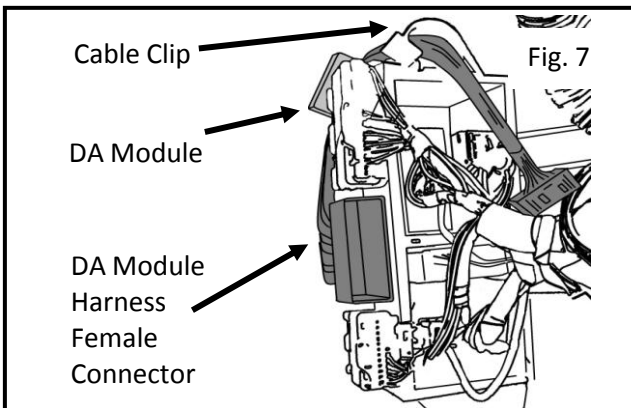
b) Locate cable clip at top of the junction block.

c) Locate the TH-32 connector attached to the junction block.



13) Attach the Female 32 pin connector of the Supplemental Kit harness to the open attachment point along the left side of the junction block. Figure 6

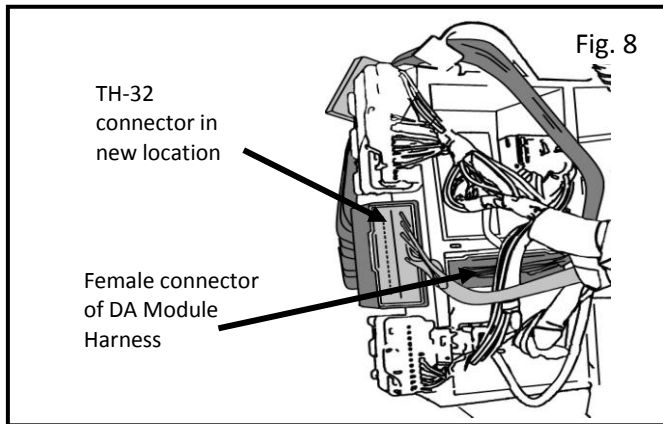
NOTE: Supplemental Kit module and Supplemental Kit Cable route behind the Junction Block.



14) Route Supplemental Kit harness along back of connector block and through large cable clip at top of junction block. Figure 7

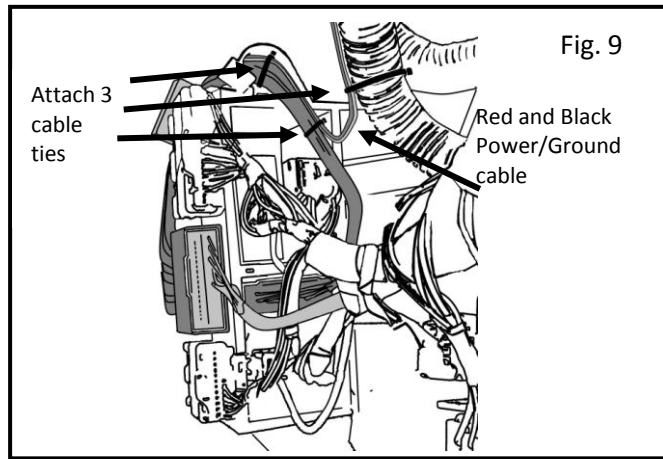
NOTE: Supplemental kit module and Supplemental Kit Cable route behind the Junction Block.

INSTALLATION PROCEDURE:PART I - Supplemental Kit (continued)

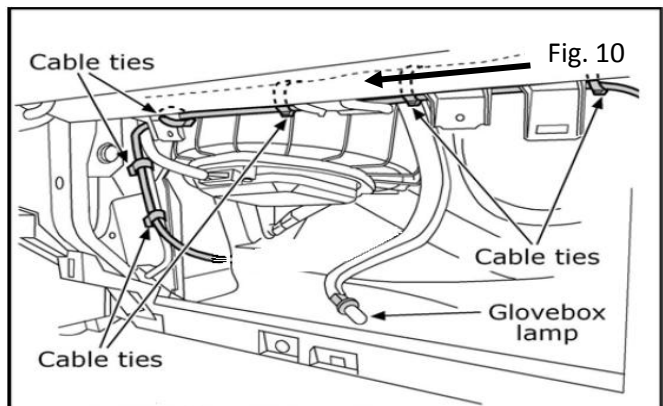


15) Disconnect the TH-32 connector from the connector block and insert into the female connector of the Supplemental Kit harness. Figure 8

16) Insert Male connector of the Supplemental Kit harness into the female connector previously used by the TH-32 Connector. Figure 8



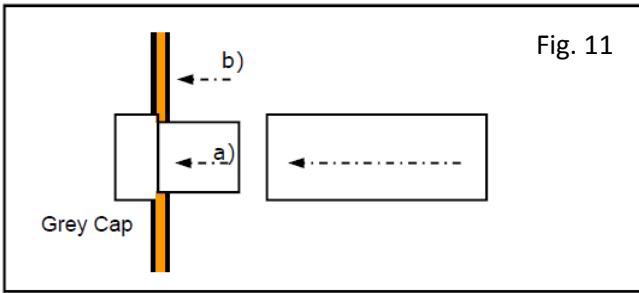
17) Route Red and Black Power/Ground cable along DA Module Harness and over to Main Factory Harness. Route upward to top of Glovebox frame. Use 3 cable ties to secure Supplemental Kit harness and factory harness. Figure 9



18) Route the Red and Black cable along the existing harness at the top of the glovebox cavity and in towards the center console. Secure with (6) cable ties as shown. Figure 10

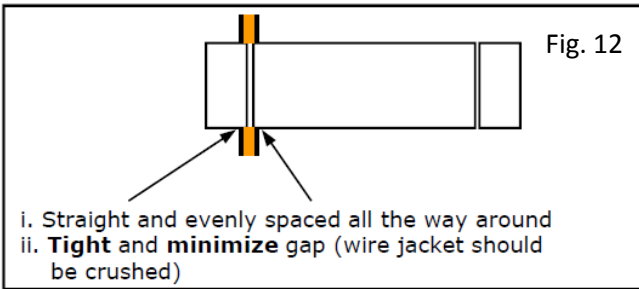
NOTE: Do NOT secure the wiring to the blower motor housing in any way.

POSI-TAP INSTRUCTIONS:PART I - Supplemental Kit (continued)

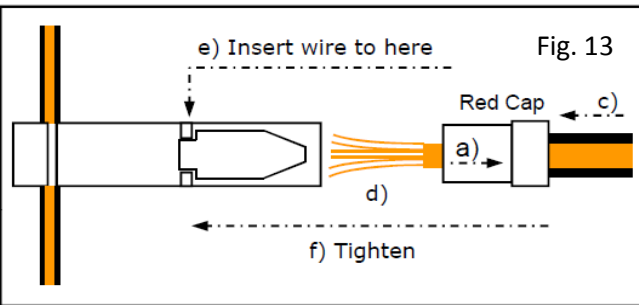


- 19) Tap Vehicle wire. Figure 11
 a) Remove grey cap (slot side) from tap body
 b) Slide cap around vehicle wire.
 c) Tighten the tap **TIGHT** with finger pressure.

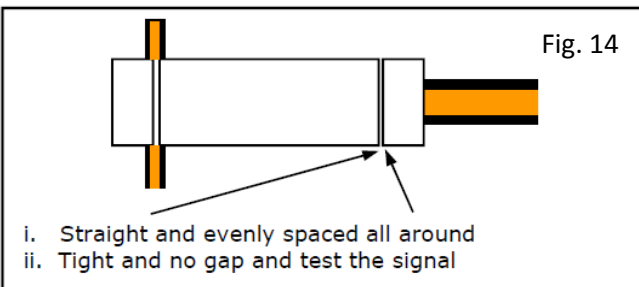
NOTE:Do not re-use the tap for subsequent re-installation. Figures are not to scale



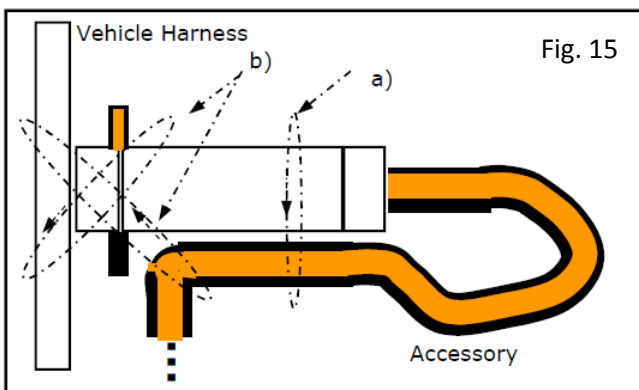
- 20) Inspect the tap to ensure correct installation. Figure 12
NOTE: Avoid putting pressure on the vehicle wire and tap for the remainder of the installation.



- 21) Inspect the tap to ensure correct installation. Figure 13
 a) Remove red cap (non-pierce) side from tap.
 b) Remove the protective stub from the wire.
 c) Insert wire through the non-pierce side opening.
 d) Spread the individual strands into fan shape.
 e) Insert wire into the tap body and ensure that it is all the way in.
 f) Tighten the tap **TIGHT** with finger pressure.



- 22) Confirm the tapped accessory wire. Figure 14
 a) Inspect the tap to ensure correct installation
 b) Test the signal to ensure that it is working properly.

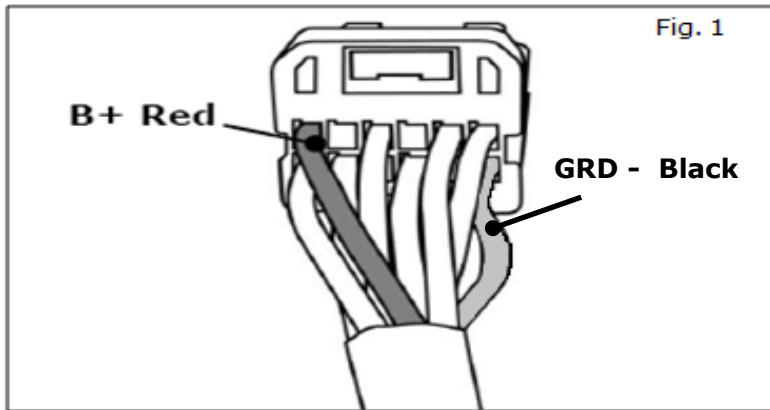
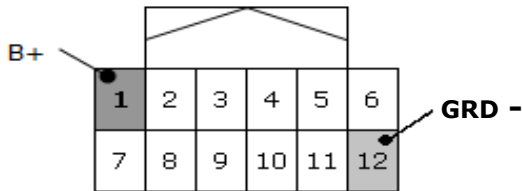


- 23) Secure the tap. Figure 15
 a) Secure the tapped wire on the non-pierce side to the body of the tap with electrical tape (> 2 revolutions).
 b) Secure the body to harness where vehicle wire is being tapped with electrical tape (> 2 revolutions).

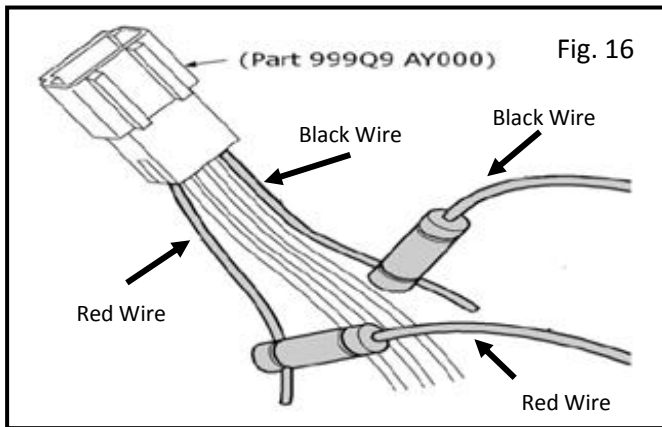
INSTALLATION PROCEDURE:PART I - Supplemental Kit (continued)

⚠ CAUTION

This Accessory Service Connector is for use only with Genuine Nissan(or Infiniti) or Nissan (or Infiniti) approved accessories. Use of this connector with non Genuine Nissan (or Infiniti) or Nissan (or Infiniti) approved accessories or failure to follow the installation instructions for the connector contained in this package may result in damage to the accessory and/ or your vehicle. Nissan (or Infiniti) is not liable for loss or damage due to improper installation or the installation of non Genuine or non approved accessories.



9999Q9 AY000		
PIN	Label	Color
1	BAT	RED
2	N/A	N/A
3	ACC	ORANGE
4	N/A	N/A
5	BATSVR	PINK
6	DOOR	GREEN
7	CROSS2	DK BLUE
8	CROSS1	LT BLUE
9	N/A	N/A
10	RM LMP	YELLOW
11	N/A	N/A
12	GND	BLACK



24) See page 7 for posi-tap instructions.

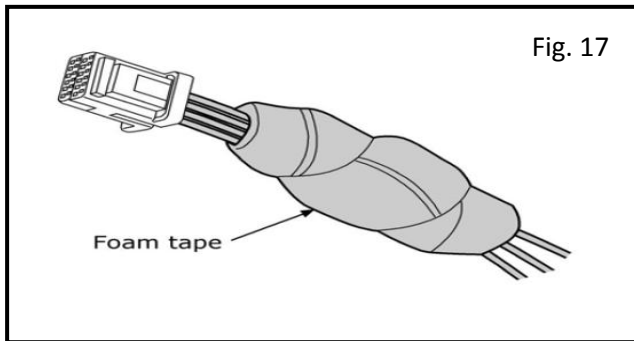
Using a posi-tap, connect the black wire from the Supplemental Kit harness to the black wire of the Accessory Connector Harness. Figure 16

Using a posi-tap, connect the red wire from the Supplemental Kit harness to the red wire of the Accessory Connector Harness.

Plug the Accessory Connector Harness into the vehicle connector plug on the passenger side behind lower frame of the Glovebox.

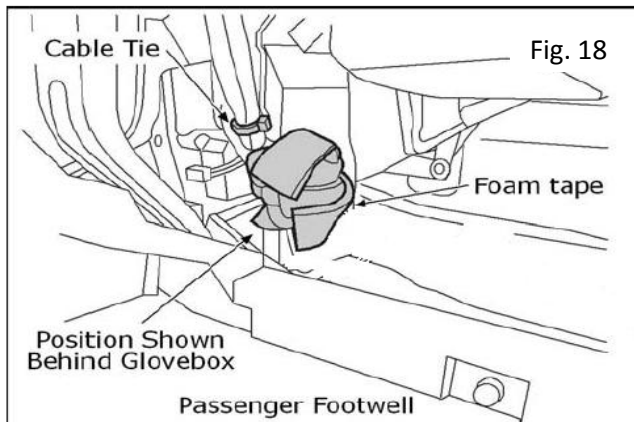
HARNESS NOT INCLUDED IN KIT. REFERENCE PART NUMBER 999Q9 AY000

INSTALLATION PROCEDURE:PART I - Supplemental Kit (continued)



- 25) Wrap the posi-taps with foam tape to prevent rattle. Figure 17

Plug the Accessory Connector Harness into the vehicle connector plug on the passenger side.

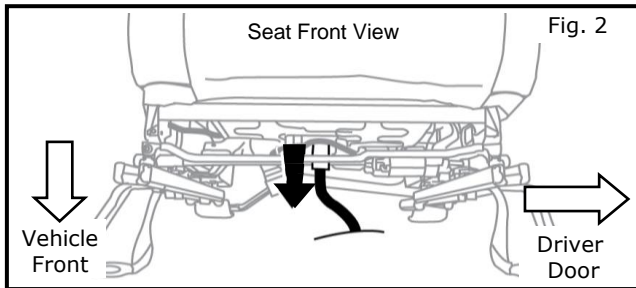


- 26) Use cable ties to bundle and secure any excess wiring to the existing harness along left side of glovebox frame. Use foam tape to wrap and secure the Accessory Connector Harness to prevent any squeak and rattle. Figure 18

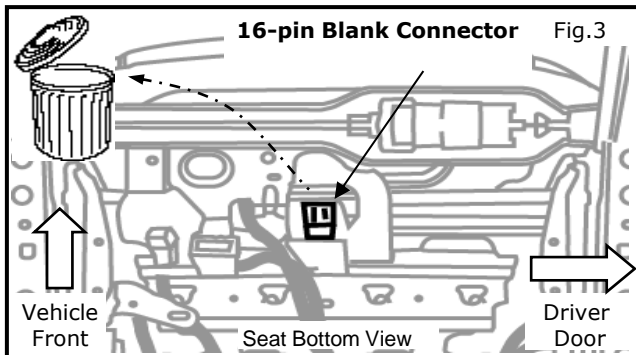
- 27) Reinstall Glovebox assembly

VEHICLE PREPARATION PROCEDURE:PART II - Dual DVD Headstraint Monitor

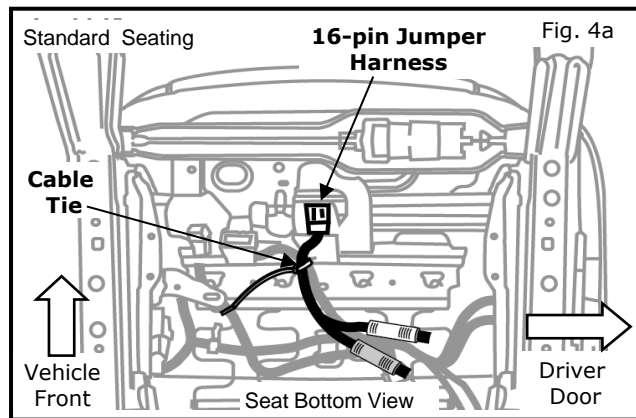
NOTE: Use caution when removing interior components to avoid damage, scratches, or breaking of mounting clips. Refer to the vehicle specific service manual for more information



- 9) Disconnect factory prewire harness from blank connector under **Driver** front seat. Figure 2



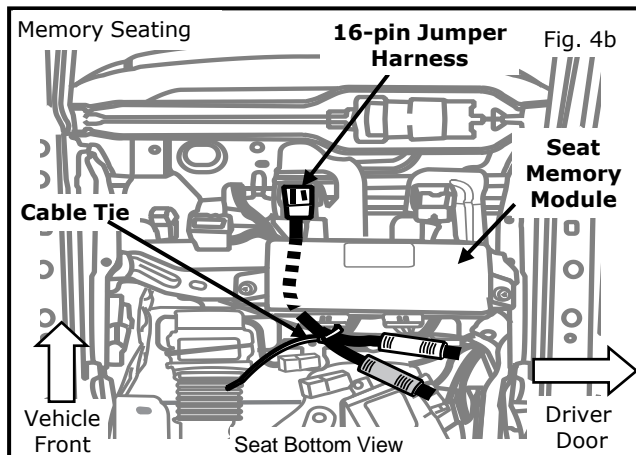
- 10) Using a plastic pry tool, remove and dispose of 16-pin blank connector under **Driver** front seat bottom. Figure 3



- 11) Install 16-pin jumper harness under **Driver** front seat.

For vehicles with Standard Seating:

- a) Install 16-pin jumper harness under standard **Driver** front seat by pressing harness attachment clip into two holes where blank connector was attached and secure with one cable tie. Figure 4a



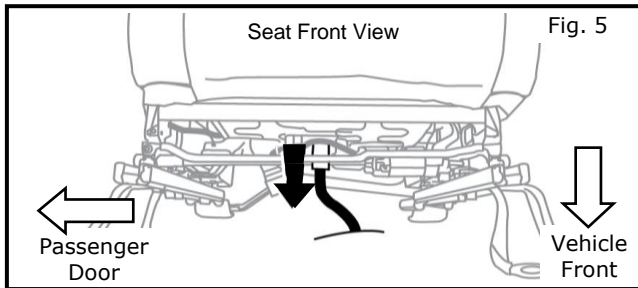
For vehicles with Memory Seating:

- a) Install 16-pin jumper harness under **Driver** front seat by pressing harness attachment clip into two holes where blank connector was attached. Figure 4b
- b) Continue routing two headrest cables above Seat Memory Module and towards rear of vehicle, secure with one cable tie. Figure 4b

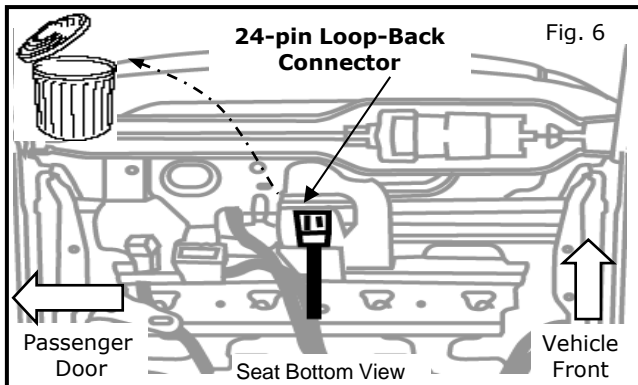
NOTE: Do not connect vehicle prewire harness to 16-pin jumper harness until step 18.2

VEHICLE PREPARATION PROCEDURE:PART II - Dual DVD Headstrait Monitor (continued)

NOTE: Use caution when removing interior components to avoid damage, scratches, or breaking of mounting clips. Refer to the vehicle specific service manual for more information

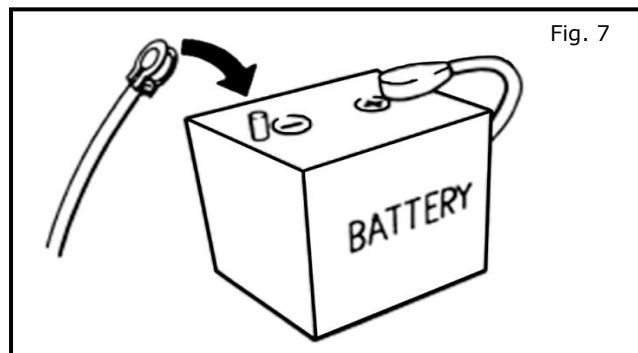


- 12) Disconnect factory prewire harness from loop-back connector under **Passenger** front seat. Figure 5



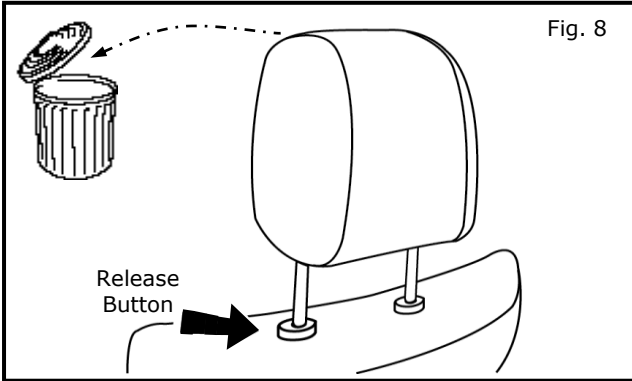
- 13) Using a plastic pry tool, remove and dispose of 24-pin loop-back connector under **Passenger** front seat. Figure 6

NOTE: Do not connect vehicle prewire harness to 24-pin jumper harness until step 18.2



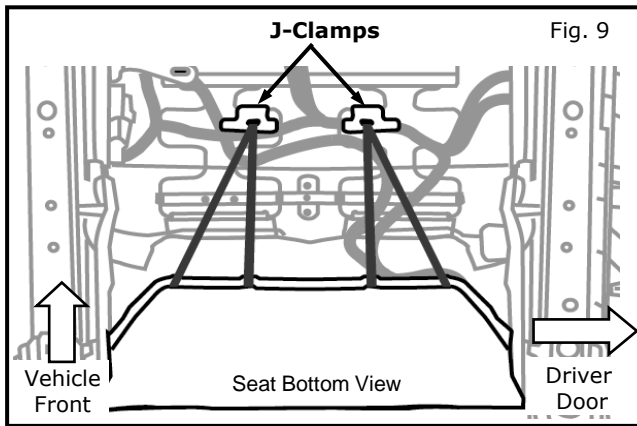
- 14) Reconnect negative battery terminal. Figure 7
- 15) Adjust **Driver** seat to Full Up and Forward positions.

INSTALLATION PROCEDURE:PART II - Dual DVD Headstrait Monitor -DRIVER SIDE SEAT



16) Driver Side DVD Headrest Installation

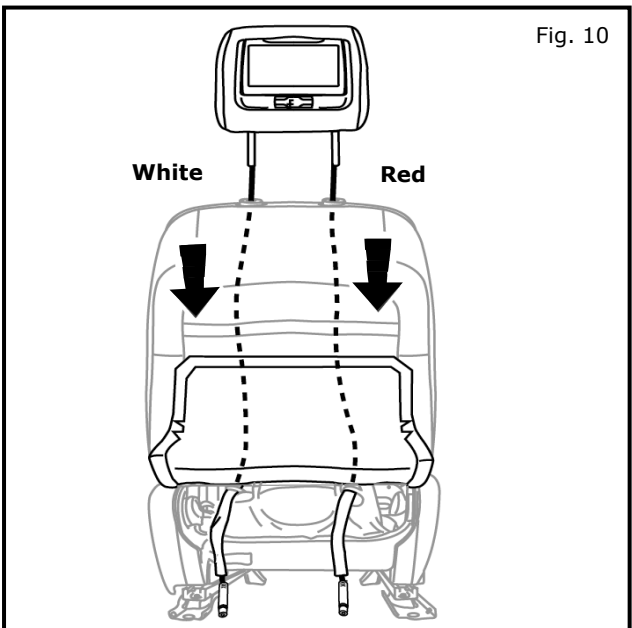
- 16.1) Remove and dispose of **Driver** headrest by pressing release button on seat post guide, and pulling up on headrest. Figure 6



- 16.2) Disconnect two j-clamps holding seat back apron to underside of **Driver** seat. Figure 9

NOTE: Use caution when inserting the DVD headrest posts to prevent damage/scratching of seat post guides and seating surface.

NOTE: Verify headrest material and color.



- 16.3) Insert driver DVD headrest cables (white/ red) into seat post guide holes of **Driver** seat as shown. Continue routing cables down though seat back and out of seat bottom. Figure 10

NOTE: When installing driver DVD headrest cables, it is important that DVD screen is positioned correctly. DVD screen must face rearward.

INSTALLATION PROCEDURE:PART II - Dual DVD Headrest Monitor - DRIVER SIDE SEAT (continued)

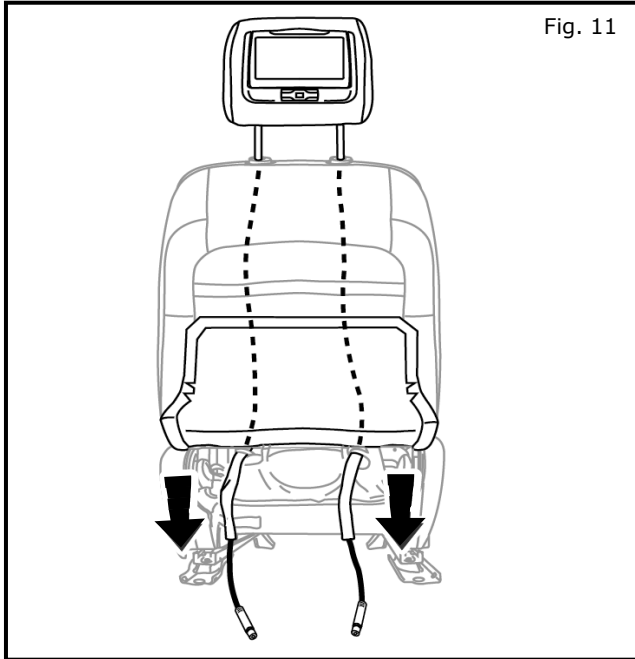


Fig. 11

- 16.4) Insert **Driver** DVD headrest posts into seat post guides. Lock DVD headrest into its highest position (Bottom-Most Notch). Figure 11
- 16.5) Pull on two headrest cables from seat bottom to remove all slack. Figure 11

NOTE: Before tightening wire ties, reconnect battery and exercise seat to ensure wiring does not interfere with seat movement. Disconnect battery when complete.

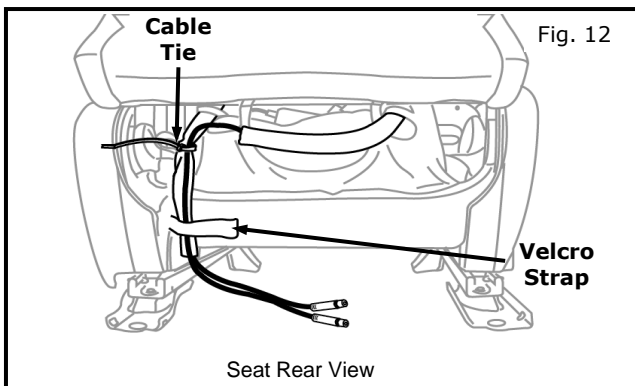


Fig. 12

- 16.6) Group two headrest cables to outboard side of vehicle by routing cable with red barrel connector toward cable with white barrel connector. Secure cables to seat harness using one cable tie as shown. Figure 12
- 16.7) Continue routing two headrest cables down and under seat. Secure cables using existing seat bottom Velcro strap. Figure 12

NOTE: Perform cable connection steps, 16.8 through 16.11, as noted to install DVD Headrest correctly for proper operation.

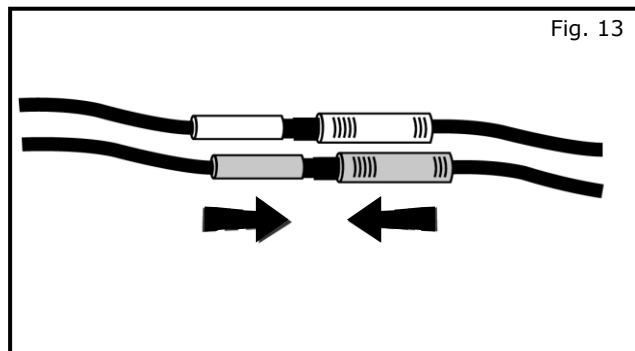
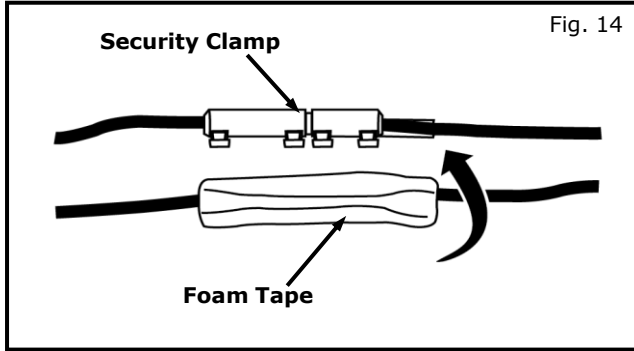


Fig. 13

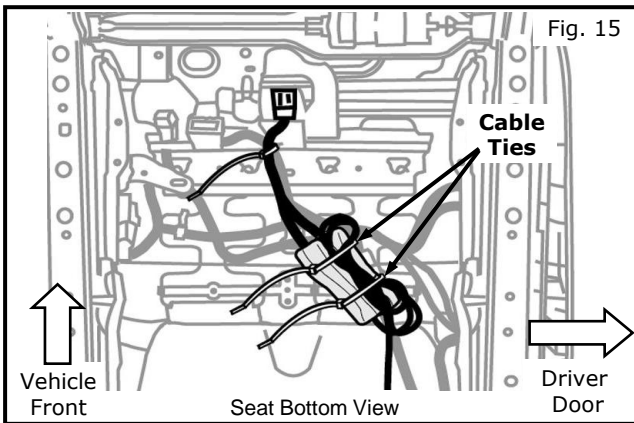
- 16.8) Continue routing two headrest cables toward front of vehicle. Connect red and white barrel connectors to matching red and white barrel connectors of 16-pin jumper harness. Figure 13

INSTALLATION PROCEDURE:PART II - Dual DVD Headstrait Monitor - DRIVER SIDE (continued)



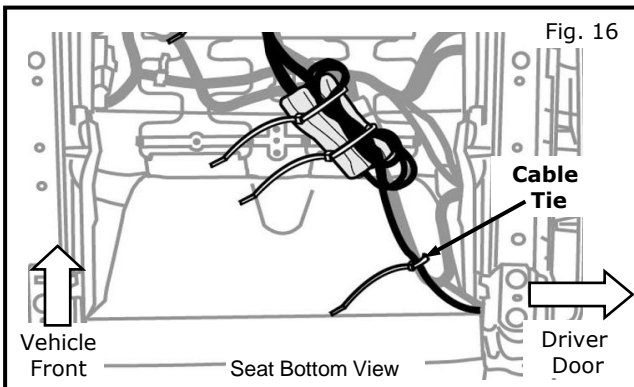
16.9) Secure barrel connectors using two security clamps. Place red barrel connectors into one security clamp and lock closed. Place white barrel connectors into second security clamp and lock closed. Figure 14

16.10) Apply one piece of foam tape over each security clamp. Figure 14



16.11) Use two cables ties to secure cable security clamps, cables and cable slack to factory harness. Figure 15

- Group two security clamps and cable slack together with factory harness.
- Use one cable tie on each side of security clamps (about 1/2" from foam tape ends) to secure.



16.12) Use one cable tie to secure cables to factory harness. Figure 16

16.13) Using diagonal cutters, cut all excess wire ties.

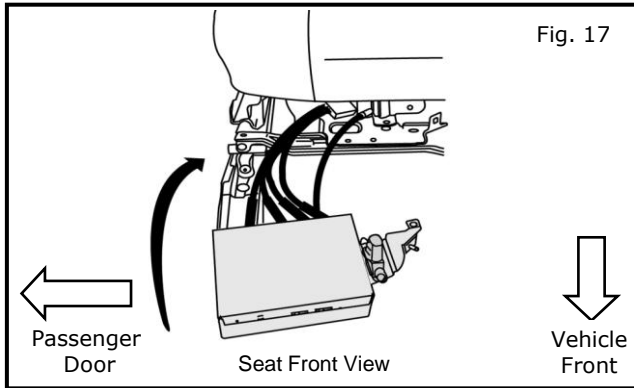
16.14) Reattach seat apron j-clamps.

NOTE: Do not connect vehicle prewire harness to 16-pin jumper harness until step 18.2

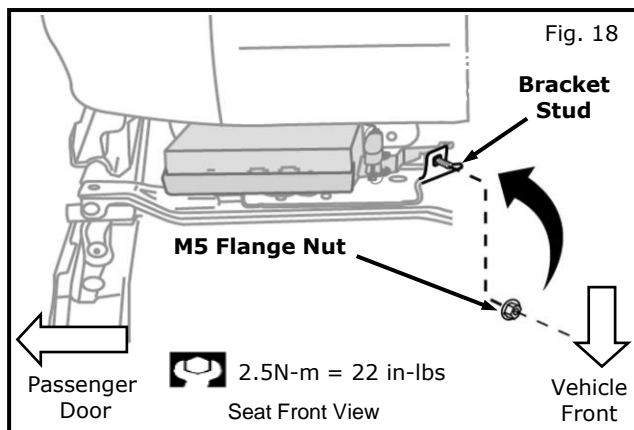
16.15) Continue to Passenger Side DVD Headrest Installation Step 17

INSTALLATION PROCEDURE:PART II - Dual DVD Headstrait Monitor - PASSENGER SIDE SEAT

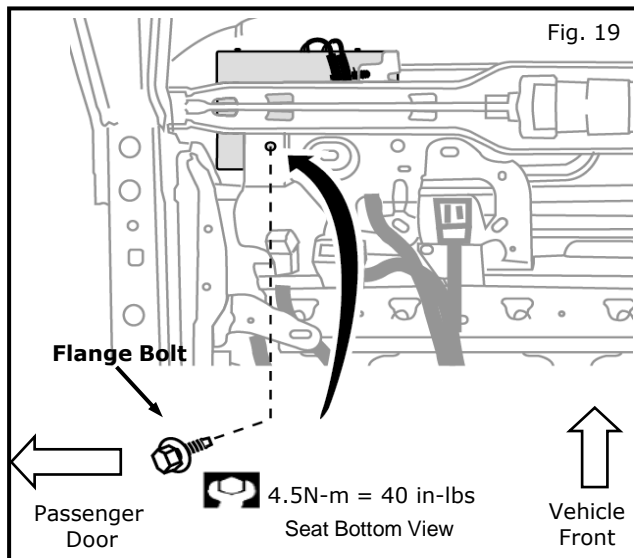
17) Passenger Side DVD Headrest Installation



- 17.1) Set Passenger power seat to Full Up and Rearward positions.
- 17.2) Place control module / bracket assembly into location shown. Figure 17

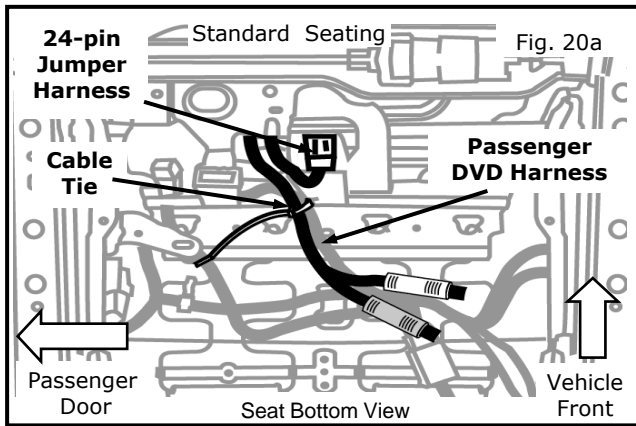


- 17.3) Install control module / bracket assembly by hand tightening one M5 flange nut onto bracket stud. Figure 18



- 17.4) Install one M6 flange bolt into location shown. Figure 19
- 17.5) Using a ratchet, tighten flange nut and flange bolt.
- a) 8mm socket for flange nut (2.5N-m = 22 in-lbs). Figure 18
 - b) 10 mm socket for flange bolt (4.5N-m = 40 in-lbs). Figure 19
- 17.6) Set **Passenger** seat to Full Up and Forward position.

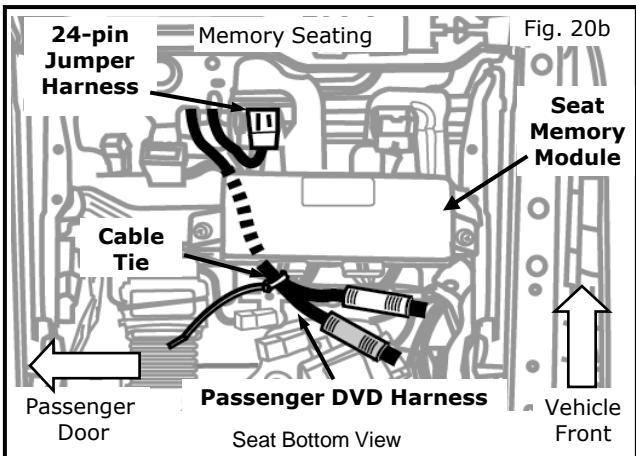
INSTALLATION PROCEDURE:PART II - Dual DVD Headstrait Monitor - PASSENGER SIDE SEAT (continued)



17.7) Install 24-pin jumper harness under **Passenger** front seat.

For vehicles with Standard Seating:

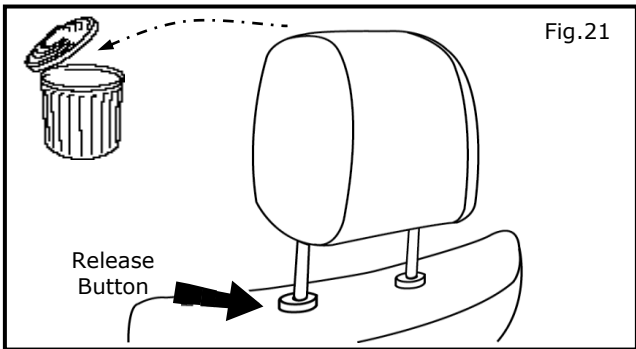
- a) Install 24-pin jumper harness under **Passenger** front seat by pressing harness attachment clip into two holes where loop-back connector was attached. Figure 20a
- b) Using one cable tie, secure **Passenger** DVD harness to factory harness as shown. Figure 20a



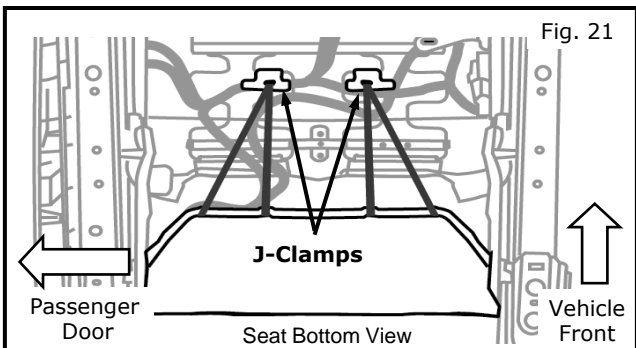
For vehicles with Memory Seating:

- a) Install 24-pin jumper harness under **Passenger** front seat by pressing harness attachment clip into two holes where loop-back connector was attached. Figure 20b
- b) Continue routing two headrest cables above Seat Memory Module and towards rear of vehicle, secure with one cable tie. Figure 20b

NOTE: Do not connect vehicle prewire harness to 24-pin jumper harness until step 18.3

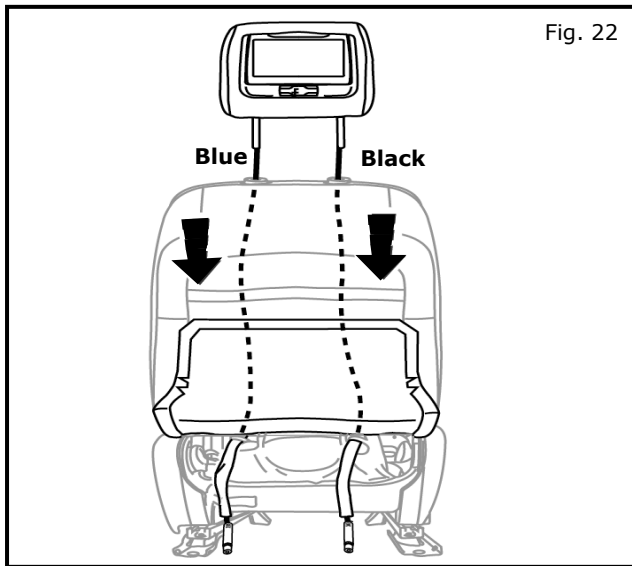


17.8) Remove and dispose of Passenger headrest by pressing release button on seat post guide, and pulling up on headrest. Figure 21



17.11) Disconnect two j-clamps holding seat back apron to underside of **Passenger** seat. Figure 21

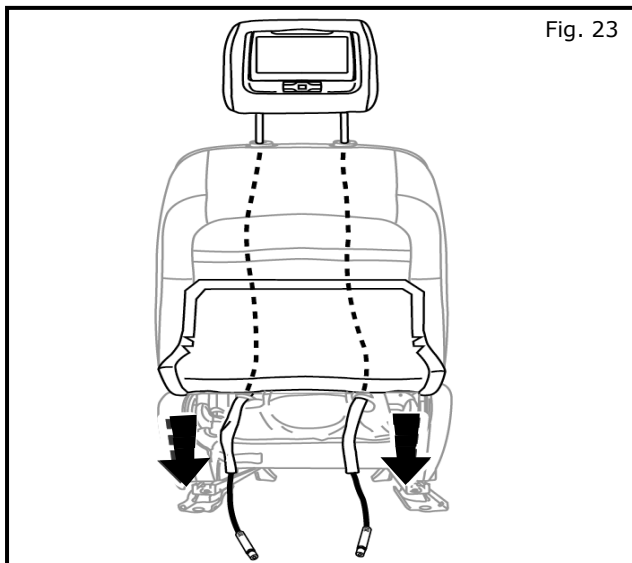
INSTALLATION PROCEDURE:PART II - Dual DVD Headstrait Monitor - PASSENGER SIDE SEAT (continued)



NOTE: Use caution when inserting the DVD headrest posts to prevent damage/scratching of seat post guides and seating surface.

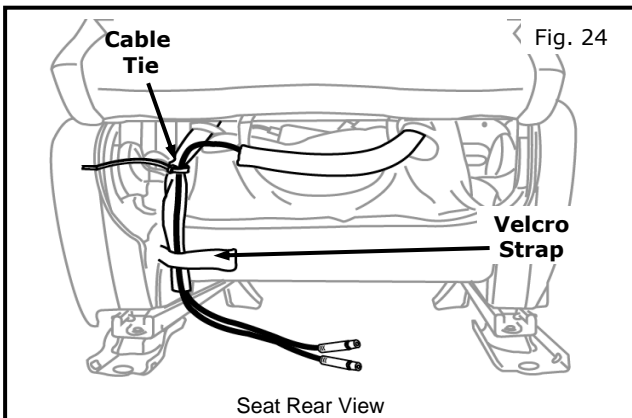
- 17.12) Insert **Passenger** DVD headrest cables (blue / black) into seat post guide holes of passenger seat as shown. Continue routing cable down through seat back and out through bottom of seat. Figure 22

NOTE: When installing passenger DVD headrest cables, it is important that DVD screen is positioned correctly. DVD screen must face rearward.



- 17.13) Insert **Passenger** DVD headrest posts into seat post guides. Lock DVD headrest into its highest position (Bottom-Most Notch). Figure 23

- 17.14) Pull on two headrest cables from seat bottom to remove all slack. Figure 23

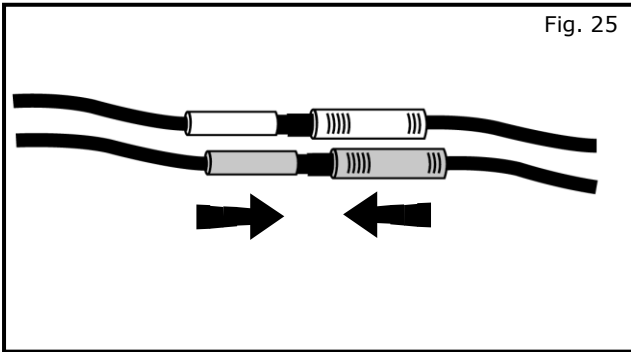


- 17.15) Group two headrest cables to inboard side of vehicle by routing cable with black barrel connector toward cable with blue barrel connector. Secure cables to seat harness using one cable tie as shown. Figure 24

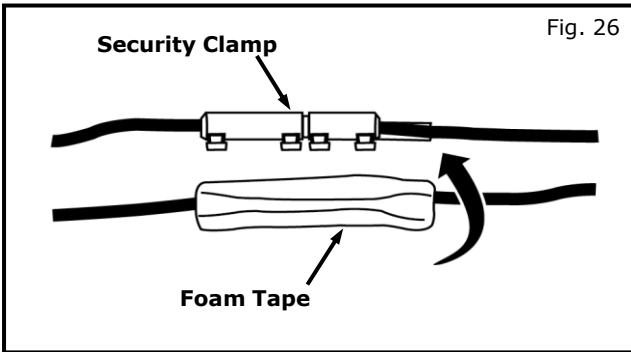
- 17.16) Continue routing two headrest cables down and under seat. Secure cables using existing seat bottom Velcro strap. Figure 24

NOTE: Perform cable connection steps, 17.17 through 17.20, as noted to install DVD Headrestraint correctly for proper operation.

INSTALLATION PROCEDURE:PART II - Dual DVD Headstrait Monitor - PASSENGER SIDE SEAT (continued)

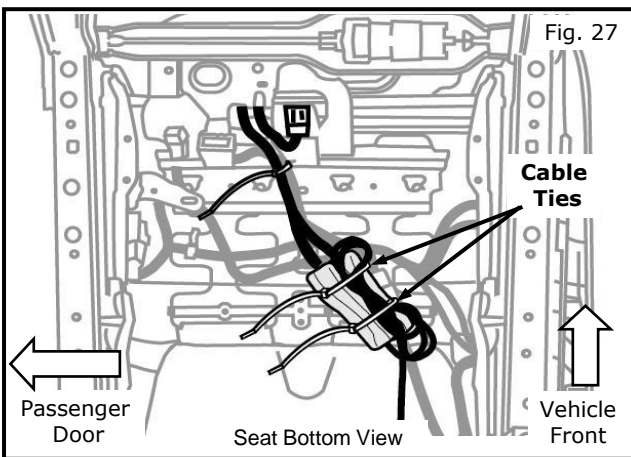


17.17) Continue routing two headrest cables toward front of vehicle. Connect black and blue barrel connectors to matching black and blue barrel connectors of DVD harness. Figure 25



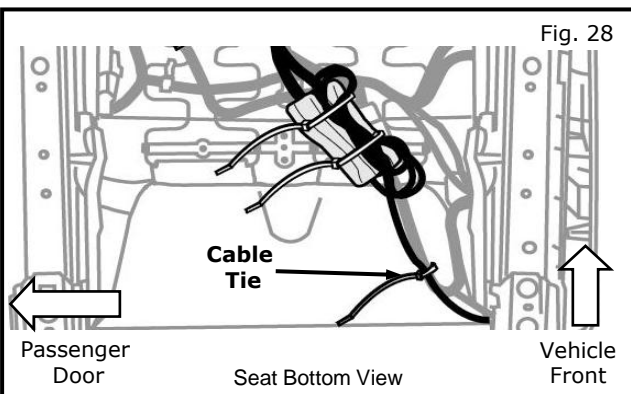
17.18) Secure barrel connectors using two security clamps. Place black barrel connectors into one security clamp and lock closed. Place blue barrel connectors into second security clamp and lock closed. Figure 26

17.19) Apply one piece of foam tape over each security clamp. Figure 26



17.20) Use two cable ties to secure cable security clamps, cables and cable slack to factory harness. Figure 27

- a) Group two security clamps and cable slack together with factory harness.
- b) Use one cable tie on each side of security clamps (about 1/2" from foam tape ends) to secure.



17.21) Use one cable tie to secure cables to factory harness. Figure 28

17.22) Using diagonal cutters, cut all excess wire ties.

17.23) Reattach seat apron j-clamps.

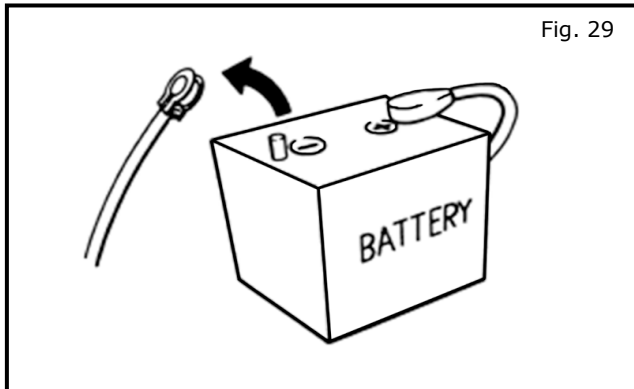
NOTE: Do not connect vehicle prewire harness to 24-pin jumper harness until step 18.3

17.24) Set **Driver** and **Passenger** seats to Full Up and Rearward position.

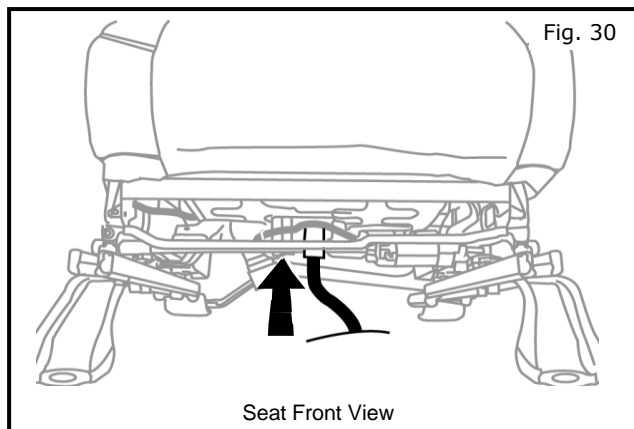
17.25) Proceed to Restore Factory Prewire Harness Connections Step 18.

INSTALLATION PROCEDURE: RESTORE FACTORY PREWIRE HARNESS CONNECTIONS

18) Restore Factory Prewire Harness Connections



- 18.1) Disconnect negative battery terminal to prevent short circuits during installation procedure. Figure 29



- 18.2) Connect factory prewire harness to 16-pin jumper harness under **Driver** seat. Figure 30
- 18.3) Connect factory prewire harness to 24-pin jumper harness under **Passenger** seat. Figure 30

ACCESSORY CHECK:

- Connect the battery negative terminal and tighten the nut to 5.4 N-m (47.8 lb-in).
 - Check all **Critical Installation Steps**.
 - Check all **torque** values.
 - 17.5) Using a ratchet, tighten flange nut and flange bolt.
 - a) 8mm socket for flange nut (2.5N-m = 22 in-lbs). Figure 18
 - b) 10mm socket for flange bolt (4.5N-m = 40 in-lbs). Figure 19
 - Verify all wiring is secure and not exposed.
 - Trim all excess cable ties flush.
 - Turn ignition switch to "**ACC**" position.
 - Confirm accessory main features and functions. Diagnostic flow chart is available on page 22 for troubleshooting.
 - Press power button on each DVD Headrest Monitor to verify backlighting illuminates and displays INFINITI Logo.
 - Insert a DVD into each DVD Headrest Monitor to verify DVD players accept discs.
- NOTE: Supplied is a dual function Remote Control used to control each DVD Headrest Monitor independently. Press "DVD-A" button to use remote control to operate Driver Side Headrest Monitor. Press "DVD-B" button to use remote control to operate Passenger Side Headrest Monitor.**
- Press Play button on remote control to verify DVD video is displayed on LCD monitors.
 - Press Power button and AUX button on radio to verify audio from **Driver** Side DVD Monitor can be heard through vehicle speakers.
- NOTE: Supplied Wireless Headphones are equipped with a A-B switch to select audio from either Driver Side DVD Headrest Monitor (CH A) or Passenger Side DVD Headrest Monitor (CH B). When sitting in-front of Driver Side DVD Headrest Monitor, use CH A switch setting. When sitting in front of Passenger Side DVD Headrest Monitor, use CH B switch setting.**
- Press and release Power button on wireless headphones to verify audio from DVD can be heard through headphones.
 - Press STOP button on remote control to verify DVD disc stops playing.
 - Press Eject button on each DVD player to verify DVD Headrest monitors eject disc properly.

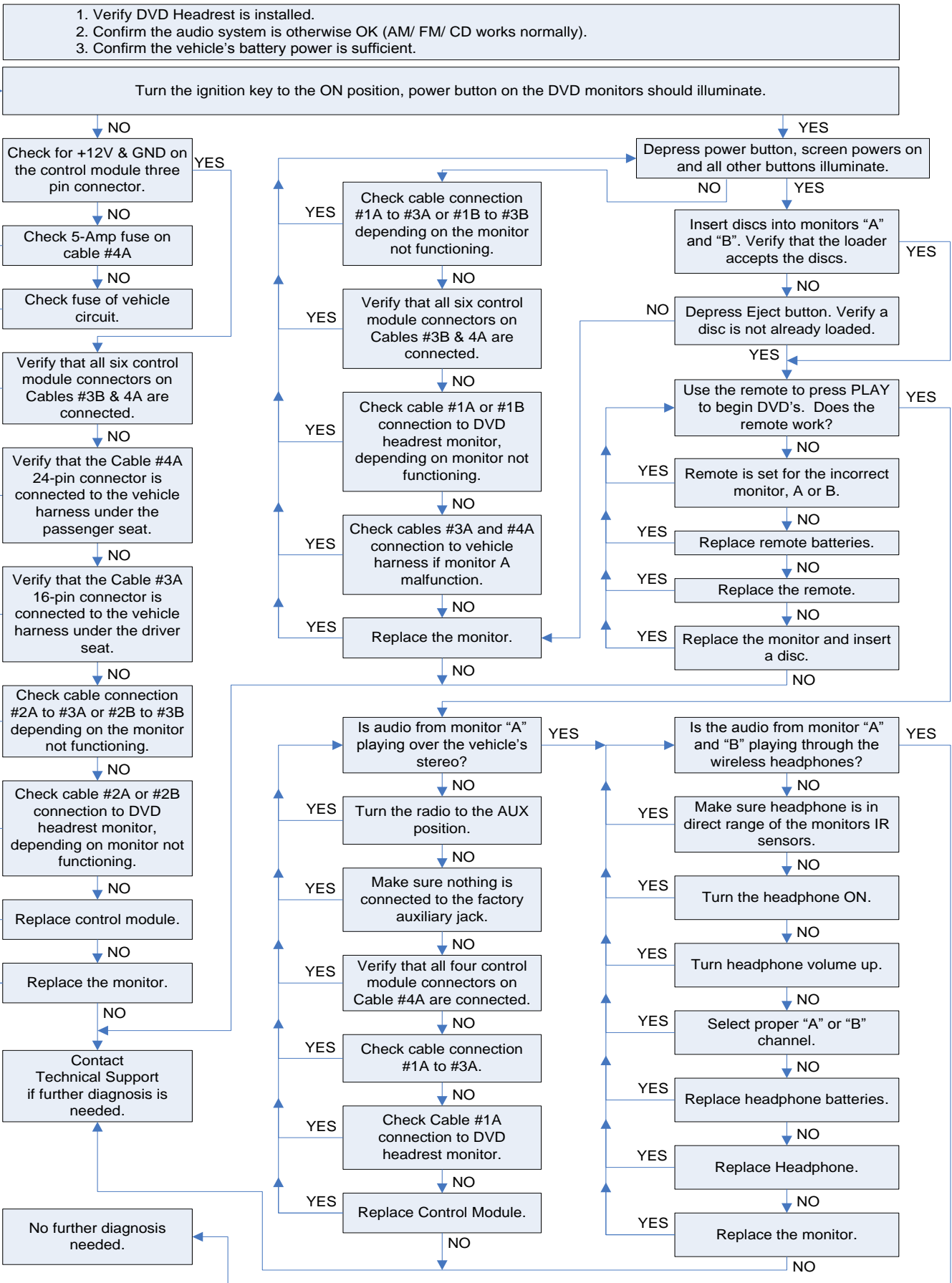
ACCESSORY CHECK: (continued)

- Verify that radio is still powered ON and in AUX mode.
- Turn ignition switch to "OFF" position while watching LCD monitors. The LCD monitors should not go dark until approximately 1 second after ignition switch is placed in "OFF" position. Also, there should be no audible pop noise heard through the vehicle speakers during the power down event.

FINAL INSPECTION:

- Verify vehicle headliner, seat, steering wheel, center console, floor carpets, etc. are not soiled.
- Verify interior and exterior is not damaged.
- Turn ignition switch to "ON" and confirm proper operation of Vehicle Systems
 - If equipped, verify all window and sunroof one touch operation and perform the reset procedure if necessary. Refer to vehicle service manual for more details.
 - Confirm proper audio function (AM, FM, SAT, CD and AUX).
- Re-program radio presets and other vehicle settings to the recorded settings.
- Start engine and verify that there are no new Diagnostic Trouble Codes. Turn ignition switch to "OFF".
- Place Owner's Manual and Quick Reference Guide in glove box.
- Place Wireless Headphones and Remote Control in vehicle.
- Return vehicle to shipping state.
- If this vehicle will be returned to a dealer lot or showroom for an extended period of time, be sure extended storage switch is placed in the "inventory" position.
- Perform ODS Zero Reset procedure using Consult 3+.

DIAGNOSTIC FLOW CHART:





GENUINE PARTS SERVICE PARTS LIST

APPLICATION: QX60

PART NUMBER(S): Dual DVD Headrest Monitor Leather, (G;1) Graphite - 999U8 RZ000
 Dual DVD Headrest Monitor Leather, (C;1) Wheat - 999U8 RZ001
 Dual DVD Headrest Monitor Leather, (P;1) Java - 999U8 RZ002

No.	Part Name	Description	Service Part Number
1	DVD HDRST MNTR DR	DVD Headrest Assembly, Leather (G;1) Graphite	999U8 RZ010-01
		DVD Headrest Assembly, Leather (C;1) Wheat	999U8 RZ011-01
		DVD Headrest Assembly, Leather (P;1) Java	999U8 RZ012-01
2	DVD HDRST MNTR AS	DVD Headrest Assembly, Leather (G;1) Graphite	999U8 RZ010-02
		DVD Headrest Assembly, Leather (C;1) Wheat	999U8 RZ011-02
		DVD Headrest Assembly, Leather (P;1) Java	999U8 RZ012-02
3	DVD HDRST DR	Headrest, Leather (G) Graphite	999U8 RZ020-01
		Headrest, Leather (C) Wheat	999U8 RZ021-01
		Headrest, Leather (P) Java	999U8 RZ022-01
4	DVD HDRST AS	Headrest, Leather (G) Graphite	999U8 RZ020-02
		Headrest, Leather (C) Wheat	999U8 RZ021-02
		Headrest, Leather (P) Java	999U8 RZ022-02
5	DVD MNTR DR INFINITI (1)	DVD Monitor, DR, INFINITI (1)	999U8 RZ030
6	DVD MNTR AS INFINITI (1)	DVD Monitor, AS, INFINITI (1)	999U8 RZ031
7	CTL ASSY PREPACK	Controller Assembly and Hardware	999U8 RZ040
8	DVD CTRL & BRK ASSY	Control Module, Bracket and Harness	999U8 RZ043
9	CUSTOMER PREPACK	Wireless Headphones (2), Remote Control, Owner's Manual and Quick Reference Guide	999U8 RZ075
10	WIRELESS HEADPHONE IR	Wireless Headphone, Infrared (universal)	999U8 VZ042
11	REMOTE CONTROL	Remote Control, Infrared (universal)	999U8 VZ044
12	OWNER MANUAL INFINITI (1&2)	INFINITI Owner's Manual (English/French/Arabic)	999U8 RZ080
13	QUICK REFERENCE GUIDE INFINITI (1&2)	INFINITI Quick Reference Guide (English/French/Arabic)	999U8 RZ081
14	INSTALL PREPACK	Cable Ties, Security Clamps, Foam Tape Strips and 16-Pin Jumper Harness, Driver	999U8 RZ070
15	HRN KIT	Harness Package, Complete System (DR-1; AS-2)	999U8 VZ060-SP

NOTE: The images below depict the appearance of the parts listed above and are not exact representations of each part.

