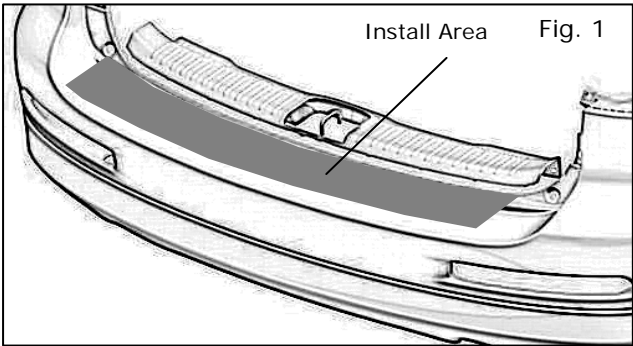
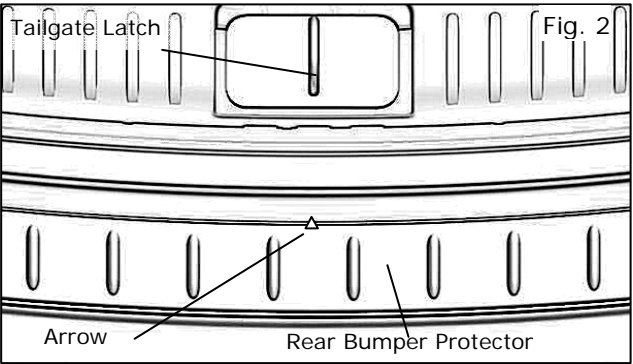
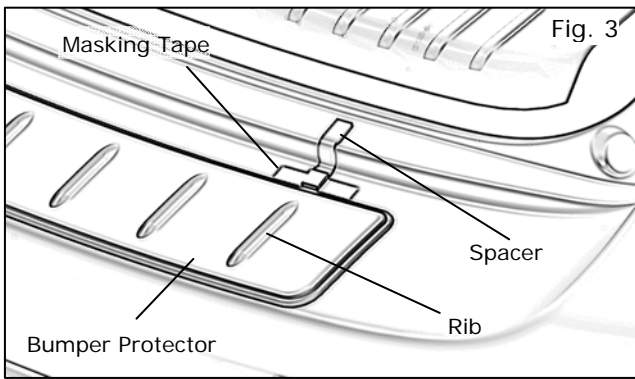




GENUINE PARTS

INSTALLATION INSTRUCTIONS

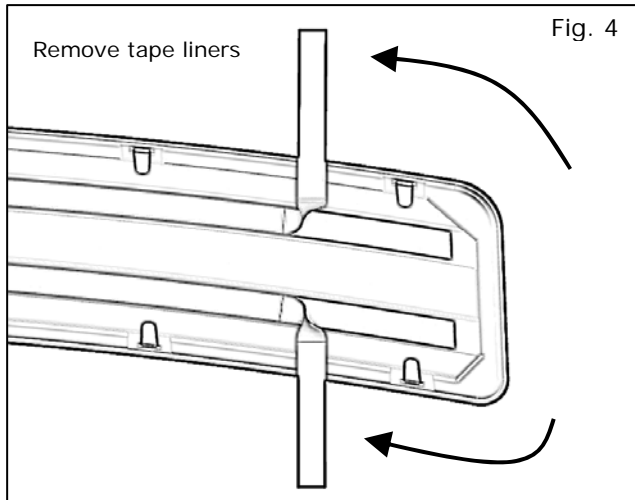
| 1. DESCRIPTION: Rear Bumper Protector Kit | | | |
|---|------|--|-------------|
| 2. APPLICATION: Infiniti QX50 | | | |
| 3. PART NUMBER: 999T6 5U000 | | | |
| 4. KIT CONTENTS: | | | |
| Item | Qty. | Description | Part Number |
| A | 1 | Rear Bumper Protector | --- |
| B | 2 | Alcohol Pads | --- |
| C | 2 | Spacers (If not included proceed to Page 3.) | --- |
| 5. TOOLS REQUIRED: | | | |
| <ul style="list-style-type: none"> • Clean, Lint-Free Wiping Cloth • Masking Tape | | | |
| 6. PRE-INSTALLATION CAUTIONS/NOTES: | | | |
| ⚠ CAUTION | | | |
| <ul style="list-style-type: none"> • Install the rear bumper protector when the ambient temperature is above 60°F (15°C). • Do not wash or expose the vehicle to a wet environment for 24 hours after installing the rear bumper protector. | | | |
| 7. INSTALLATION PROCEDURE: | | | |
|  | | <ol style="list-style-type: none"> 1) Rear bumper protector installation <ol style="list-style-type: none"> a) Open rear hatch. b) Clean each vehicle Rear Bumper thoroughly with soap and water to remove any dirt or debris and allow to dry. See Fig. 1. c) Use one Alcohol prep pad OR 99% Isopropyl Alcohol with lint free cloth to clean the mounting surface of the Rear Bumper. Let dry thoroughly. | |
|  | | <div style="text-align: center;">⚠ CAUTION</div> <ul style="list-style-type: none"> • Failure to clean the mounting surface properly may cause the adhesive tape to have poor adhesion to the vehicle. <ol style="list-style-type: none"> 2) Dry fit the bumper protector on the vehicle. <ol style="list-style-type: none"> a) Place the rear bumper protector on the rear bumper while aligning center arrow with tailgate latch. See Fig. 2. | |



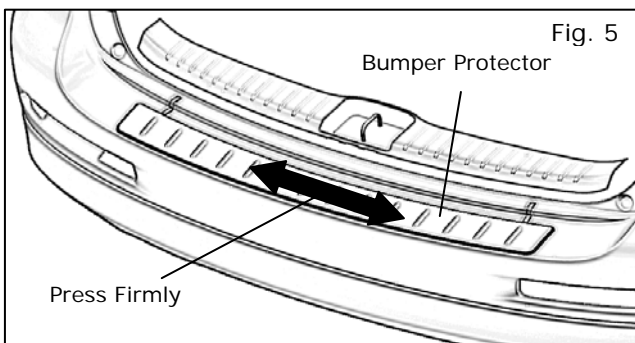
NOTE:

If kit does not include spacers, proceed to Installation Procedure beginning on page 3.

- 3) Position spacer block at the first rib on both ends of the bumper protector. See Fig. 3.
 - a) Spacer should fit tight to the contour of the bumper and the edge of the part.
 - b) Use masking tape to hold the spacer blocks in position.



- 4) Remove tape liners from the rear bumper protector by using the tape liner pull tabs. See Fig. 4.



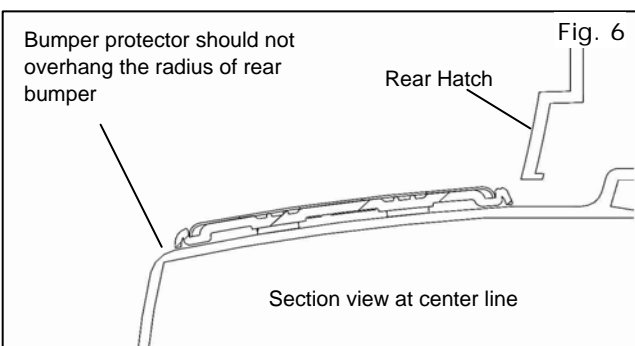
- 5) Allowing only the front of the rear bumper protector to touch the rear bumper, align the rear bumper protector center arrow with the rear hatch latch and the front edge with the spacers.

- 6) Using a clean lint-free cloth, press the rear bumper protector to the rear bumper by applying 15 lb of pressure along the length of the tape to attach the rear bumper protector. See Fig. 5.

- a) Bumper protector should not overhang the radius of rear bumper.

- 7) Remove masking tape and spacers.

- 8) Remove protective film from the top surface of the bumper protector.



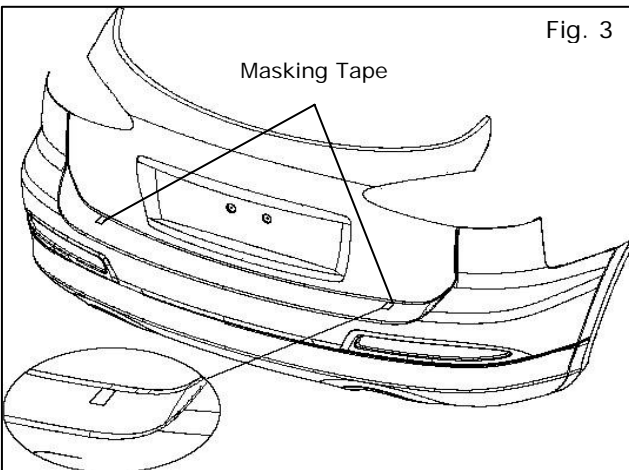
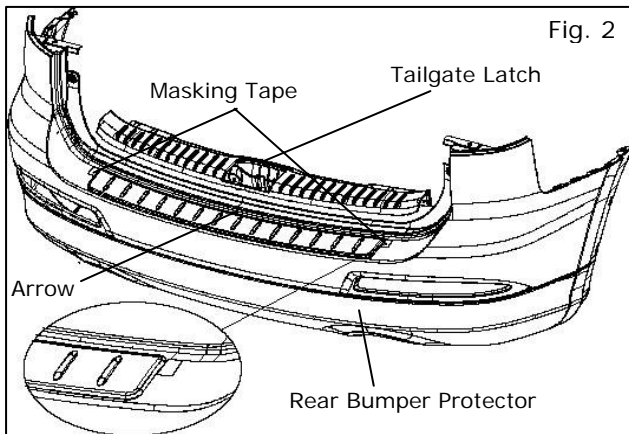
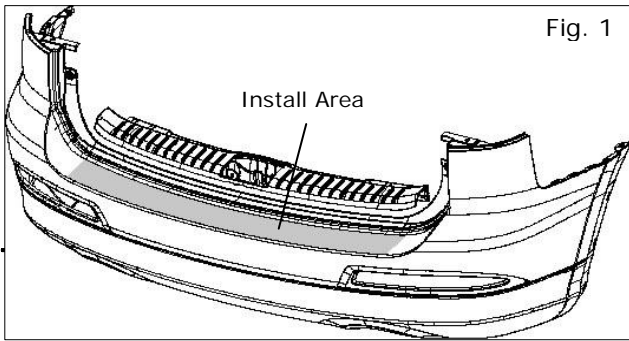
NOTE:

Follow the Installation Procedure below for Rear Bumper Protector Kits that do not contain Spacers.

⚠ CAUTION

- Install the rear bumper protector when the ambient temperature is above 60°F (15°C).
- Do not wash or expose the vehicle to a wet environment for 24 hours after installing the rear bumper protector.

7. INSTALLATION PROCEDURE:

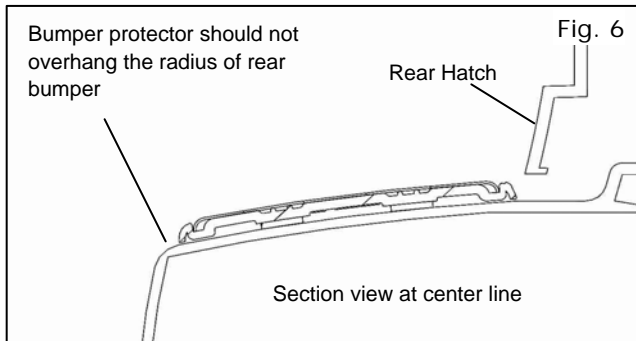
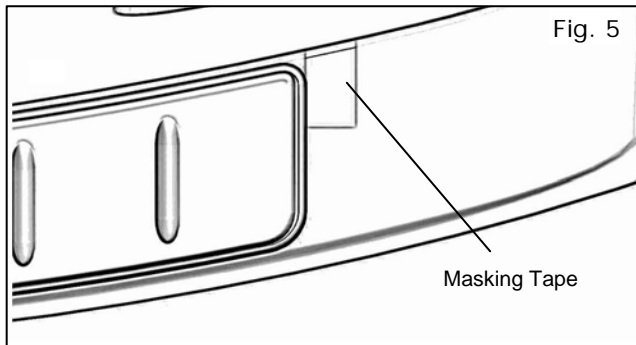
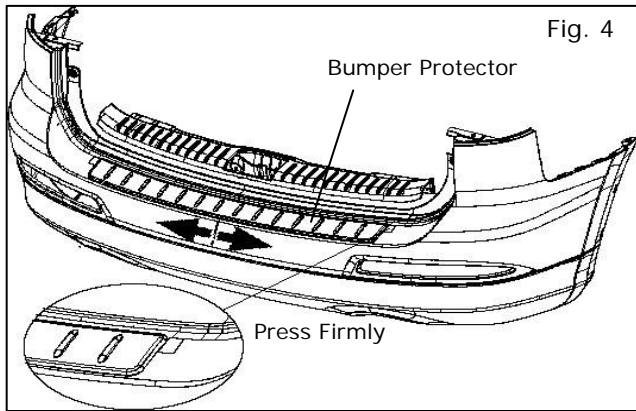


- 1) Rear bumper protector installation
 - a) Open rear hatch.
 - b) Clean each vehicle Rear Bumper thoroughly with soap and water to remove any dirt or debris and allow to dry. See Fig. 1.
 - c) Use one Alcohol prep pad OR 99% Isopropyl Alcohol with lint free cloth to clean the mounting surface of the Rear Bumper. Let dry thoroughly.

⚠ CAUTION

- Failure to clean the mounting surface properly may cause the adhesive tape to have poor adhesion to the vehicle.

- d) Place the rear bumper protector on the rear bumper while aligning center arrow with tailgate latch. See Fig. 2.
- e) Apply a piece of masking tape on the rear bumper at each end of the rear bumper protector. See Fig. 2.
- f) Remove the rear bumper protector.
- g) Close rear hatch.
- h) Use a pen or pencil to trace the rear edge of the rear hatch on the pieces of masking tape. See Fig. 3.



- 2) Rear bumper protector installation
 - a) Remove tape liners from the rear bumper protector by using the tape liner pull tabs.
 - b) Allowing only the front of the rear bumper protector to touch the rear bumper, align the rear bumper protector center arrow with the rear hatch latch and the front edge (corners) with the tape markings.
 - c) Bumper protector should not overhang the radius of rear bumper.
 - d) Using a clean lint-free cloth, press the rear bumper protector to the bumper by applying 15 lb of pressure along the length of the tape to attach the rear bumper protector. See Fig. 4.
 - e) Remove masking tape. See Fig. 5.

- 3) Remove protective film from the top surface of the bumper protector.