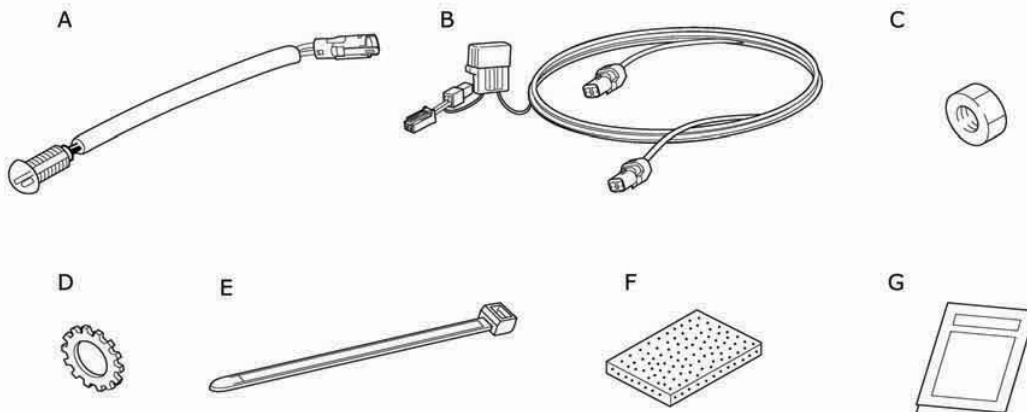


INSTALLATION INSTRUCTIONS

1. **DESCRIPTION:** Ambient Light
2. **APPLICATION:** Q60
3. **PART NUMBER:** B64D0 JL100
4. **KIT CONTENTS:**

| Item | QTY | Description |
|------|-----|---------------------------|
| A | 2 | Lamp unit |
| B | 1 | T-Harness |
| C | 2 | Nut (M10) |
| D | 2 | Washer (M10) |
| E | 8 | Tie wrap |
| F | 4 | Urethane form |
| G | 1 | Installation Instructions |



5. TOOLS REQUIRED:

- #2 Phillips screwdriver
- Drill
- Steel ruler
- 50/50 water alcohol solution
- 8mm & 14mm Spanner
- 3mm & 10.5mm drill bits
- Fish tape
- Wire cutter
- Prastic prybar
- Clean towel

INSTALLATION INSTRUCTIONS - AMBIENT LIGHT

6. PRE-INSTALLATION CAUTIONS/NOTES

▲ CAUTION

- Dealer Installation Recommended.
- Please read this instruction carefully before installing this product for correct installation.
- Please DO NOT use or install the part in ways other than what is described in this instruction manual.
- If problem occurs during installation, please contact Nissan dealer where you purchased the product.

- 1) Apply Parking Brake.
- 2) Make sure the shift lever is engaged in the "P" or "N" position.
- 3) Record customer Radio Presets.

| Preset | 1 | 2 | 3 | 4 | 5 | 6 |
|--------|---|---|---|---|---|---|
| A | | | | | | |
| B | | | | | | |
| C | | | | | | |

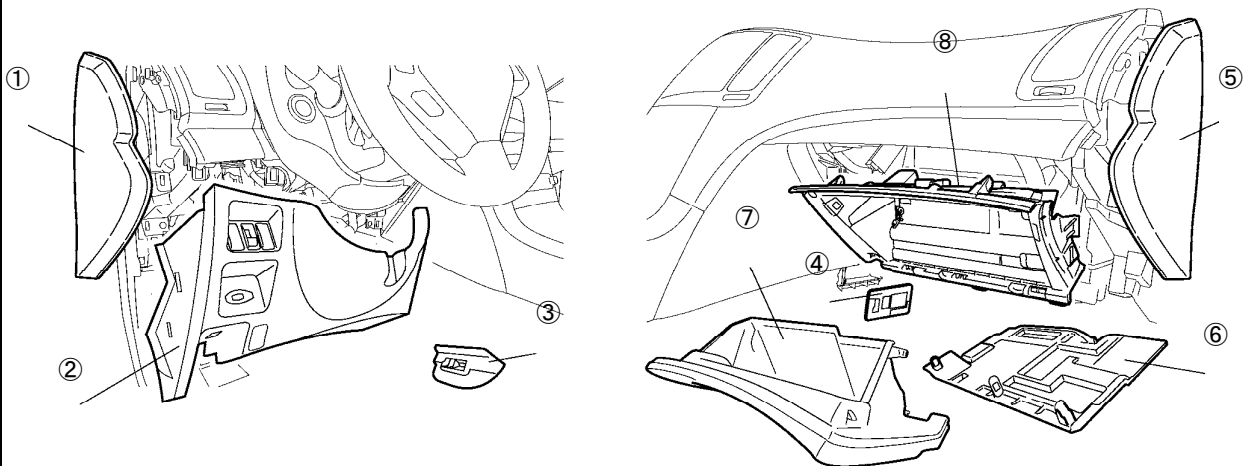
- 4) Use seat and floor protection.
- 5) Open the hood of the vehicle.
- 6) Disconnect the negative battery terminal to prevent short circuits during installation.

▲ CAUTION

- Care must be taken not to scratch or damage any components during the removal or replacement process.

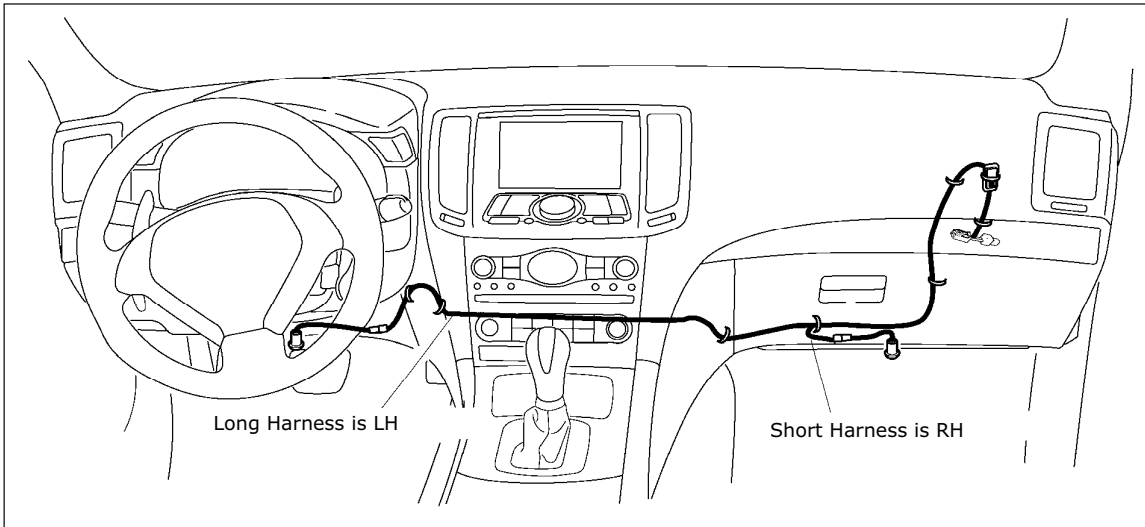
7) Remove the following interior trim parts in the sequence shown below.

- | | |
|---|---|
| <ul style="list-style-type: none"> ① Instrument Side Finisher (Left) ② Instrument Driver Lower Panel ③ Foot Grill (Left) ④ Foot Grill (Right) | <ul style="list-style-type: none"> ⑤ Instrument Side Finisher (Right) ⑥ Instrument Passenger Lower Cover ⑦ Glove Box Assembly ⑧ Instrument Lower Assist Panel |
|---|---|

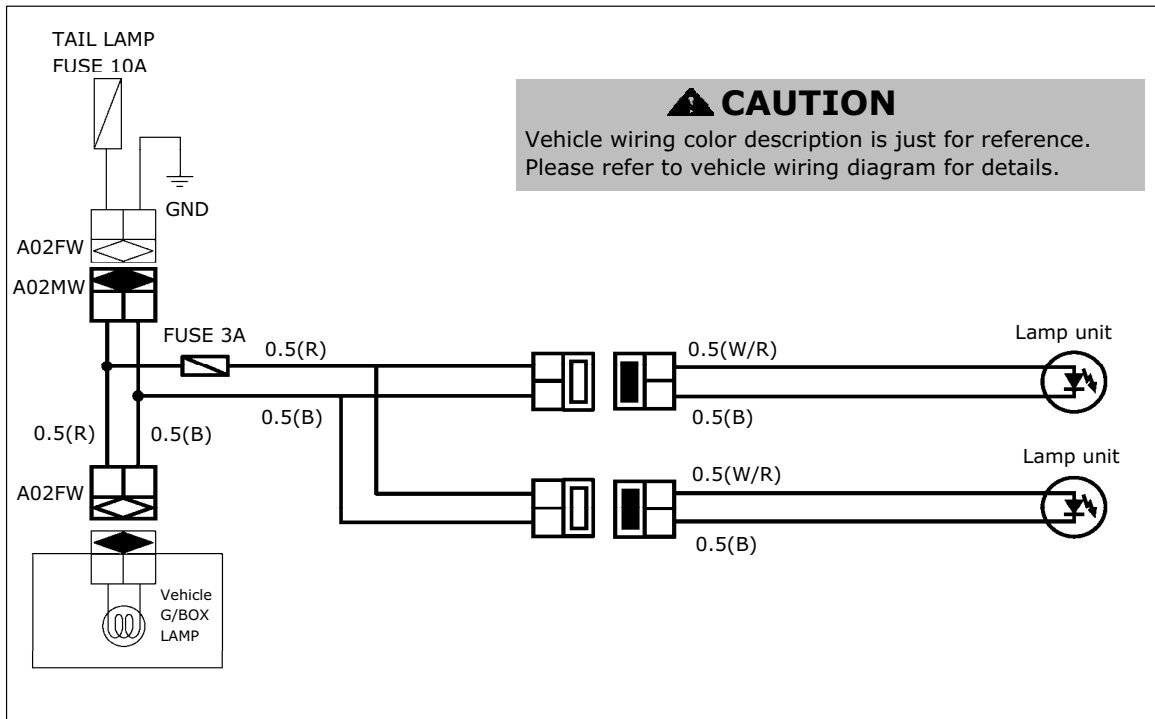


INSTALLATION INSTRUCTIONS - AMBIENT LIGHT

7. INSTALLATION OUTLINE



8. STANDARD CONNECTION METHOD



INSTALLATION INSTRUCTIONS - AMBIENT LIGHT

9. TRIM REMOVAL

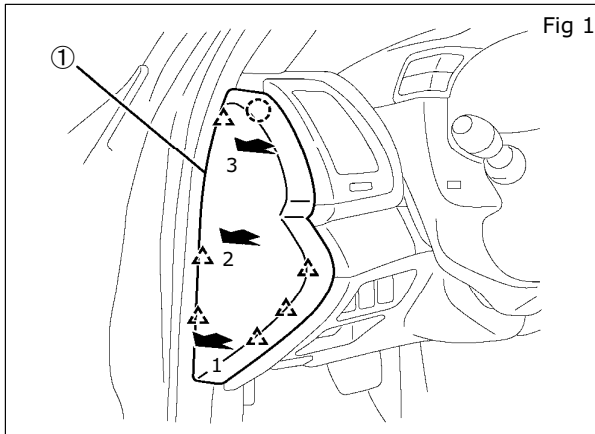


Fig 1

- 1) Remove instrument side finisher (Left) ①.
 - a) Insert a remover tool into lower space.
 - b) Pull the instrument side finisher (Left) ① crosswise.

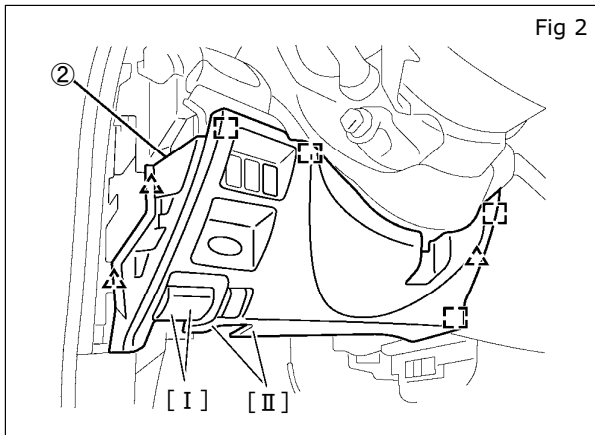


Fig 2

- 2) Remove instrument driver lower panel ②.
 - a) Remove hood opener mounting bolts [I].
 - b) Remove data link connector mounting screws [II].
 - c) Pull back instrument driver lower panel ②.
 - d) Disconnect harness connectors.

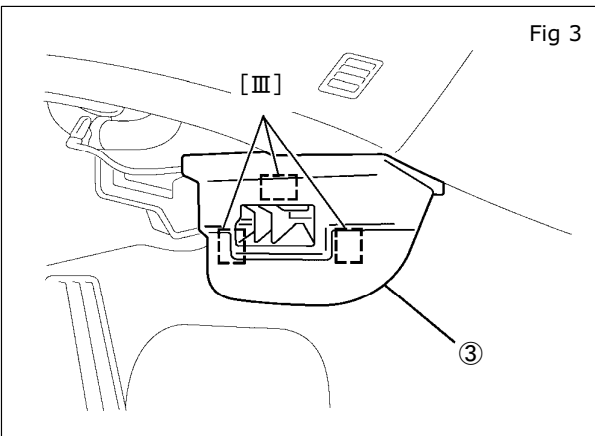
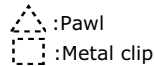
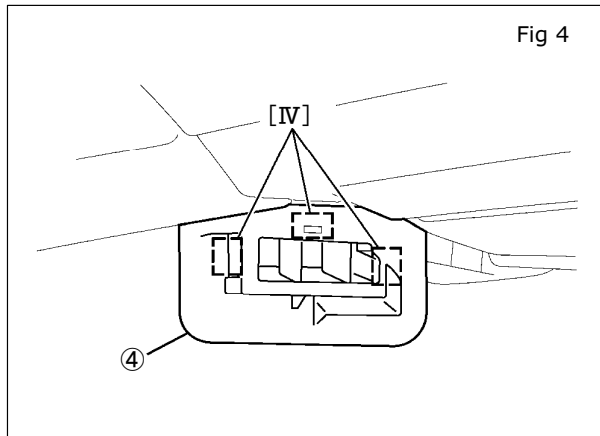


Fig 3

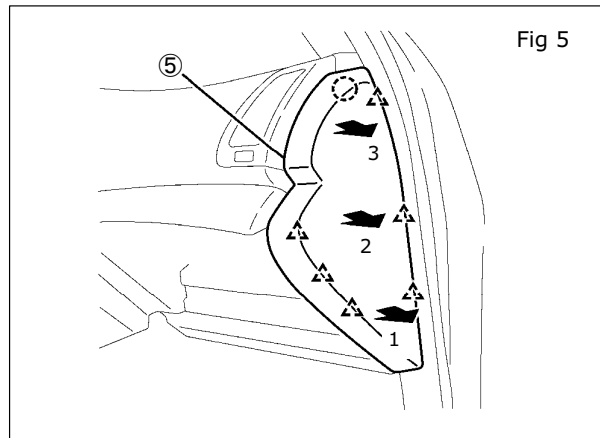
- 3) Remove mounting clips [III] , and then remove foot grille (Left) ③.

INSTALLATION INSTRUCTIONS - AMBIENT LIGHT

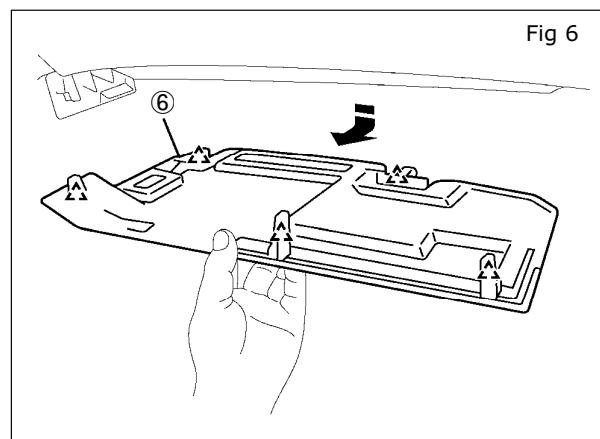
9. TRIM REMOVAL (CONT'D)



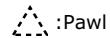
- 4) Remove mounting clips [IV] , and then remove foot grille (Right)④.



- 5) Remove instrument side finisher (Right)⑤.
a) Insert a remover tool into lower space.
b) Pull the instrument side finisher (Right)⑤ crosswise.

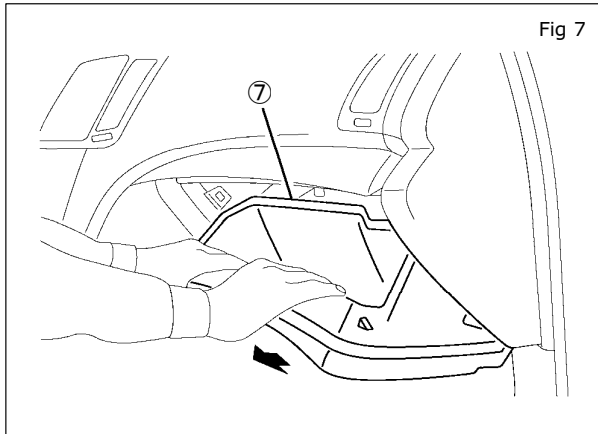


- 6) Remove instrument passenger lower cover⑥.
a) Pull downward, disengage pawls.
b) Pull back instrument passenger lower cover⑥.

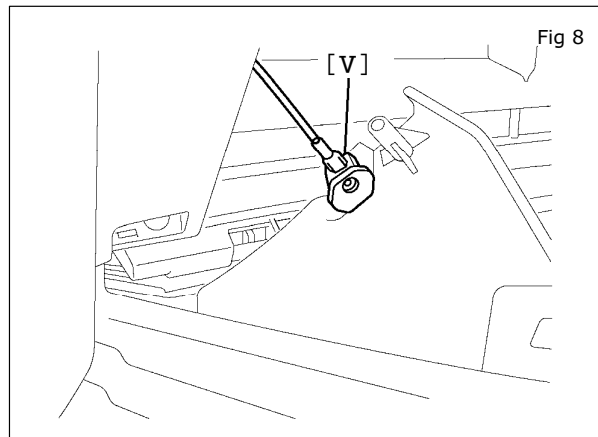


INSTALLATION INSTRUCTIONS - AMBIENT LIGHT

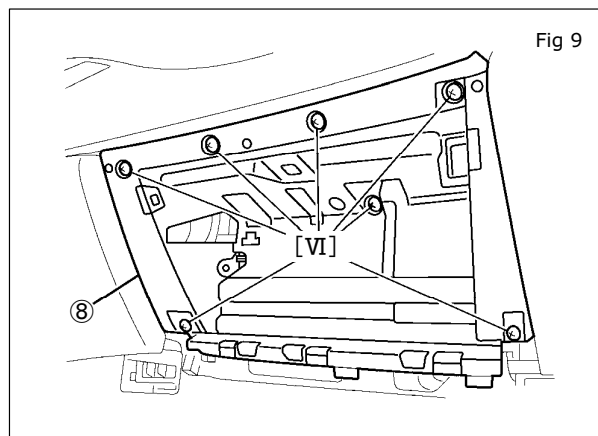
9. TRIM REMOVAL (CONT'D)



- 7) Remove glove box assembly ⑦.
 - a) Open the glove box.
 - b) Pull up glove box assembly ⑦.



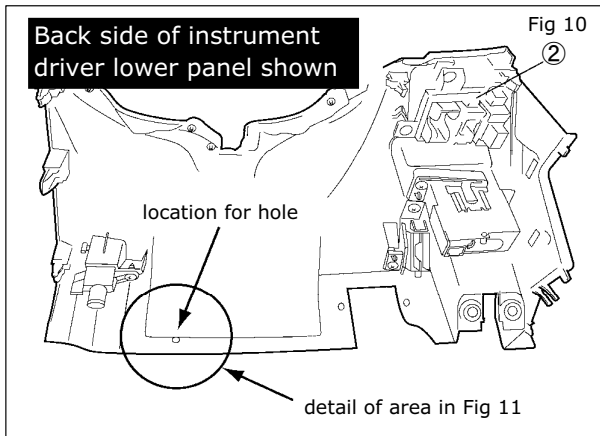
- c) Remove damper pin [V] of left side.



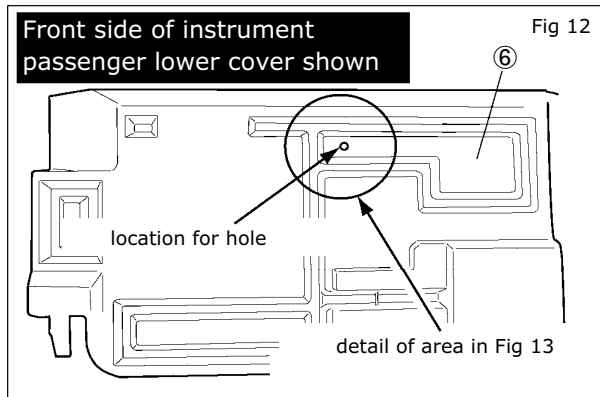
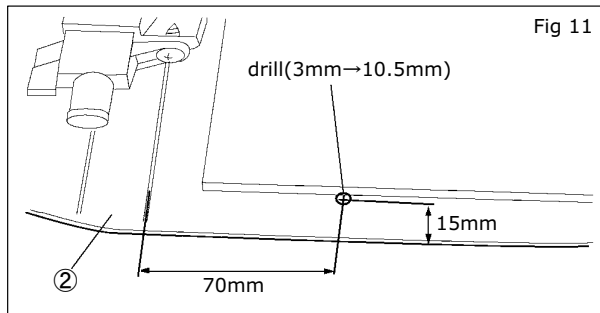
- 8) Remove instrument lower assist panel ⑧.
 - a) Remove instrument lower assist panel ⑧ mounting screw [VI] with power tool.
 - b) Pull back instrument lower assist panel ⑧.
 - c) Disconnect harness connector.

INSTALLATION INSTRUCTIONS - AMBIENT LIGHT

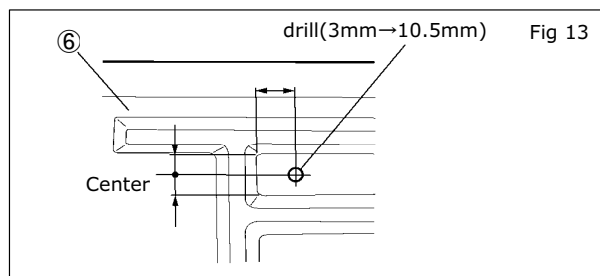
10. INSTALLATION of Lamp Unit A



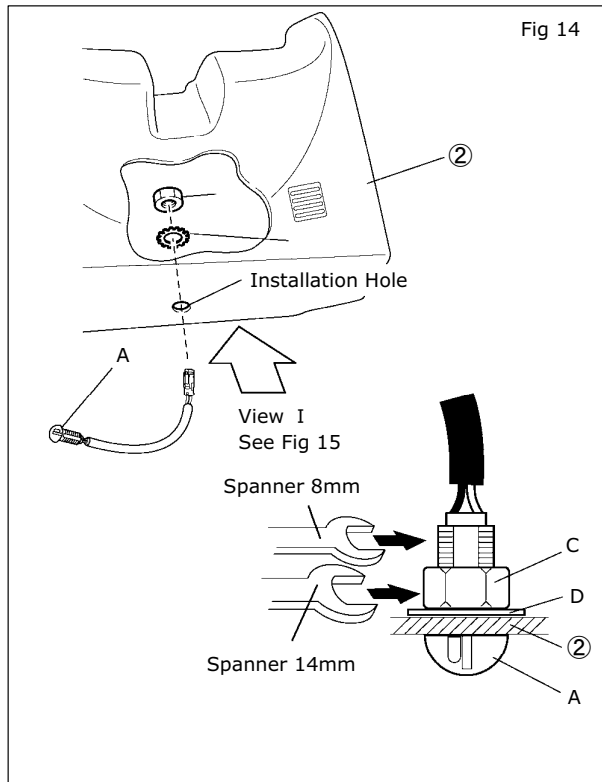
- 1) Drill a 3mm pilot hole 70mm from the hole edge and 15mm from the side towards the instrument driver lower panel ②. Open up the hole to 10.5mm.



- 2) Drill a 3mm pilot hole 10mm from the edge and center from the both edge towards the instrument passenger lower cover ⑥. Open up the hole to 10.5mm.



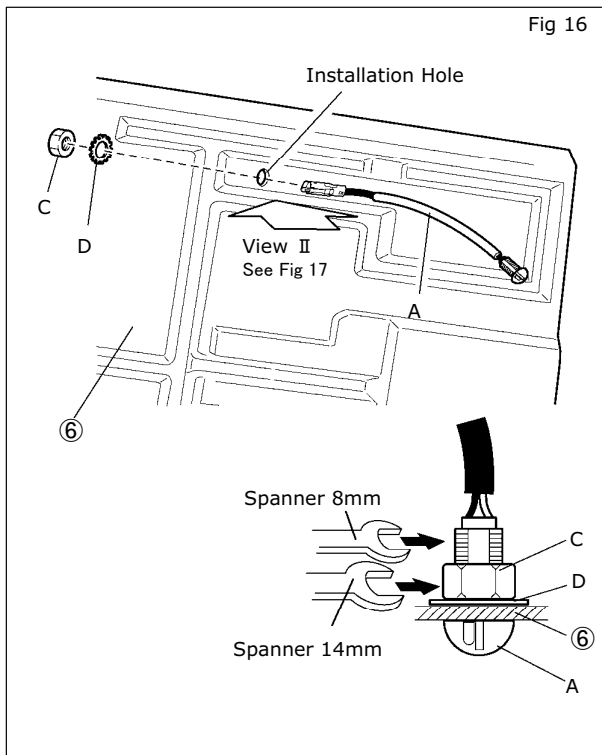
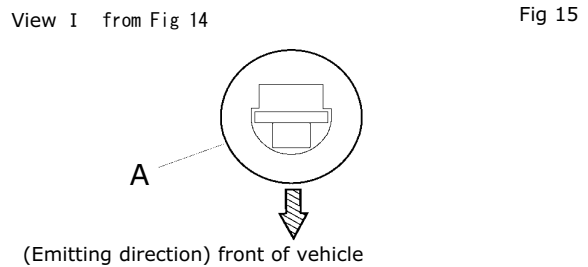
INSTALLATION INSTRUCTIONS - AMBIENT LIGHT



- 3) Route the lamp unit harness A through front side of instrument driver lower panel ②.
- 4) Fix washer D and nut C at back side. Hold the lamp with 8mm spanner. Screw the nut with 14mm spanner. Set lamp unit LED emitting direction towards front of vehicle. [Fig 15]
Apply torque 1.5Nm.

⚠ CAUTION

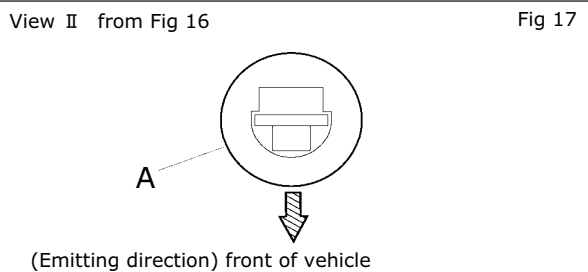
Do not over torque, otherwise the lamp unit A will be damaged.
Apply Torque : 1.5Nm



- 5) Route the lamp unit harness A through front side of instrument passenger lower cover ⑥.
- 6) Fix washer D and nut C at back side. Hold the lamp with 8mm spanner. Screw the nut with 14mm spanner. Set lamp unit LED emitting direction towards front of vehicle. [Fig 17]
Apply torque 1.5Nm.

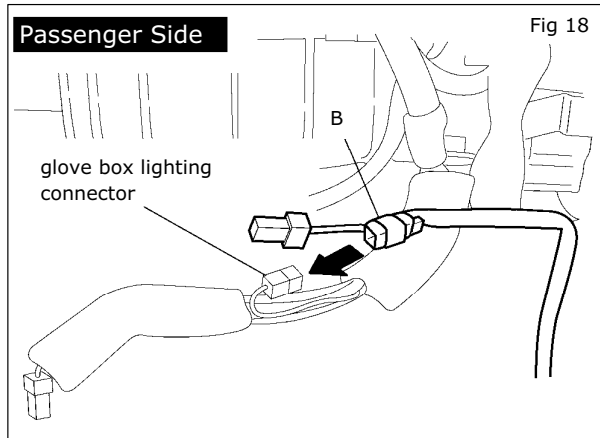
⚠ CAUTION

Do not over torque, otherwise the lamp unit A will be damaged.
Apply Torque : 1.5Nm

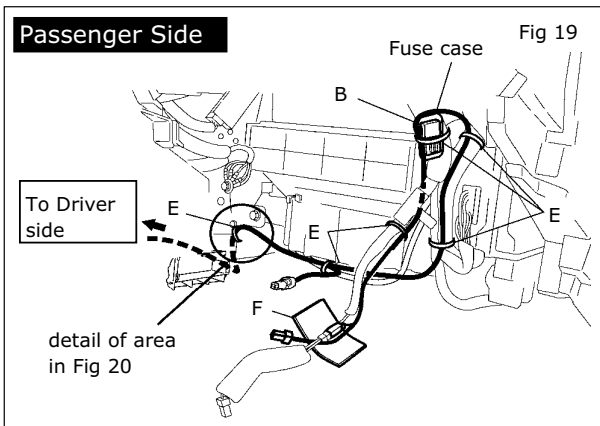


INSTALLATION INSTRUCTIONS - AMBIENT LIGHT

11. INSTALLATION of Wiring Harness B



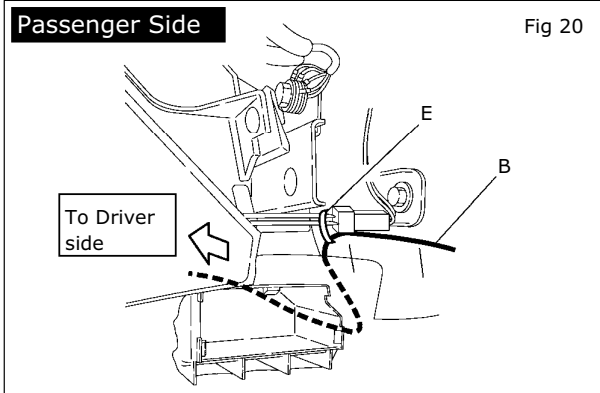
- 1) Connect T-harness connector B (A02MW) to glove box lighting connector (A02FW).



- 2) Wrap up urethane form F around connector (A02MW & A02FW).
- 3) Secure T-harness B to vehicle harness by Tie wrap E as figured left. (6 pieces)

CAUTION

Do not attach the harness to sharp metal edge.

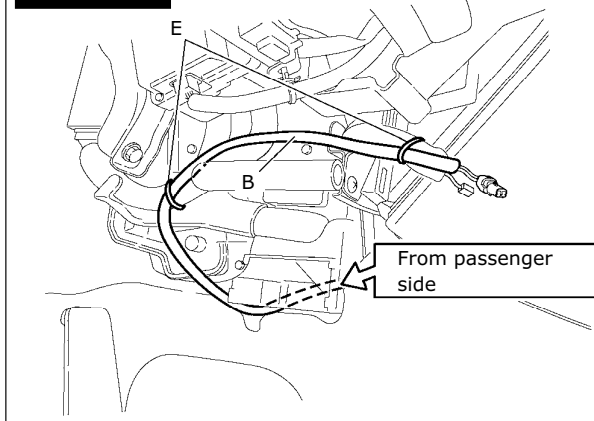


- 4) Use fish tape to route harness behind console from passenger side to driver side.

INSTALLATION INSTRUCTIONS - AMBIENT LIGHT

Driver side

Fig 21

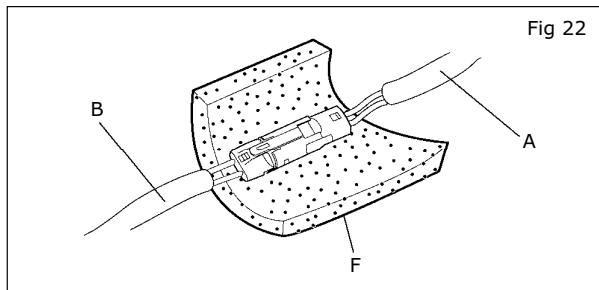


- 5) Secure T-harness B to vehicle harness by Tie wrap E as figured left. (2 pieces)

⚠ CAUTION

Do not attach the harness to sharp metal edge.

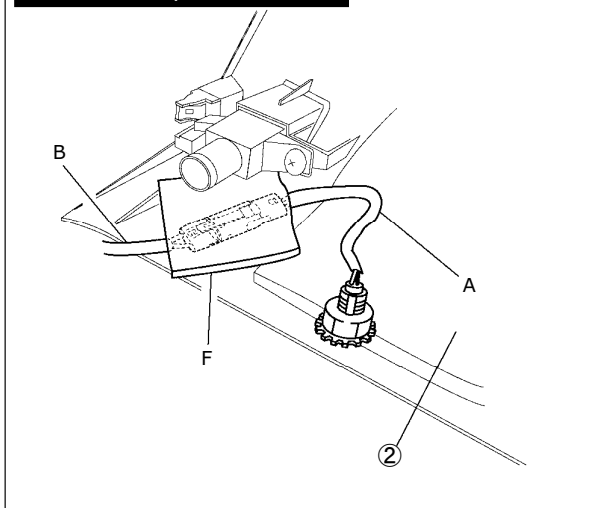
Fig 22



- 6) Connect lamp unit connector A and T-harness connector B.
- 7) Wrap up urethane form F around connector.

Back side of instrument driver lower panel shown

Fig 23



- 8) Restore instrument driver lower panel ②. Reconnect the vehicle connector, if equipped.
- VDC OFF switch
 - AFS ON OFF switch
 - Trunk open switch
 - Data link connector
 - Interigent key unit connector
 - Temp sensor connector
- 9) Use 50/50 water alcohol solution to clean the area for urethane form F. Secure lamp unit harness A and T-harness connector B with urethane form F on back side of instrument driver lower panel ②.

INSTALLATION INSTRUCTIONS - AMBIENT LIGHT

Passenger Side

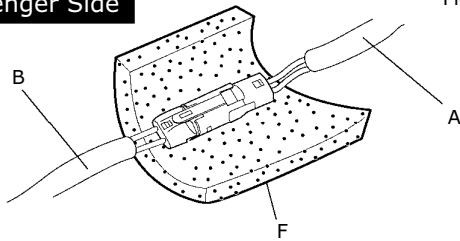


Fig 24

10) Connect lamp unit connector A and T-harness connector B.

11) Wrap up urethane form F around connector.

Passenger Side

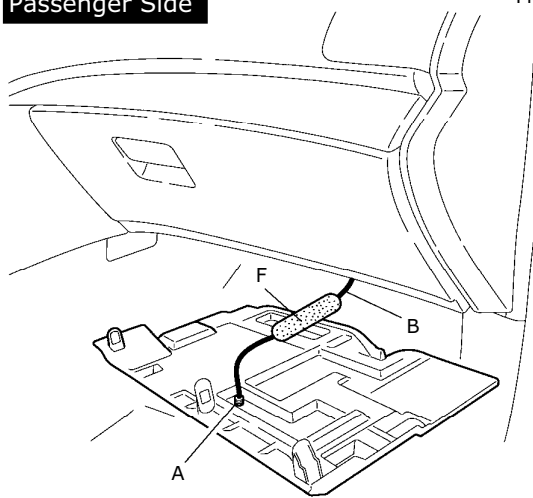


Fig 25

12) Restore instrument lower assist panel ⑧.
Reconnect the vehicle connector, if equipped.

- Glove box lamp connector
- Trunk open cancel switch

13) Restore glove box assembly ⑦.

Back side of instrument passenger lower cover shown

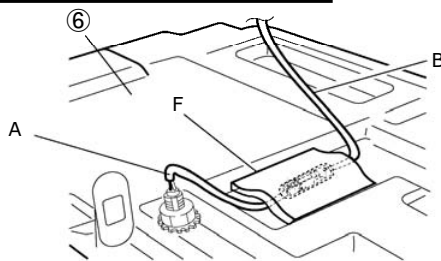


Fig 26

14) Use 50/50 water alcohol solution to clean the area for urethane form F.
Secure lamp unit harness A and T-harness connector B with urethane form F on back side of instrument passenger lower cover ⑥.

15) Restore instrument passenger lower cover ⑥.

16) Restore Instrument side finisher (Left ① & Right ⑤), and Foot grille (Left ③ & Right ④).

INSTALLATION INSTRUCTIONS - AMBIENT LIGHT

12. CHECK AFTER INSTALLATION

- 1) Please check that the installation has no problem.
 - a) confirm connection of each connector.
 - b) Confirm whether wire harness is fixed, No free hanging harness that may cause rattling noise.

13. FUNCTION CHECK

- 1) Connect the battery's negative terminal.
- 2) Confirm that ambient lights are turned on when vehicle head light switch is ON.
- 3) Confirm that ambient lights are emitting towards front of vehicle.

14. VEHICLE CHECK

- 1) Remove all tools from the vehicle.
- 2) Inspect all reinstalled interior trim parts for proper panel fit .
- 3) Turn ignition to the ON position.
- 4) Reset radio presets to the recorded setting.
- 5) Confirm proper radio operation.
- 6) Initialize sun roof, and power window operation.
- 7) Confirm proper operation of the rear window washer fluid.
- 8) Confirm vehicle switch functions.
- 9) Turn ignition to off position.

CAUTION

- During restoring, please use caution so as not to cause the stacking of the vehicle's harness, or damage any other parts.