



GENUINE PARTS

INSTALLATION INSTRUCTIONS

DESCRIPTION: REAR SPOILER KIT
APPLICATION: INFINITI Q50
PART NUMBER: 999J1 J3xxx (xxx designates color)

KIT CONTENTS:

Item	Qty.	Part Description	Service Part Number
A	1	Spoiler Assembly	999J1 J3xxx
B	4	M6 Nuts [w/blue loctite]	"NOT AVAILABLE"
C	1	Installation Instruction Replacement Template	999V2 AW000
D	1	Spoiler Drill Template	999J1 J2000 T

TOOLS REQUIRED:

- Clean shop rags
- Masking tape
- Drop cloth
- Vacuum
- Hammer
- Center punch
- Phillips screwdriver
- Tape measure
- Deburring tool
- Variable speed drill
- Drill bits: 1/8" or 3mm, 23/64" or 9mm, and 7/16" or 11mm
- Hole saw: 1 1/4" or 30mm
- Torque wrench
- Ratchet with extension
- 10mm deep socket
- Rust preventative (P/N 999MP-9G001P)
- Alcohol solution 90% or greater

PRE-INSTALLATION WARNINGS, CAUTIONS, CRITICAL STEPS, and NOTES:

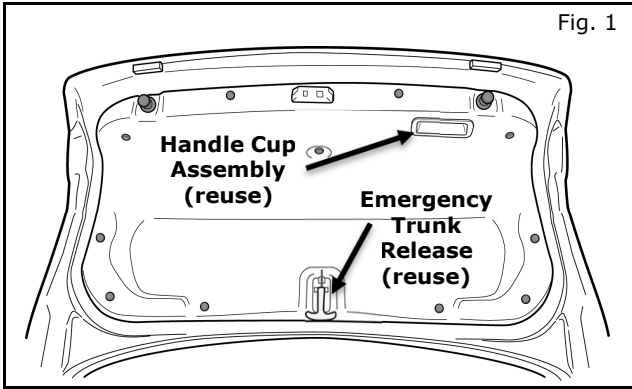
- Dealer Installation Recommended. Instructions may refer to Service Manual.

WARNING

- Some plastic surfaces may become damaged by alcohol solution. Cover and protect taillight lenses. If alcohol does come into contact with the lens, immediately wash surface with water.
- Failure to clean mounting surface properly may cause tape to have poor adhesion to vehicle.
- If vehicle has been recently painted, allow paint to dry and age 24 hours before installing spoiler.
- Install spoiler when ambient temperature is above 15 °C (60 °F).
- Do not wash or expose vehicle to a wet environment for 24 hrs. after installing spoiler.
- Use proper pressure of 103kpa (15 lb/in²) applied with a dry, soft, clean rag to adhere spoiler tape.

INSTALLATION PROCEDURE:

Fig. 1

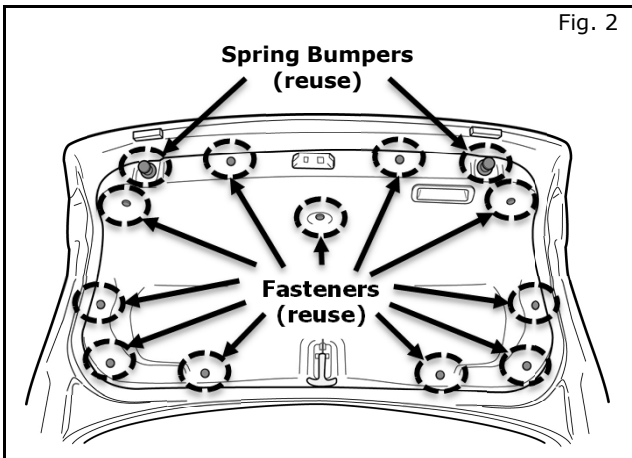


1) Apply parking brake.

2) Inner liner removal.

- a) Open trunk lid.
- b) Place drop cloth in trunk to cover the inside.
- c) Gently pry emergency trunk release and handle cup assembly from decklid (Fig. 1).
- d) Remove and retain (11) fasteners using a flat blade screwdriver (Fig. 2). Release center portion of fastener and slide fastener out of hole.
- e) Remove spring bumpers by inserting hand thru trunk lid and push out (Fig. 2).
- f) Remove liner.

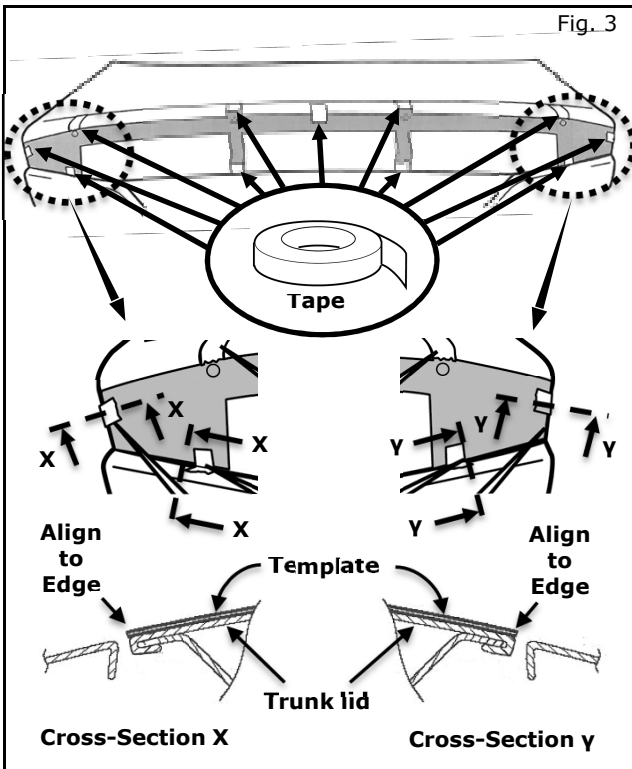
Fig. 2



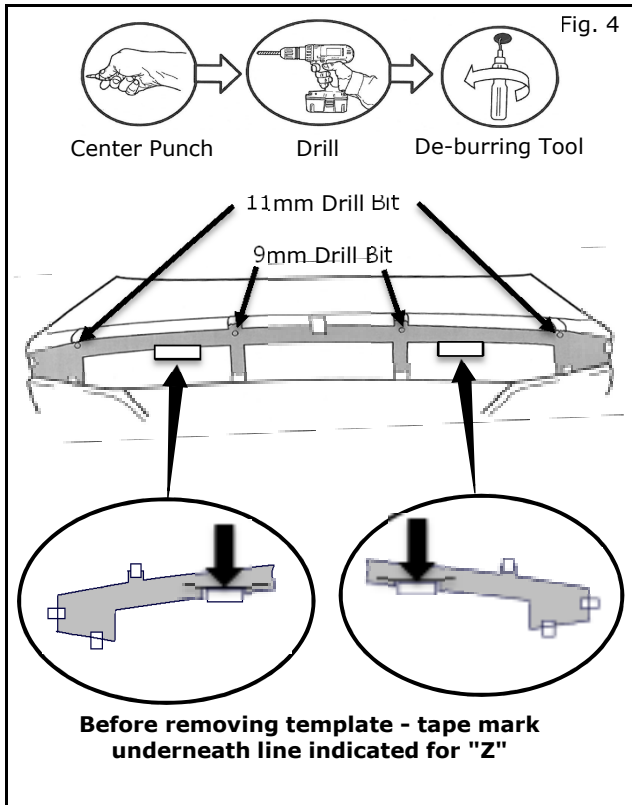
3) Position drill template and drill holes.

- a) Use instructions on drill template to align it on trunk lid (Fig. 3). Template must align to edges of trunk lid.
- b) Tape template to trunk lid at tape marks on template in sequential order. Template should align to edge of trunk lid (Fig. 3).

Fig. 3



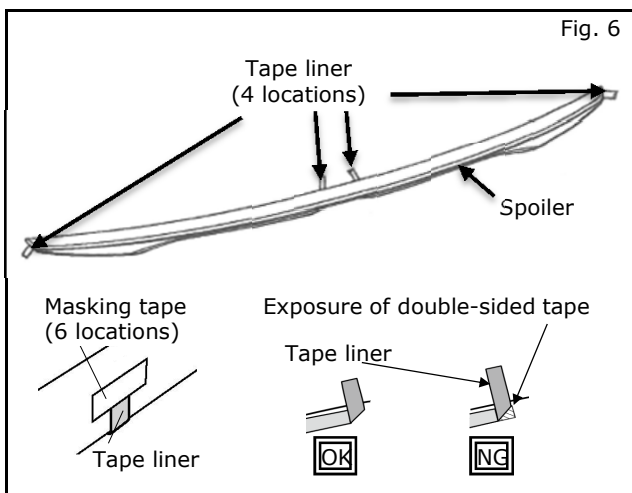
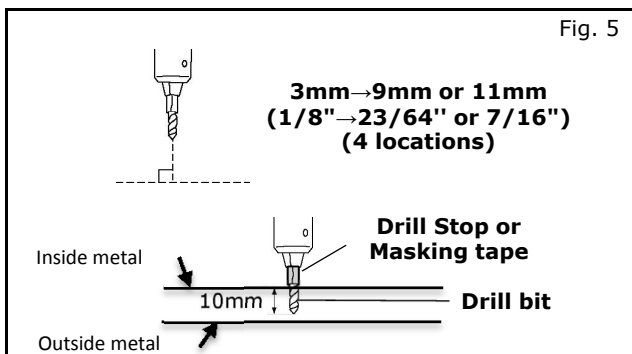
Step 3 Continued



- c) Locate punch marks at stamped dimples on template (Fig. 4). A light, quick impact on center punch is recommended to prevent a deep dent on trunk lid. Four (4) places total.
- d) Place tape strip under template in marked area to indicate position for "Z" direction spoiler alignment (Fig. 4).
- e) Remove drill template from the trunk lid.
- f) To prevent drill tip from contacting outer surface of sheet metal - if a drill stop is not available - wrap masking tape around 3mm (1/8"), 9mm (23/64"), and 11mm (7/16") drill bits, approximately 10mm from tip (Fig. 5).
- g) Being careful not to allow drill to contact outer sheet metal, drill 3mm (1/8") pilot holes at the four (4) punch mark locations (Fig. 4).
- h) Drill holes to final sizes as indicated on drill template (center holes 9mm, outer holes 11mm).
- i) De-burr four (4) holes and remove metal chips. (Fig. 4)
- j) Add rust preventative (P/N: 999MP 9G001P) to holes and allow to dry.

CAUTION

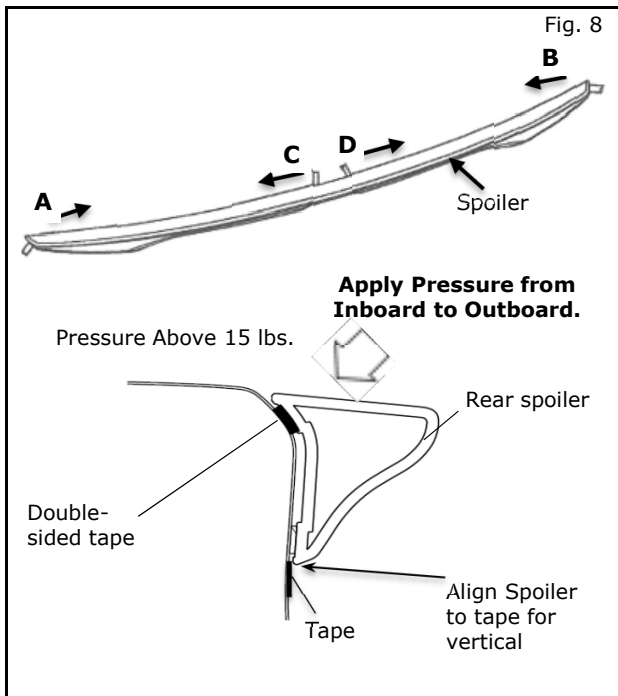
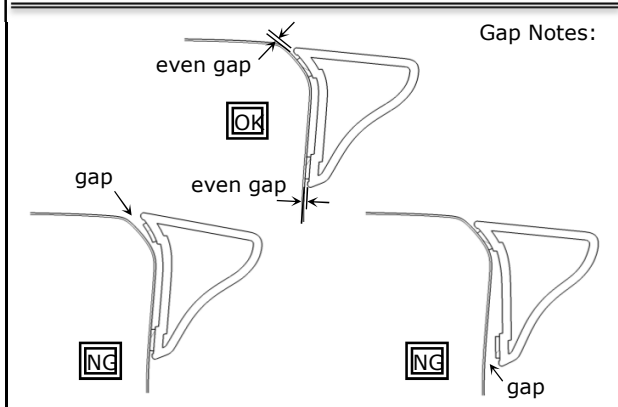
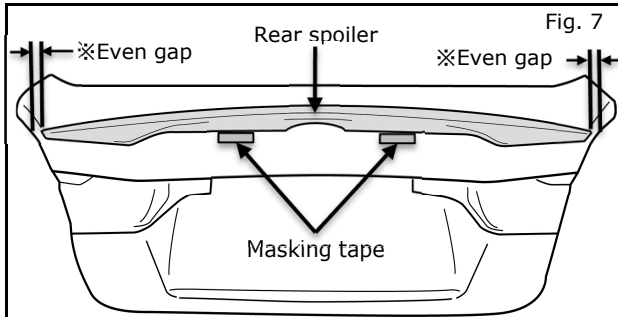
- FAILURE TO APPLY RUST PREVENTATIVE WILL RESULT IN RED RUST.



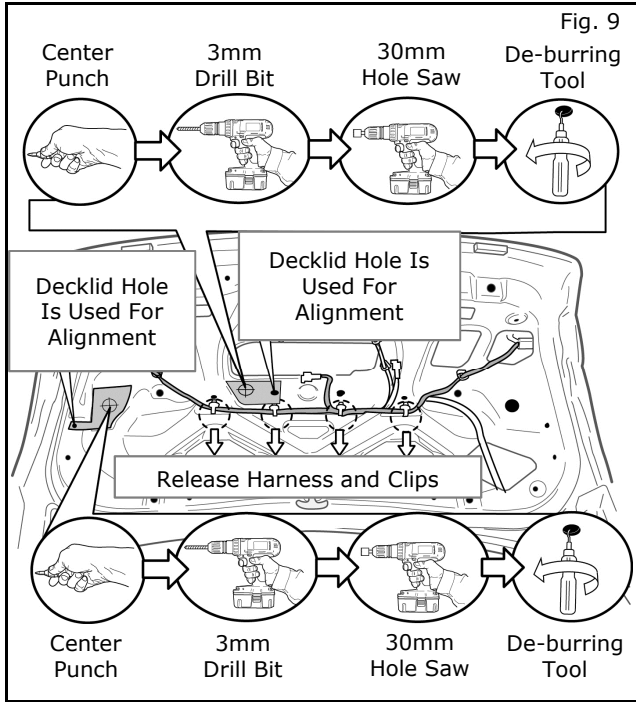
4) Attaching rear spoiler to the trunk lid.

- a) The surface of the trunk lid must be cleaned with alcohol solution 90% or greater for proper tape adhesion. Let area dry thoroughly.
- b) The trunk temperature should be at least 60°F (15°C) for proper start-up adhesion of the tape. Use a hot air blower if the temperature is below 60°F.
- c) Use masking tape to position tape liners on spoiler to ensure that tape liner is accessible (Fig. 6).

Step 4 Continued

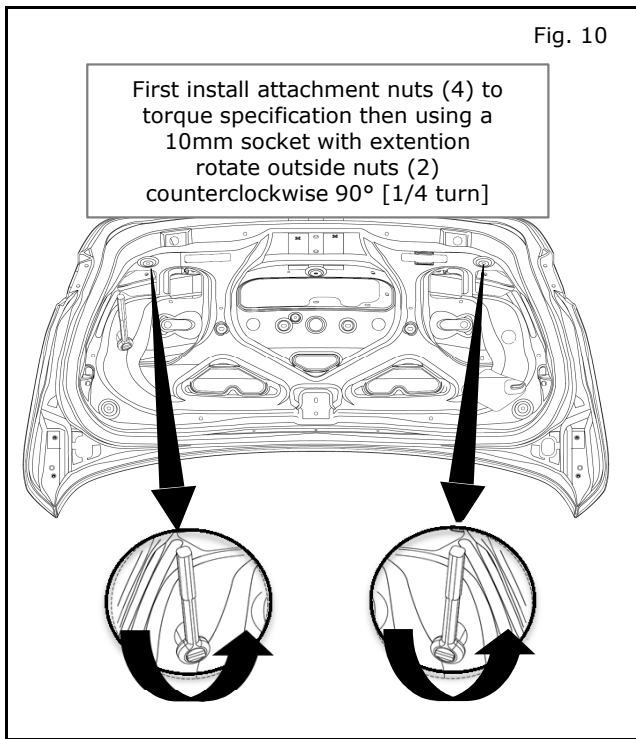


- d) Remove stud covers and carefully place spoiler on trunk lid. Confirm the gaps are equal on both sides of spoiler, check Fig.7 Gap Notes for proper hole alignment. Remove the spoiler.
- e) Carefully remove tape liners A and B from triangular tape on each end of spoiler (Fig.8) taking care not to break the tape.
- f) Carefully place spoiler over trunk lid.
- g) Adjust 2 sliding studs into the holes.
- h) Before contacting tape to trunk lid, verify that the spoiler is centered to trunk lid and aligned to position of masking tape (Fig.7 & Fig.8).
- i) Press spoiler to trunk lid. Verify alignment and reposition if necessary. From the inboard to outboard remove the remaining inside two (2) tape liners C and D (Fig.8).
- j) Using micro fiber cloth apply 15 lbs of pressure on spoiler to adhere spoiler to trunk lid. Apply pressure starting inboard and move outboard. Pressure must be applied around entire perimeter of spoiler.



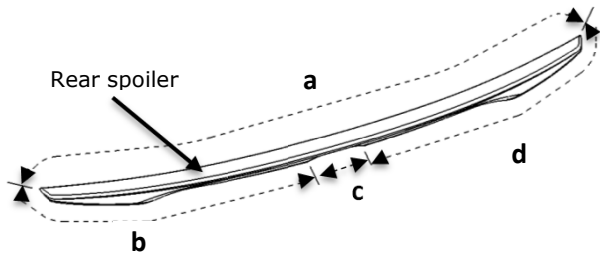
5) Locate and drill access holes (4).

- a) Open trunk lid. Release harness from trunk lid at (4) locations (Fig. 9).
- b) Position inboard and outboard templates for LH access holes (Fig. 9).
NOTE: Templates found on last pages of instructions.
- c) Locate and punch mark the center of the holes (2).
- d) Remove templates.
- e) Drill 3mm (1/8") pilot holes at each punch mark location (Fig. 9).
- f) Using 30mm (1 1/4") hole saw, drill holes to final size.
- g) Add rust preventative (P/N: 999MP 9G001P) to holes and allow to dry.
- h) Repeat for opposite side.
- i) Hand install all (4) M6 nuts onto studs.
- j) Using a 10mm socket with extension, tighten nuts (4) from Inboard to Outboard 3.3 to 3.8 Nm
Do not over torque the nuts.



- k) NOTE: The following step is very important and must be done correctly!
Using 10mm socket with extension, rotate outboard nuts (2) counterclockwise 90° [1/4 turn] Fig.10

Fig. 11



Limit Gap	A	B	C	D
X mm	1.5	2.0	2.0	2.0

- l) Check limit gaps Fig.11
- m) Attach harness to trunk lid.

6) Reinstall :

- a) Inner Liner
- b) Pull Handle Cup
- c) Emergency Trunk Release
- d) Spring Bumpers
- e) Clips / Fasteners

ACCESSORY CHECK:

Please check that installation has no problem.

Check gap. Fig.10 and see Gap Notes on page 4.

REINSTALLATION OF REMOVED PARTS

Re-install all removed vehicle parts. Refer to the vehicle service manual for more details.

Clean trunk opening of vehicle.

FINAL INSPECTION:

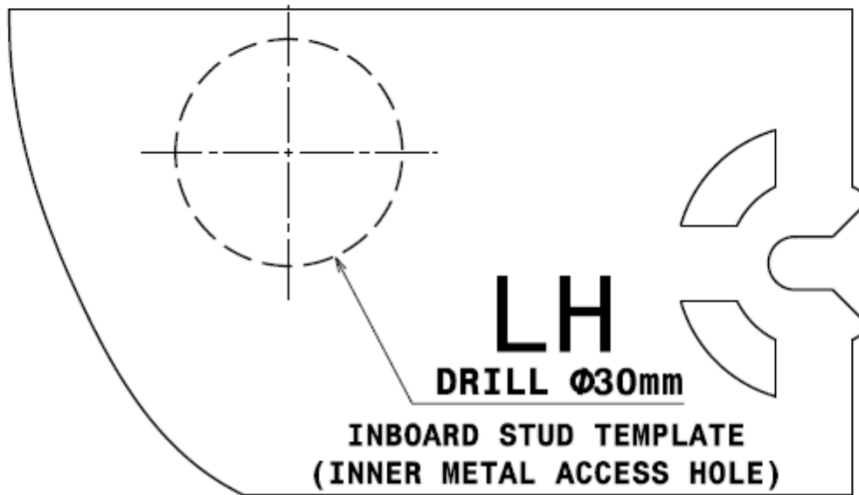
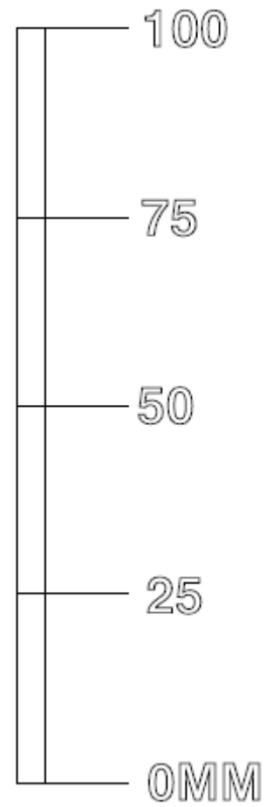
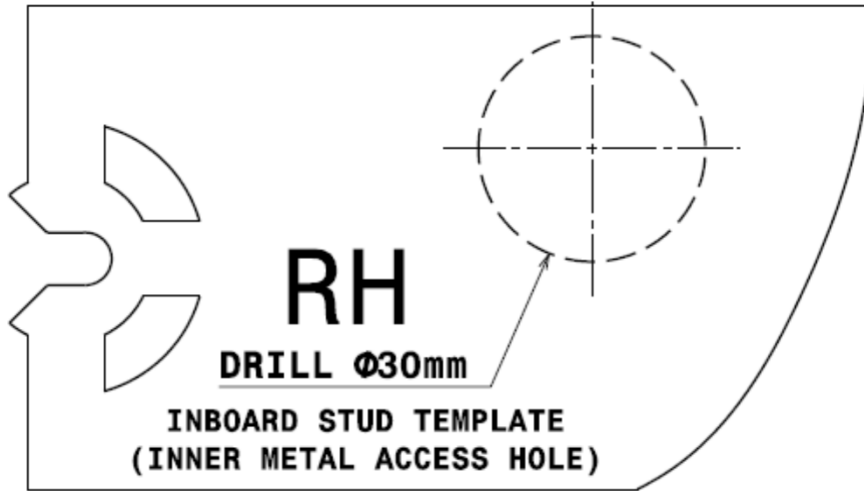
Verify re-installed trim parts for proper flush fit

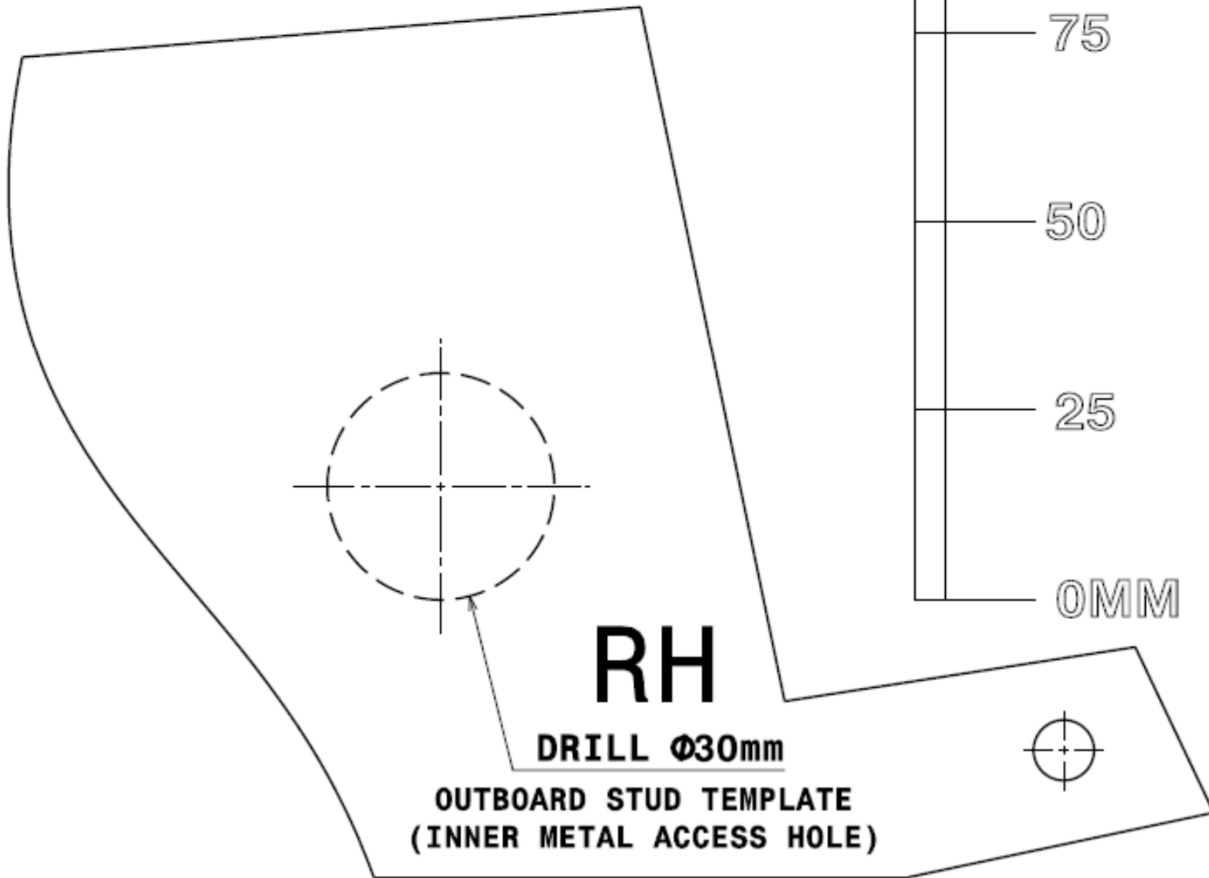
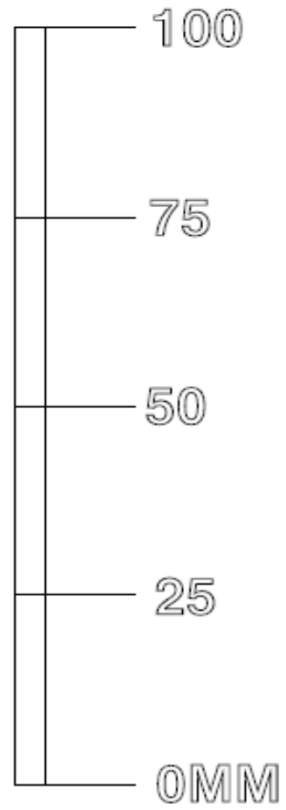
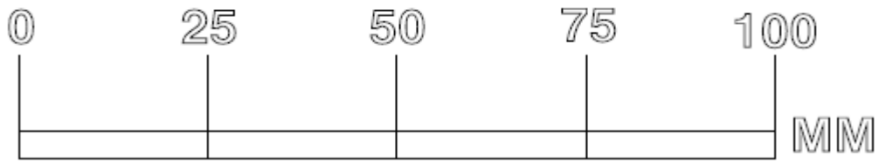
Verify all clips are fully engaged and locked.

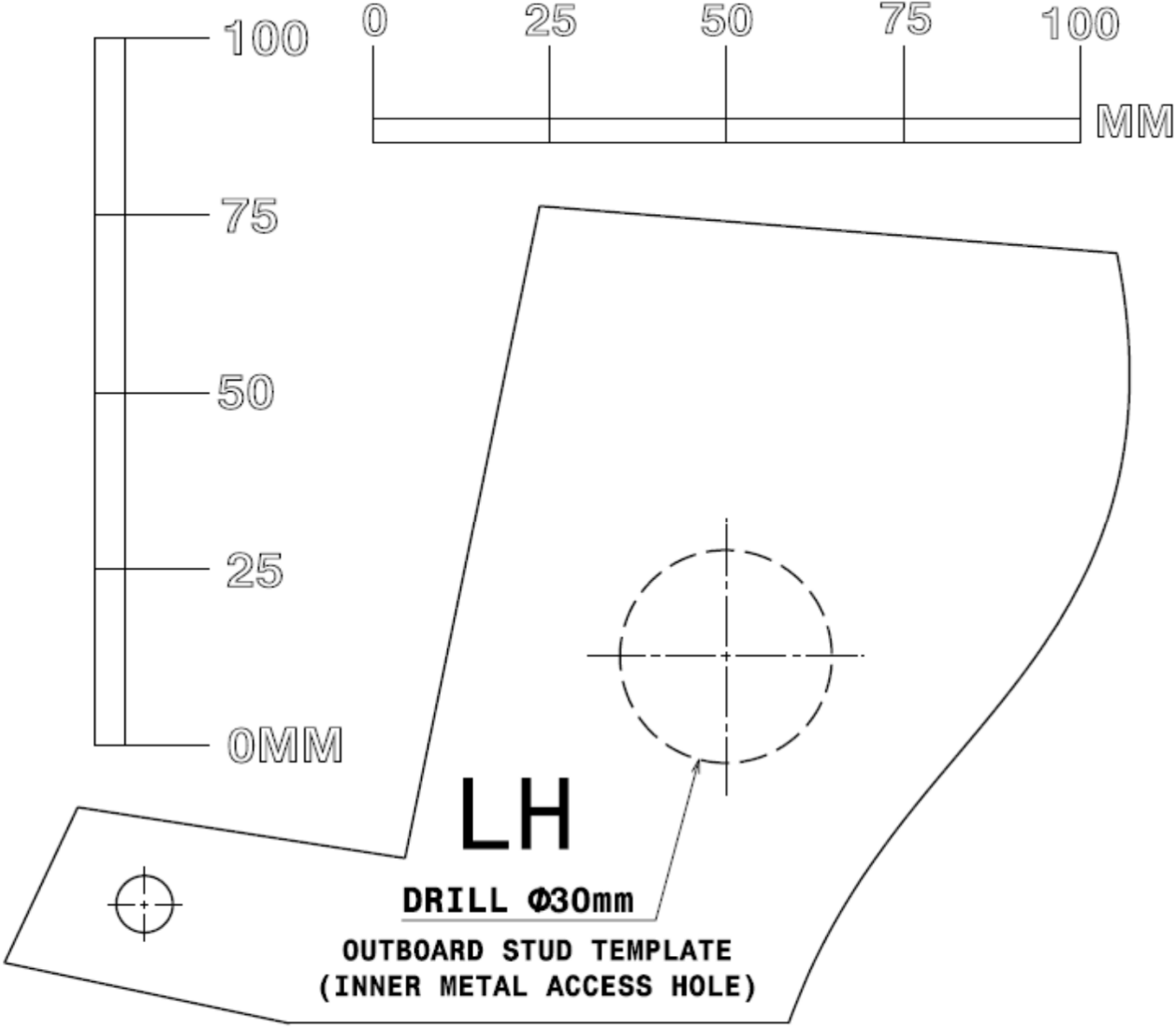
Verify re-installed trim parts are free from cracks, scratches or stress marks.

VEHICLE CHECK

Remove all tools from vehicle.









GENUINE PARTS

INSTALLATION INSTRUCTIONS

DESCRIPTION: REAR SPOILER KIT
APPLICATION: INFINITI Q50
PART NUMBER: 999J1 J3xxx (xxx designates color)

KIT CONTENTS:

Item	Qty.	Part Description	Service Part Number
A	1	Spoiler Assembly	999J1 J3xxx
B	4	M6 Nuts [w/blue loctite]	"NOT AVAILABLE"
C	1	Installation Instruction Replacement Template	999V2 AW000
D	1	Spoiler Drill Template	999J1 J2000 T

TOOLS REQUIRED:

- Clean shop rags
- Masking tape
- Drop cloth
- Vacuum
- Hammer
- Center punch
- Phillips screwdriver
- Tape measure
- Deburring tool
- Variable speed drill
- Drill bits: 1/8" or 3mm, 23/64" or 9mm, and 7/16" or 11mm
- Hole saw: 1 1/4" or 30mm
- Torque wrench
- Ratchet with extension
- 10mm deep socket
- Rust preventative (P/N 999MP-9G001P)
- Alcohol solution 90% or greater

PRE-INSTALLATION WARNINGS, CAUTIONS, CRITICAL STEPS, and NOTES:

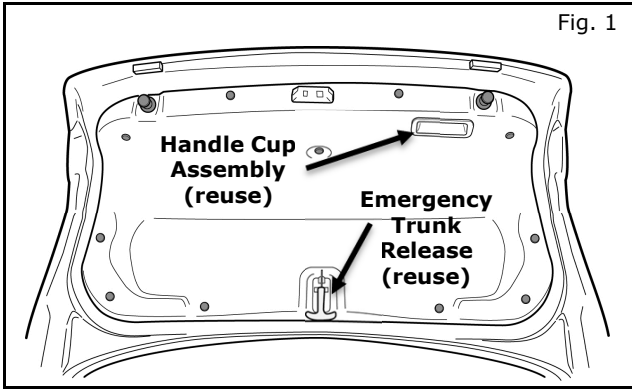
- Dealer Installation Recommended. Instructions may refer to Service Manual.

WARNING

- Some plastic surfaces may become damaged by alcohol solution. Cover and protect taillight lenses. If alcohol does come into contact with the lens, immediately wash surface with water.
- Failure to clean mounting surface properly may cause tape to have poor adhesion to vehicle.
- If vehicle has been recently painted, allow paint to dry and age 24 hours before installing spoiler.
- Install spoiler when ambient temperature is above 15 °C (60 °F).
- Do not wash or expose vehicle to a wet environment for 24 hrs. after installing spoiler.
- Use proper pressure of 103kpa (15 lb/in²) applied with a dry, soft, clean rag to adhere spoiler tape.

INSTALLATION PROCEDURE:

Fig. 1

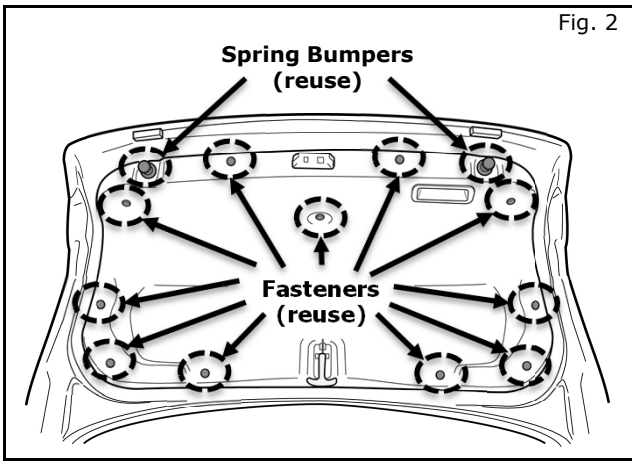


1) Apply parking brake.

2) Inner liner removal.

- a) Open trunk lid.
- b) Place drop cloth in trunk to cover the inside.
- c) Gently pry emergency trunk release and handle cup assembly from decklid (Fig. 1).
- d) Remove and retain (11) fasteners using a flat blade screwdriver (Fig. 2). Release center portion of fastener and slide fastener out of hole.
- e) Remove spring bumpers by inserting hand thru trunk lid and push out (Fig. 2).
- f) Remove liner.

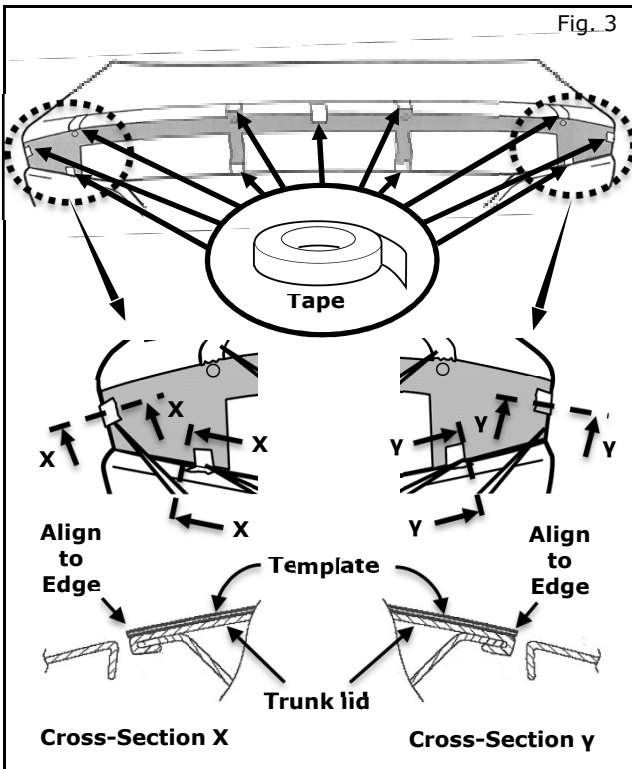
Fig. 2



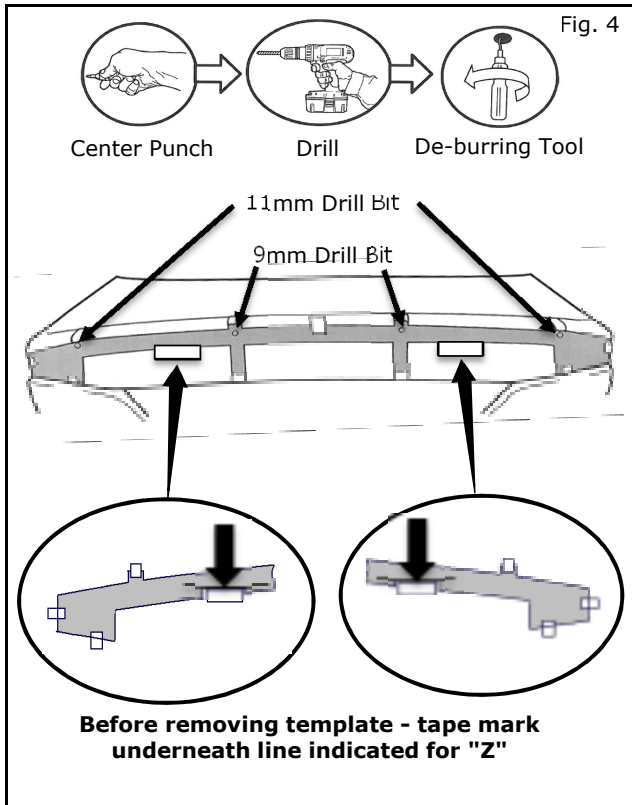
3) Position drill template and drill holes.

- a) Use instructions on drill template to align it on trunk lid (Fig. 3). Template must align to edges of trunk lid.
- b) Tape template to trunk lid at tape marks on template in sequential order. Template should align to edge of trunk lid (Fig. 3).

Fig. 3



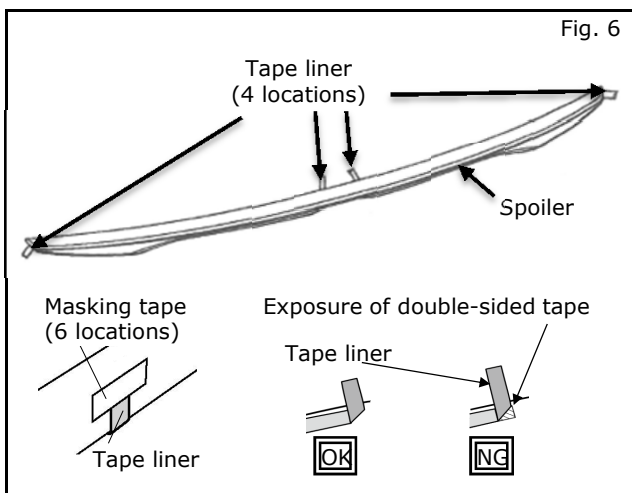
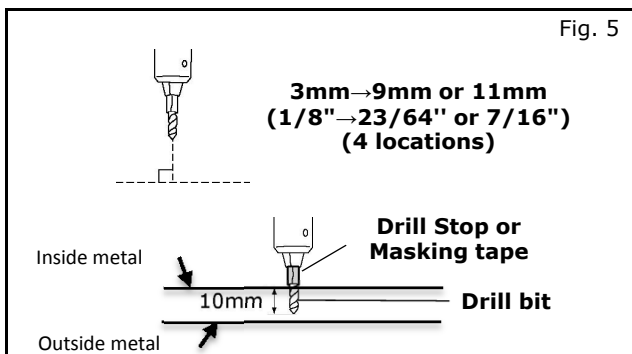
Step 3 Continued



- c) Locate punch marks at stamped dimples on template (Fig. 4). A light, quick impact on center punch is recommended to prevent a deep dent on trunk lid. Four (4) places total.
- d) Place tape strip under template in marked area to indicate position for "Z" direction spoiler alignment (Fig. 4).
- e) Remove drill template from the trunk lid.
- f) To prevent drill tip from contacting outer surface of sheet metal - if a drill stop is not available - wrap masking tape around 3mm (1/8"), 9mm (23/64"), and 11mm (7/16") drill bits, approximately 10mm from tip (Fig. 5).
- g) Being careful not to allow drill to contact outer sheet metal, drill 3mm (1/8") pilot holes at the four (4) punch mark locations (Fig. 4).
- h) Drill holes to final sizes as indicated on drill template (center holes 9mm, outer holes 11mm).
- i) De-burr four (4) holes and remove metal chips. (Fig. 4)
- j) Add rust preventative (P/N: 999MP 9G001P) to holes and allow to dry.

CAUTION

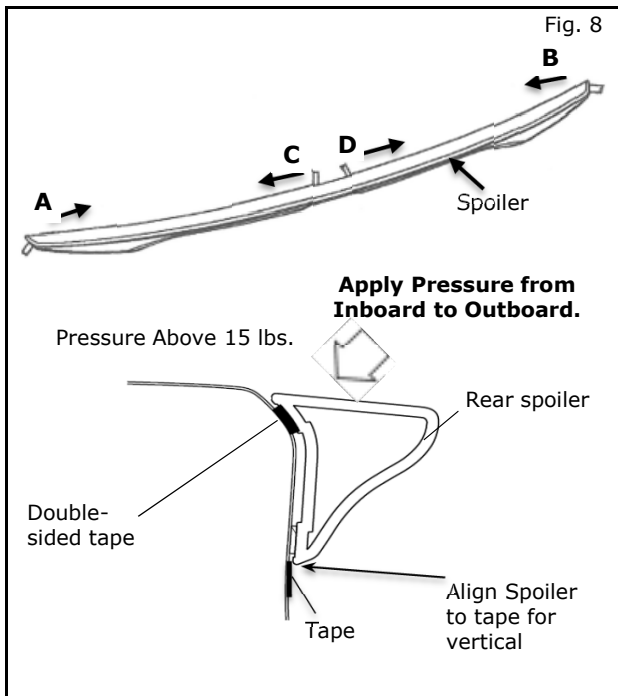
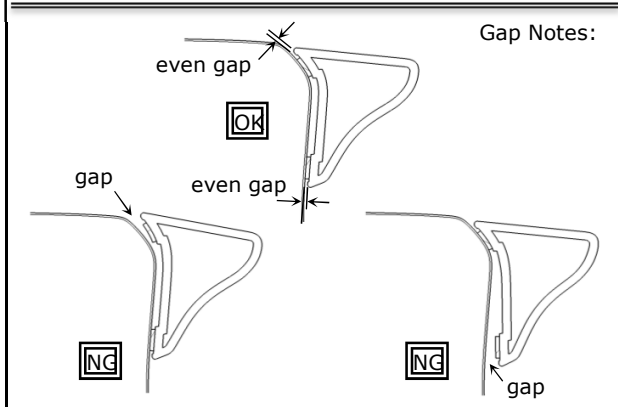
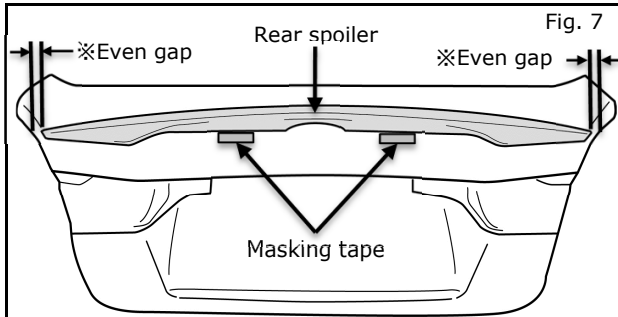
- FAILURE TO APPLY RUST PREVENTATIVE WILL RESULT IN RED RUST.



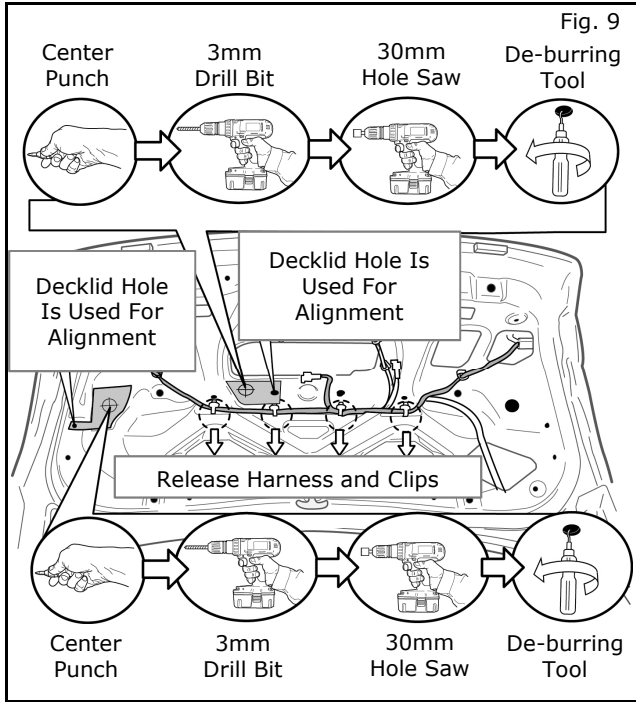
4) Attaching rear spoiler to the trunk lid.

- a) The surface of the trunk lid must be cleaned with alcohol solution 90% or greater for proper tape adhesion. Let area dry thoroughly.
- b) The trunk temperature should be at least 60°F (15°C) for proper start-up adhesion of the tape. Use a hot air blower if the temperature is below 60°F.
- c) Use masking tape to position tape liners on spoiler to ensure that tape liner is accessible (Fig. 6).

Step 4 Continued

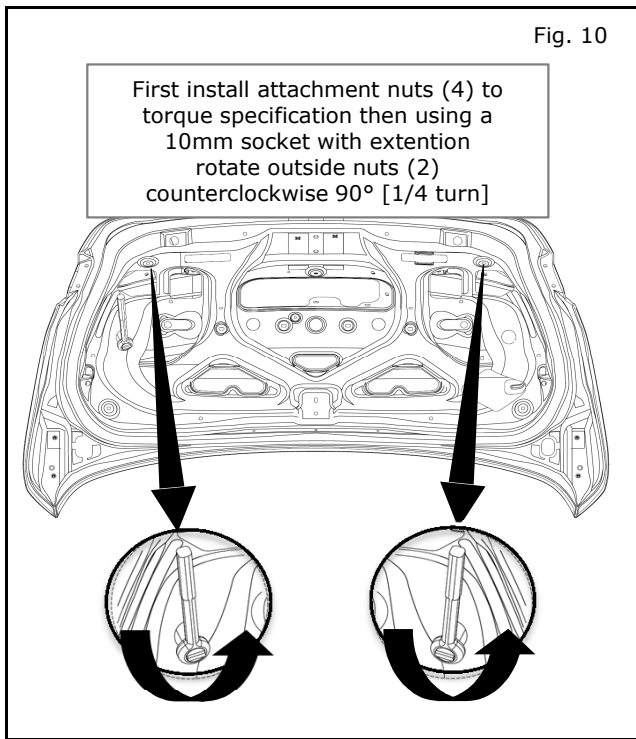


- d) Remove stud covers and carefully place spoiler on trunk lid. Confirm the gaps are equal on both sides of spoiler, check Fig.7 Gap Notes for proper hole alignment. Remove the spoiler.
- e) Carefully remove tape liners A and B from triangular tape on each end of spoiler (Fig.8) taking care not to break the tape.
- f) Carefully place spoiler over trunk lid.
- g) Adjust 2 sliding studs into the holes.
- h) Before contacting tape to trunk lid, verify that the spoiler is centered to trunk lid and aligned to position of masking tape (Fig.7 & Fig.8).
- i) Press spoiler to trunk lid. Verify alignment and reposition if necessary. From the inboard to outboard remove the remaining inside two (2) tape liners C and D (Fig.8).
- j) Using micro fiber cloth apply 15 lbs of pressure on spoiler to adhere spoiler to trunk lid. Apply pressure starting inboard and move outboard. Pressure must be applied around entire perimeter of spoiler.



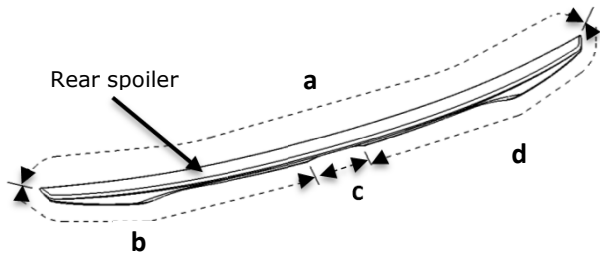
5) Locate and drill access holes (4).

- a) Open trunk lid. Release harness from trunk lid at (4) locations (Fig. 9).
- b) Position inboard and outboard templates for LH access holes (Fig. 9).
NOTE: Templates found on last pages of instructions.
- c) Locate and punch mark the center of the holes (2).
- d) Remove templates.
- e) Drill 3mm (1/8") pilot holes at each punch mark location (Fig. 9).
- f) Using 30mm (1 1/4") hole saw, drill holes to final size.
- g) Add rust preventative (P/N: 999MP 9G001P) to holes and allow to dry.
- h) Repeat for opposite side.
- i) Hand install all (4) M6 nuts onto studs.
- j) Using a 10mm socket with extension, tighten nuts (4) from Inboard to Outboard 3.3 to 3.8 Nm
Do not over torque the nuts.



- k) NOTE: The following step is very important and must be done correctly!
Using 10mm socket with extension, rotate outboard nuts (2) counterclockwise 90° [1/4 turn] Fig.10

Fig. 11



Limit Gap	A	B	C	D
X mm	1.5	2.0	2.0	2.0

- l) Check limit gaps Fig.11
- m) Attach harness to trunk lid.

6) Reinstall :

- a) Inner Liner
- b) Pull Handle Cup
- c) Emergency Trunk Release
- d) Spring Bumpers
- e) Clips / Fasteners

ACCESSORY CHECK:

Please check that installation has no problem.

Check gap. Fig.10 and see Gap Notes on page 4.

REINSTALLATION OF REMOVED PARTS

Re-install all removed vehicle parts. Refer to the vehicle service manual for more details.

Clean trunk opening of vehicle.

FINAL INSPECTION:

Verify re-installed trim parts for proper flush fit

Verify all clips are fully engaged and locked.

Verify re-installed trim parts are free from cracks, scratches or stress marks.

VEHICLE CHECK

Remove all tools from vehicle.

