



GENUINE PARTS

INSTALLATION INSTRUCTIONS

DESCRIPTION: Midnight Black Grille Kit

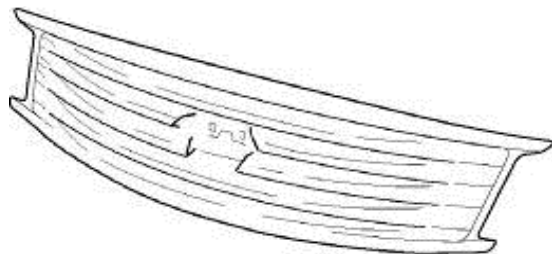
APPLICATION: Q40

PART NUMBER: F2310-1NF1A

KIT CONTENTS:

Item	Qty.	Description	Service Part Number
A	1	Midnight Black Grille	---
B	1	Installation Instruction Replacement Template	---

A



B



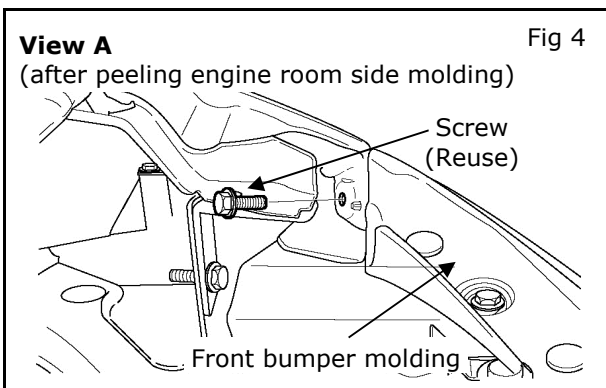
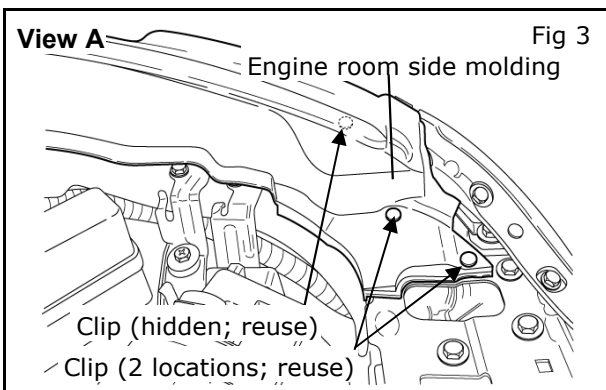
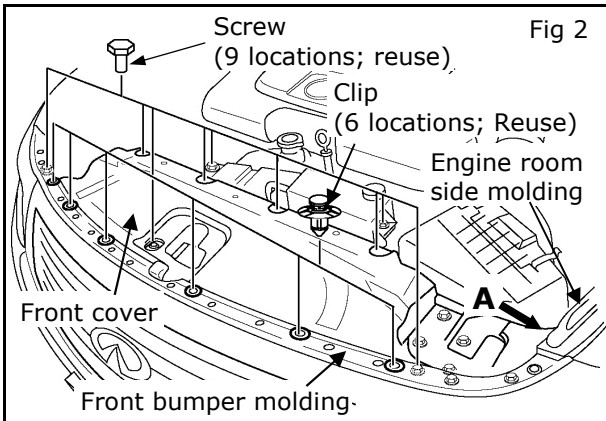
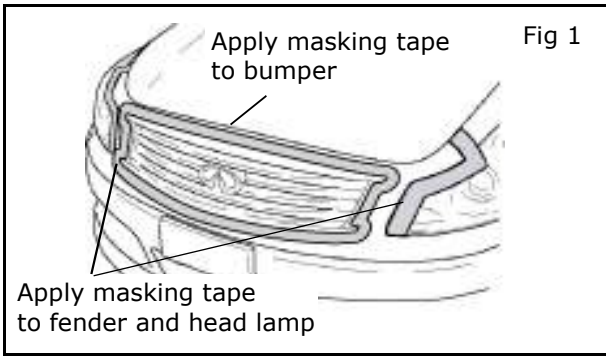
TOOLS REQUIRED:

- Flathead screwdriver
- Masking Tape
- Needle nose pliers
- Clip Remover
- 10mm Socket & Driver
- Tape

PRE-INSTALLATION WARNING, CAUTIONS CRITICAL STEPS, and NOTES:

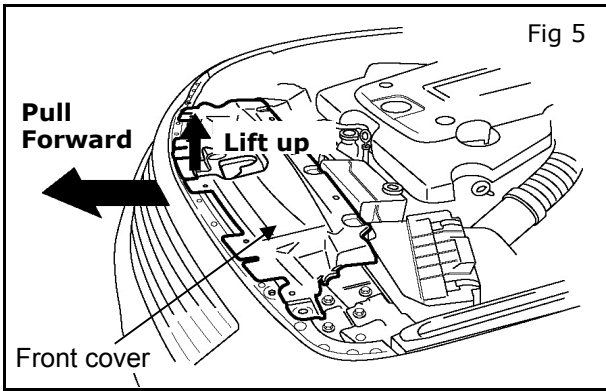
- Dealer installation Recommended.

INSTALLATION PROCEDURE:

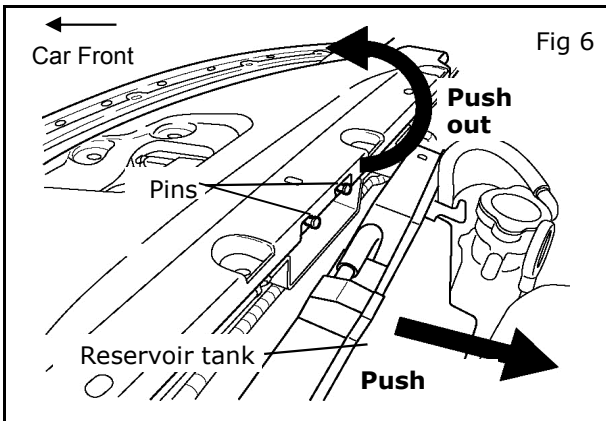


- 1) Open vehicle engine hood.
- 2) Apply masking tape to front fender, head lamp and bumper, around the grille, to prevent scratches. See Fig 1.
- 3) Remove screws and clips that attach the front cover to the vehicle. See Fig 2.
- 4) Remove screws that attach the reservoir tank to the vehicle.
- 5) Partially peel back the engine room side molding and remove the engine room side molding clips (RH and LH). See Fig 3.
- 6) With the engine room side molding partially peeled back remove a screw (RH and LH). See Fig 4.

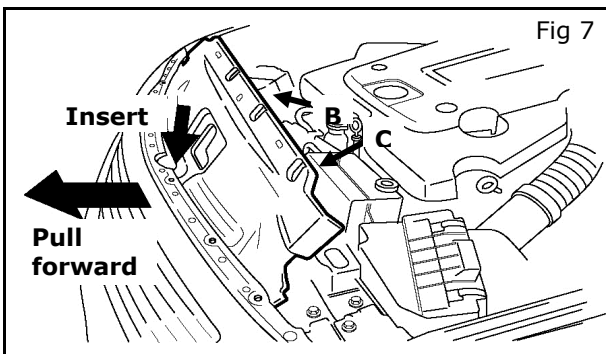
INSTALLATION PROCEDURE:



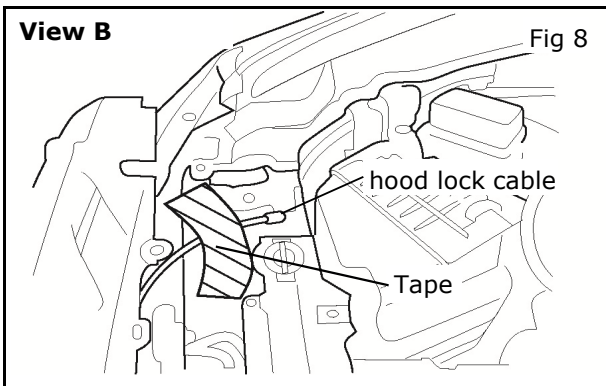
- 7) While pulling the top of the bumper forward, lift the front edge of the front cover up and sit it on the bumper. See Fig 5.



- 8) Push reservoir tank rearward, push front cover rearward and rotate until the front cover disengages from pins. See Fig 6.



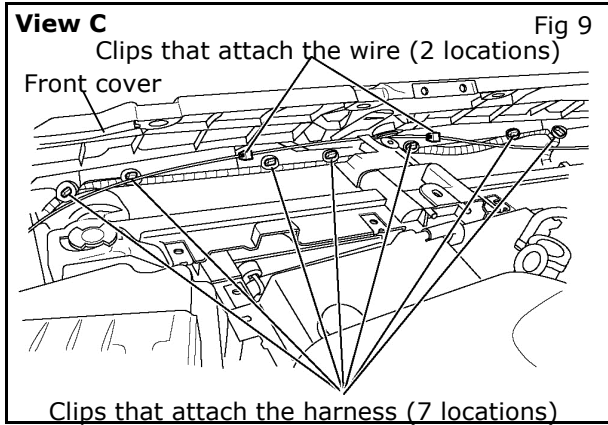
- 9) While pulling the top of the bumper forward, insert the front edge of front cover under the top of the bumper. See Fig 7.



- 10) Fix hood lock cable to vehicle with tape. See Fig 8.

NOTE;
Secure hood lock cable with tape to prevent cable from separating from hood lock bracket and latch.

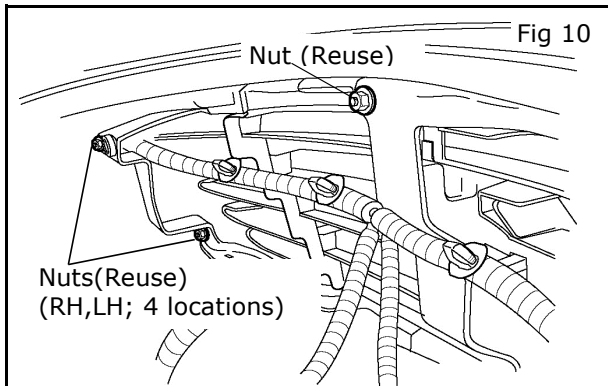
INSTALLATION PROCEDURE:



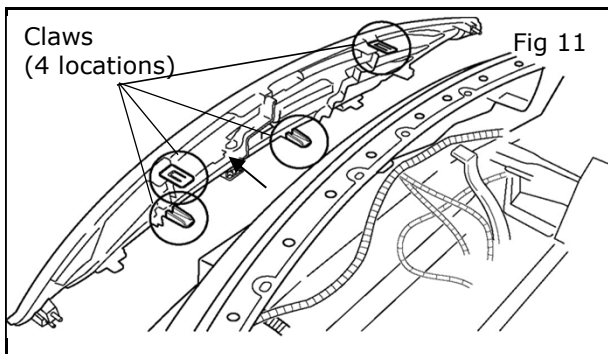
- 11) Remove clips that attach the hood lock cable and harness to the front cover then remove front cover. See Fig 9.

NOTE:

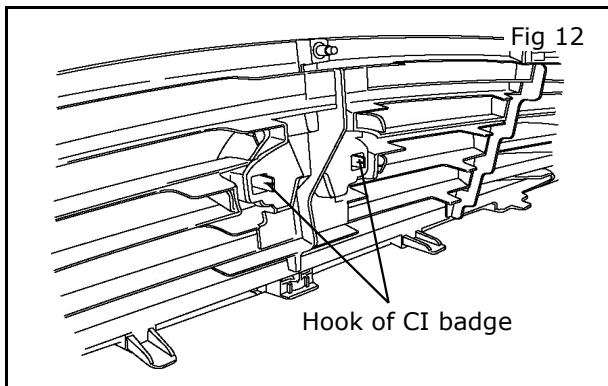
- It is not necessary to remove hood lock cable from hood lock.
- If end of cable came out bracket, attach cable to bracket and also confirm end of cable is attached to latch.



- 12) Remove the nuts that attach the radiator grille. See Fig 10.

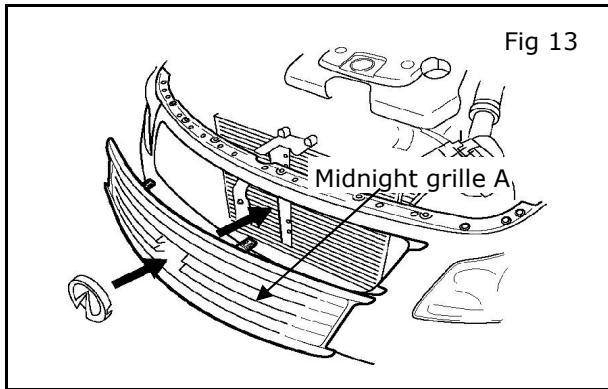


- 13) By hand, unhook the grille claws from the bumper and slowly remove the grille by pulling the grille away from bumper. See Fig 11.



- 14) Unhook and remove CI badge (reuse) from the grille. See Fig 12.

INSTALLATION PROCEDURE:



- 15) Assemble the CI badge that was removed from the grille in step 14) to Midnight grille A.
- 16) Align Midnight grille A claws to the holes in bumper.
- 17) Push Midnight grille A against the bumper until Midnight grille A claws are fully inserted and locked.
- 18) Fix Midnight grille A with the nut that were removed in step 12).
- 19) Attach the hood lock cable and harness to clips that were detached in 11) properly.
- 20) Reinstall all removed parts in reverse order.
- 21) Remove all the masking tape from the vehicle.
- 22) Confirm operation of hood lock cable by using release lever inside vehicle. Close hood.

FINAL INSPECTION

- Confirm operation of hood lock cable by using release lever inside vehicle.