



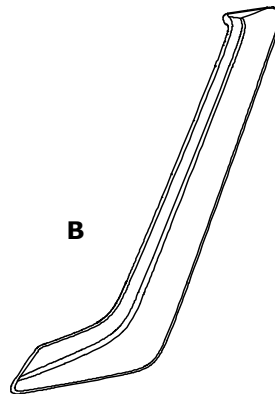
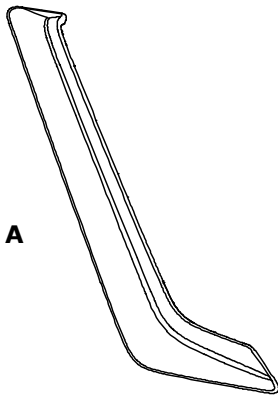
GENUINE PARTS

INSTALLATION INSTRUCTIONS

DESCRIPTION:	Fender Vent - Carbon Fiber
APPLICATION:	Q60
PART NUMBER:	T99G8 5CH0A

KIT CONTENTS:

Item	Qty.	Part Description
A	1	Carbon Fiber Fender Vent LH
B	1	Carbon Fiber Fender Vent RH
C	1	Installation Instruction Replacement Template



TOOLS REQUIRED:

- Clean, Lint-Free Cloth
- 90% Isopropyl Alcohol Solution.
- Masking Tape

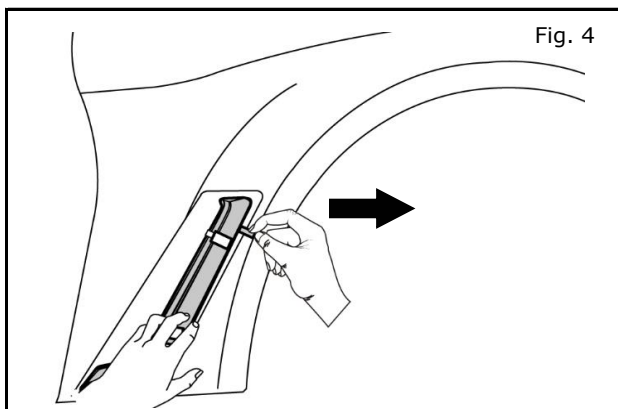
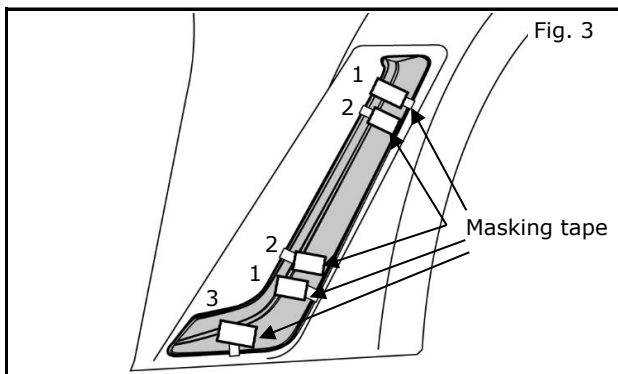
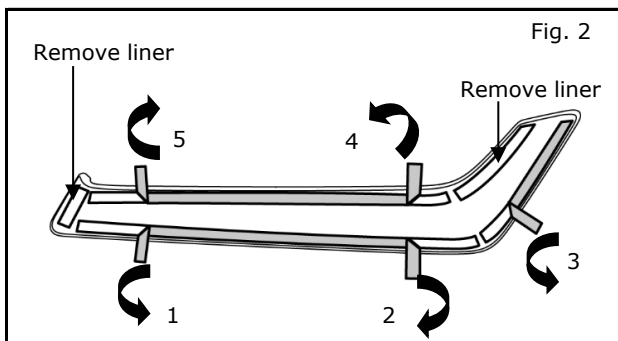
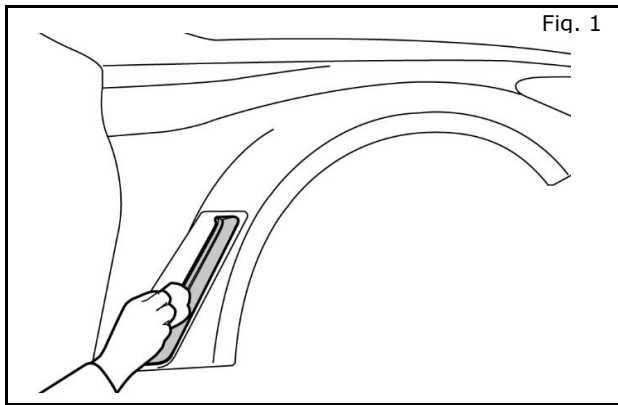
PRE-INSTALLATION WARNINGS, CAUTIONS, CRITICAL STEPS, and NOTES:

- Dealer Installation Recommended. Instructions may refer to Service Manual.

WARNING

- Install the vender vents when the ambient temperature is above 60°F (15°C).
- Do not wash or expose vehicle to a wet environment for 24 hours after installing fender vent

INSTALLATION PROCEDURE:



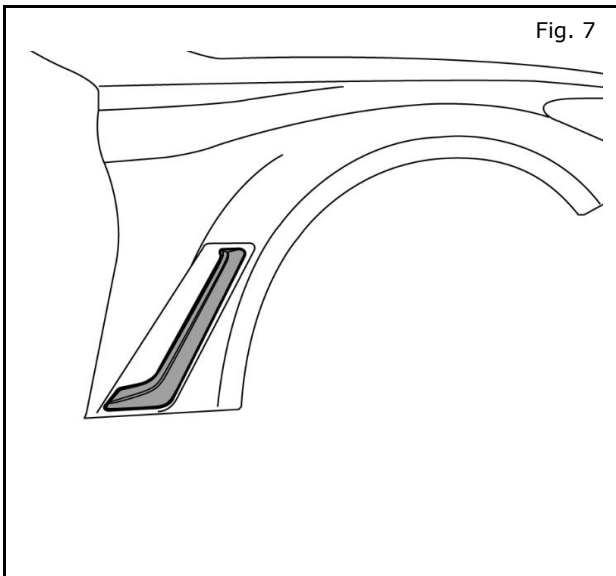
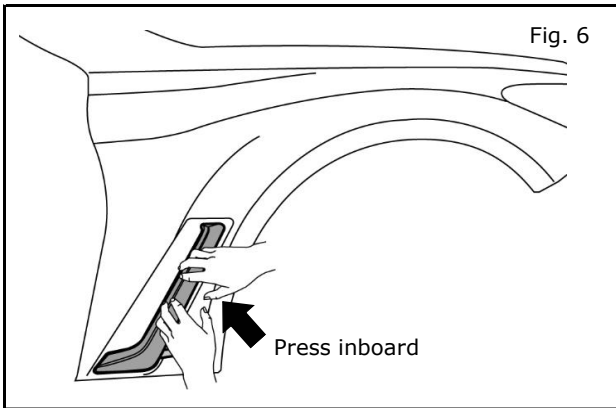
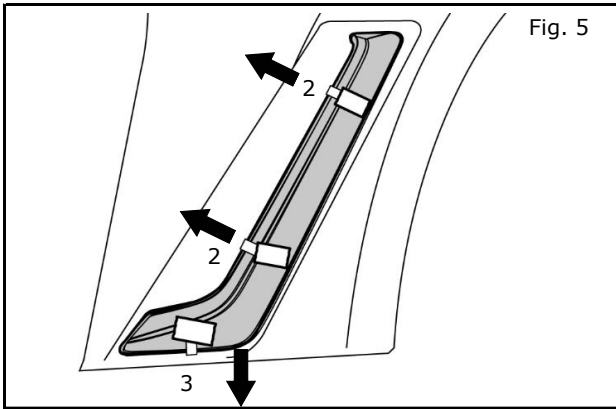
- 1) Clean fender vent thoroughly with soap and water in area shown to remove any dirt or debris and allow to dry.
- 2) Use isopropyl alcohol to clean mounting surface of each fender vent.

CAUTION

• Failure to clean the mounting surface properly may cause the adhesive tape to have poor adhesion to the vehicle.

- 3) Remove two small sections of liners completely as shown.
- 4) Pull tape liners diagonally in five areas shown to expose approximately 1" of tape from top and outboard pieces. Fold liner over outside edge of part and tape down with masking tape (see fig 3).
- 5) Align fender vent to fender to ensure proper fit. Ensure no chrome is visible around perimeter of part.
- 6) Lightly press on top and outboard edges at exposed tape end locations.
- 7) Confirm alignment/coverage of OE fender vent. If trim line is exposed, remove fender vent cover and realign.
- 8) Remove first tape liner by pulling away tab from fender vent.
- 9) Lightly press top edge to the fender.

INSTALLATION PROCEDURE: (continued)



- 10) Remove remaining tape liners from outboard edges in order shown. Remove liners by pulling tabs away from fender vent.

NOTE:

If liners are difficult to remove, gently pull up on part when pulling liners.

- 11) Lightly press outboard edges to fender.
- 12) Uniformly press fender vent to fender and hold for thirty (30) seconds.
- 13) Check gap. See Fig. 7.
- 14) Repeat installation process for opposite side of vehicle.
- 15) Gently buff fender vent with a soft cloth if necessary.
- 16) Do not wash vehicle, tug, or pull on fender vent for 24 hours.