



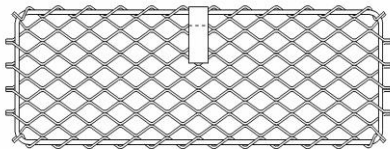
# GENUINE PARTS

## INSTALLATION INSTRUCTIONS

<b>DESCRIPTION:</b>	Console Net
<b>APPLICATION:</b>	Q50 / Q60
<b>PART NUMBER:</b>	T99C7 5CH0A

**KIT CONTENTS:**

Item	Qty.	Part Description
A	1	Console Net
B	1	Installation Instruction Replacement Template
C	1	Installation Hardware Kit
D	4	• 1/4 Turn Fastener
E	1	Drill Template



**A**



**B**



**D**

**TOOLS REQUIRED:**

- Drill
- Masking Tape
- 7mm (9/32") drill bit

**PRE-INSTALLATION WARNINGS, CAUTIONS, CRITICAL STEPS, and NOTES:**

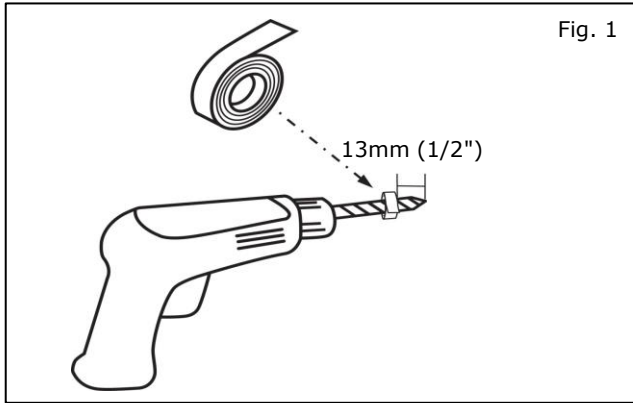
- Dealer installation recommended.
- Ensure that net is securely attached so cargo does not fall out during transit.
- Keep this installation instruction sheet with Vehicle Owner's Manual for future reference.
- Max load not to exceed 5 lbs.
- Net suitable for installation on passenger side of vehicle only.
- Net is not a cargo retention device and is not intended to secure items during a collision.
- Loaded contents of net shall not exceed perimeter bungee.
- Do not load sharp objects.

**⚠ CAUTION**

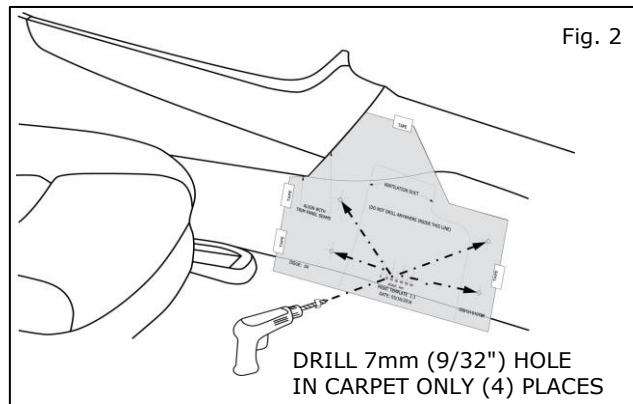
- Wiring located behind installation points, exercise caution when drilling.

## INSTALLATION PROCEDURE:

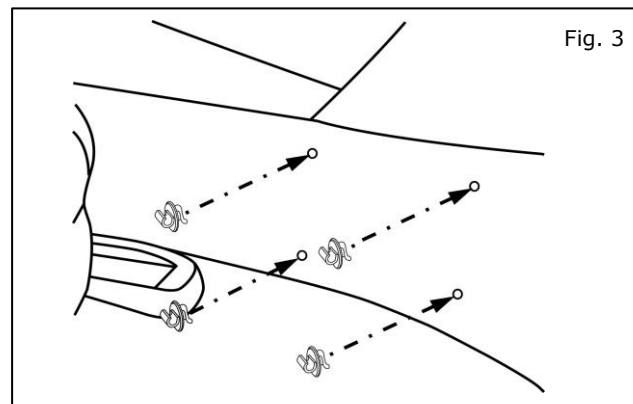
Note: Passenger side of vehicle pictured below.



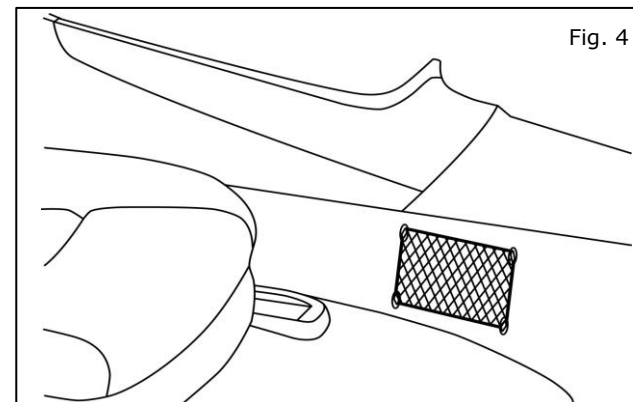
- 1) Wrap masking tape on 7mm (9/32") drill bit to limit drill depth to 13mm (1/2").



- 2) Cut template as instructed.
- 3) Align template as shown on passenger side center console; tape to secure.
- 4) Drill at 4 locations on template and remove template.



- 5) Install 1/4 turn fasteners at 4 drilled locations and rotate counterclockwise to engage.



- 6) Attach bungee to 4 fasteners.