

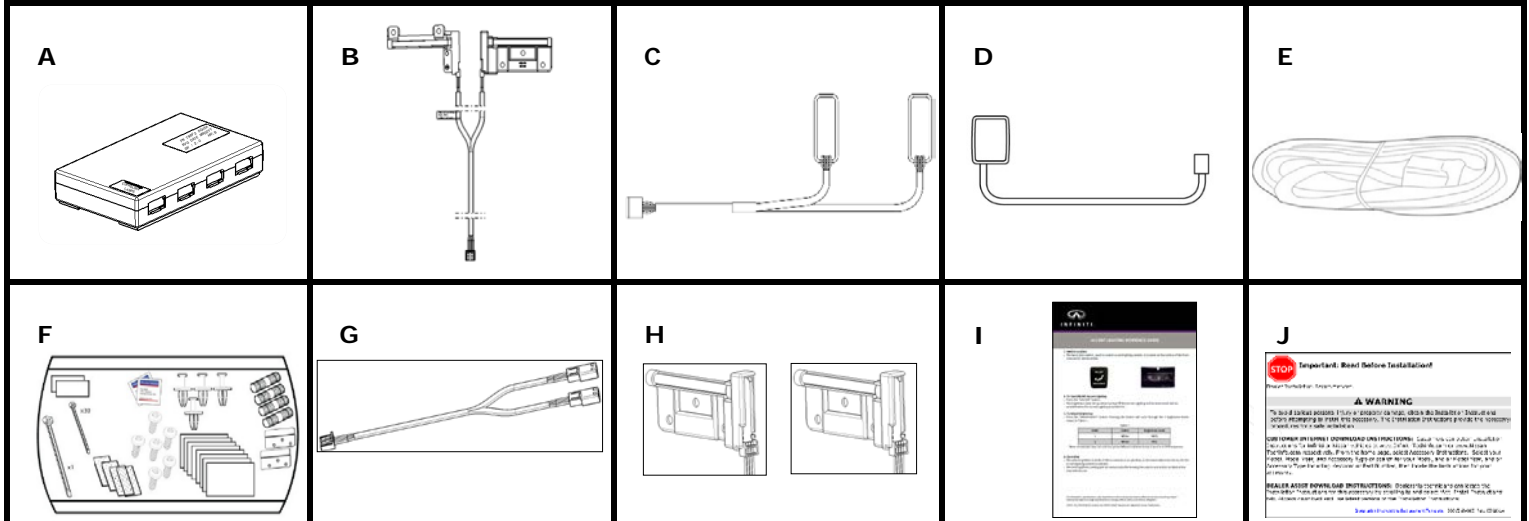


GENUINE PARTS

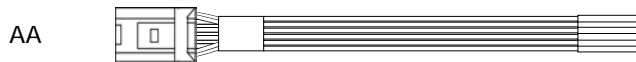
INSTALLATION INSTRUCTIONS

DESCRIPTION:	Interior Accent Lighting Kit
APPLICATION:	Q50/Q60
PART NUMBER(S)	T99F3 5CH0A
REQUIRED FOR	999Q9 AY001 (Accessory Service Connector) - Not Included in Accent Lighting Kit
INSTALLATION:	
KIT CONTENTS:	

Item	Qty.	Part Description	Service Part Number
A	1	Control Module	Not Serviceable- Parts of kit- T99F3 5CH0A
B	1	Front Footwell Lights and Harness Assembly	
C	1	Cup Holder Lights and Harness Assembly	
D	1	2-Button On/Off-Brightness Selection Switch and harness	
E	1	Vehicle Interface Harness (Power Harness)	
F	1	Hardware Kit	
G	1	Rear Foot Well T-Harness	
H	2	Rear Foot Well Lights	
I	1	Quick Reference Card	
J	1	Installation Instruction Replacement Template	



Item	Qty.	Part Description	Service Part Number
AA	1	Accessory Service Connector (NOT INCLUDED IN KIT)	999Q9-AY001



Note: 1 or 2 ASC may already be installed in the vehicle.

TOOLS REQUIRED:

- Trim Stick (Nylon)
- (Awl) Center Hole Punch
- 1/8" , 3/8", & 7/16" pilot point drill bits
- Torx T20
- LED & Switch Location Templates
- Step Drill
- Side Cut Pliers
- 90 Degree Small Drill
- Electrical Tape
- Fish Tape
- DeBurring Tool
- Drill Bit Stop

GENUINE PARTS

INSTALLATION PROCEDURE: PRE-INSTALLATION CAUTIONS / NOTES

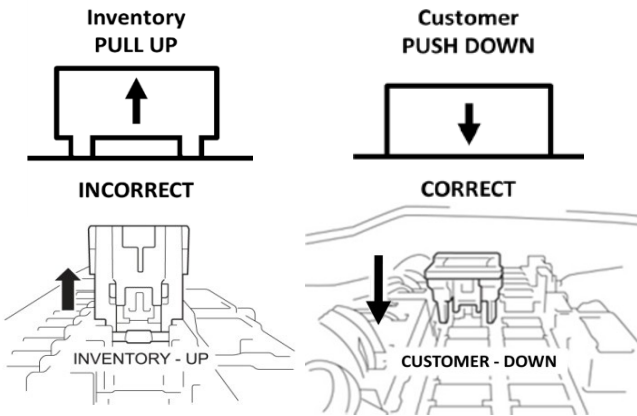
⚠ CAUTION

- Dealer installation recommended. Instructions may refer to Service Manual.
- Always perform seat reprogram procedure when battery terminal is removed (See Check Out)
- Power walk-in function will not operate normally if no initialization is performed.
- Please read this instruction carefully before installing this product for correct installation.
- If problem occurs during installation, contact Nissan dealer where product was purchased.

- 1) Apply parking brake
- 2) Confirm the vehicle is no longer in the default shipping state (Extended Storage Switch pulled up and BCM in Transit Mode). Failure to confirm the vehicle has been removed from this state will result in the loss of normal vehicle operation. The confirmation requires two checks:

2a) Locate the Extended Storage Switch in the cabin fuse block. Once located, check that it is in the "Customer" position. See below for reference.

- 2b) To remove Transit Mode is by doing as follows:
1. Remove fuse cover lid
 2. Push down shorting pin
 3. Ign On 2 times to ACCY position



To put Transit Mode back is by doing as follows:

1. Ign Off
2. Remove fuse cover lid
3. Pull up shorting pin
4. Assemble fuse cover lid
5. Ign On 2 times to ACCY position
6. Confirm transit mode condition on meter

NOTE:

Typical vehicle condition shown above. Switch is easily identifiable by the permanent, push-pull fuse holder. Actual position on the fuse block may vary, vehicle to vehicle.

⚠ CAUTION

- Make sure the ignition is "OFF" before changing the switch position.

Condition	Switch Position	Note
Vehicle is delivered to the dealer	Inventory Condition	
Technician performs PDI	Customer Delivery	Return switch to Inventory position after PDI.
Customer test drives the vehicle	Customer Delivery	Return switch to Inventory position after test drive.
Vehicle is being stored at the dealer	Inventory Condition	
Vehicle is sold and delivered to customer	Customer Delivery	

NOTE: E. S. S. is only an aid to improve battery life during vehicle storage at dealer. If E. S. S. fuse ever needs service after vehicle delivery, discard E. S. S. and install correct fuse in its place.

- 3) Turn ignition switch to "ON" position
- 4) Record the customer radio presets and other presets as required

Preset	1	2	3	4	5	6		

- 5) Put shift lever in "P" position for A/T and CVT or "1st" for M/T
- 6) Turn ignition switch to "OFF" position

GENUINE PARTS

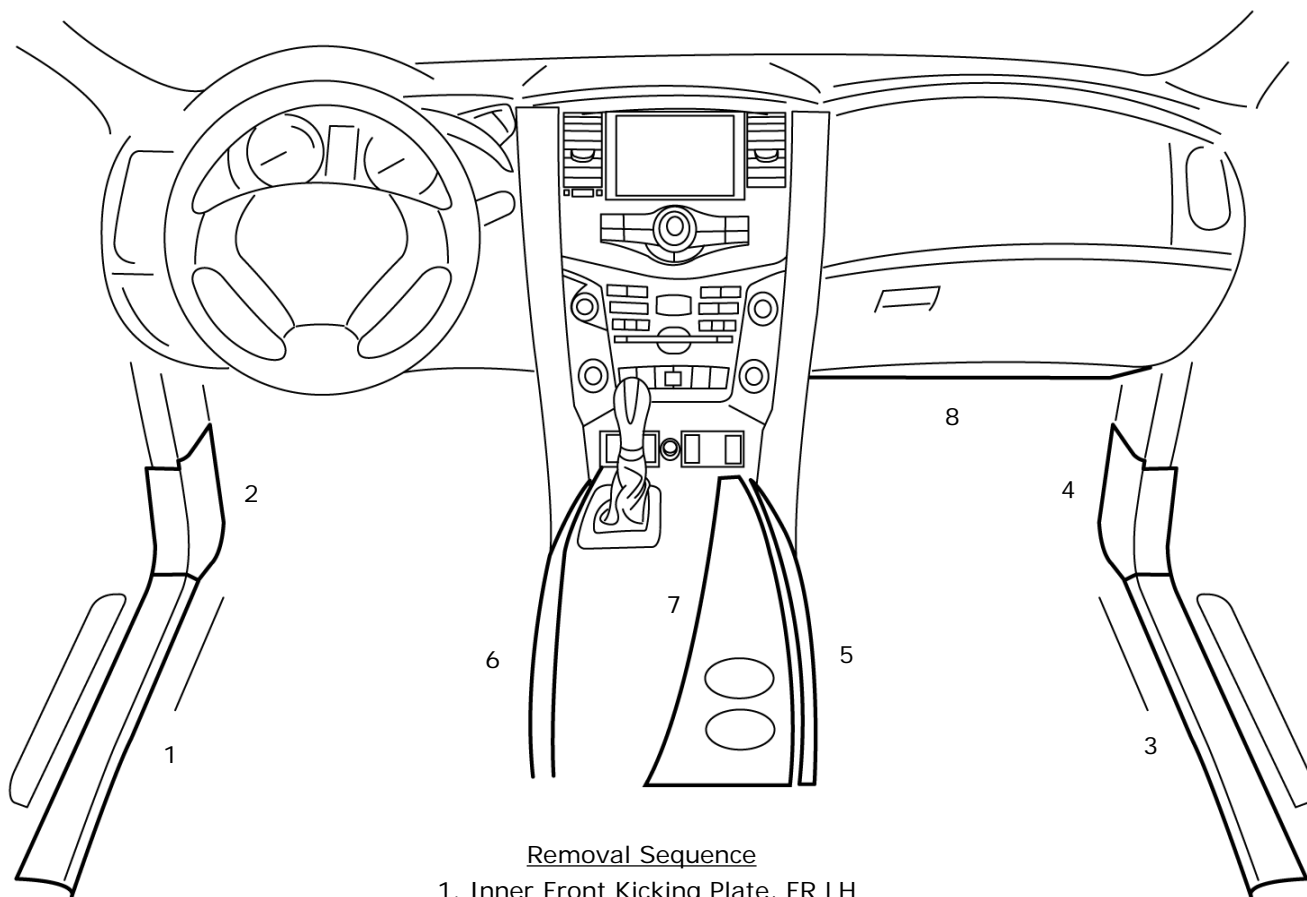
PRE-INSTALLATION CAUTION/NOTES:

- Installation may require special tools
- This part is to be installed within a surface temperature range of 65-100°F

CAUTION

- This accessory must only be installed as specified in these instructions.
- Ensure at all times that parts are securely fitted and will not compromise the safe function of vehicle systems

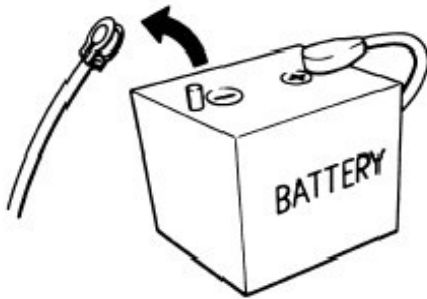
1a) Remove the following vehicle parts in the sequence shown below. Store these re-usable parts in a safe and protected manner.



Removal Sequence

1. Inner Front Kicking Plate, FR LH
2. Dash Side Finisher, FR LH
3. Inner Front Kicking Plate, FR RH
4. Dash Side Finisher, FR RH
5. Center Console Side Finisher, RH
6. Center Console Side Finisher, LH
7. Center Console Upper Finisher
8. Instrument Lower Cover, RH

PRE-INSTALLATION CAUTION/NOTES:



- a) Lower both the driver and passenger windows to prevent damage.
 - b) Move front seat all the way to the rear
- 2) Disconnect the negative battery terminal.

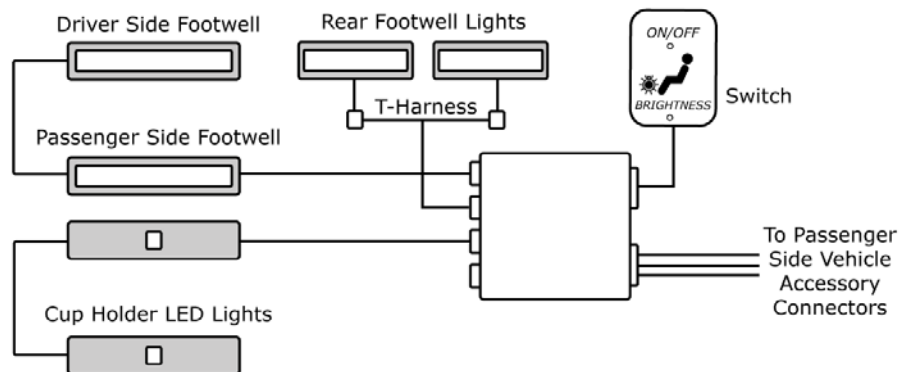
Order of Installation

- a. Interior preparation - remove panels.
- b. Install Front Foot well light Passenger's side.
- c. Install - Vehicle interface.
- d. Install Front Foot well light Driver's side.
- e. Prepare Rear Seat lower panels
- f. Install Rear Foot well Light Driver's side.
- f. Install Rear Foot well Light Passenger Side.
- g. Install Switch
- h. Install - Cup Holder light
- i. Install ECU
- j. Reinstall - Panels.
- k. System check.

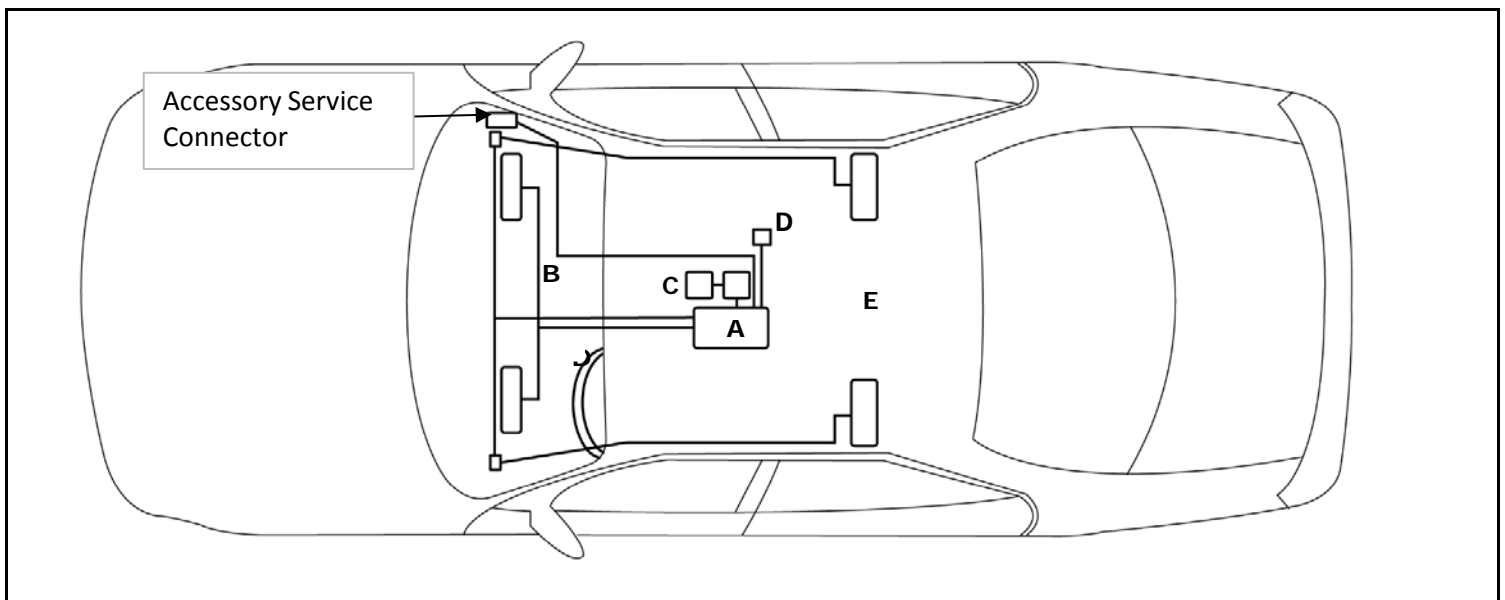
GENUINE PARTS

INSTALLATION OVERVIEW :

System Block Diagram



Accessory Service Connector



- A) Controller Module
- B) Front Foot Well Lights
- C) Cup Holder Lights
- D) Switch
- E) Rear Foot Well Lights

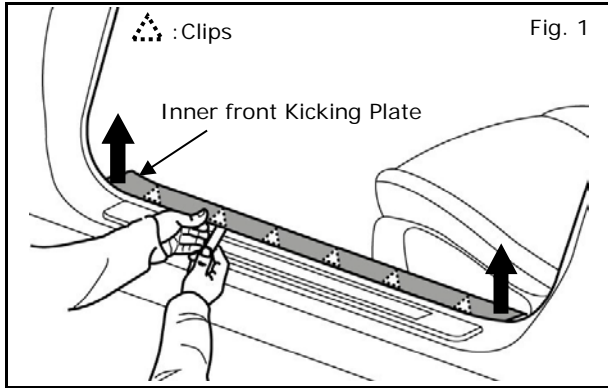
CRITICAL STEPS:

The following steps are critical and must be performed **EXACTLY** as specified to ensure proper installation:

- Location of the lights must be followed exactly as described in this instruction.
- Posi-Tap™ instructions must be specifically followed as described.

GENUINE PARTS

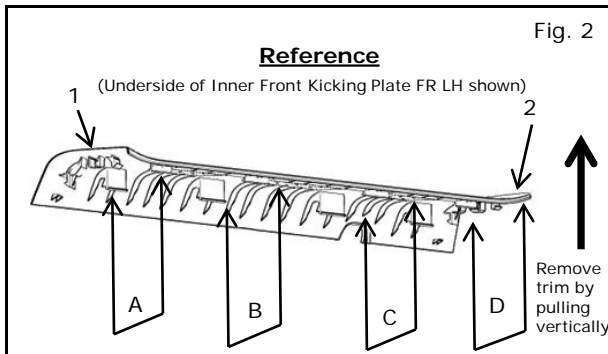
VEHICLE PREPARATION:



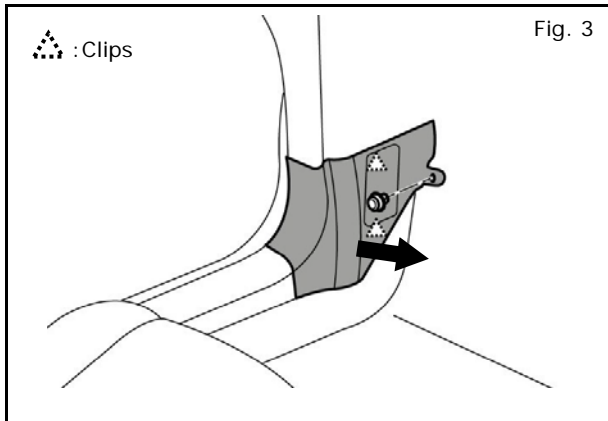
- 1) Use trim stick to carefully pry off inner front kicking plate FR LH (1) at the clip locations along bottom door seal. Remove inner front kicking plate by pulling vertically as shown in Fig. 1.

NOTE:

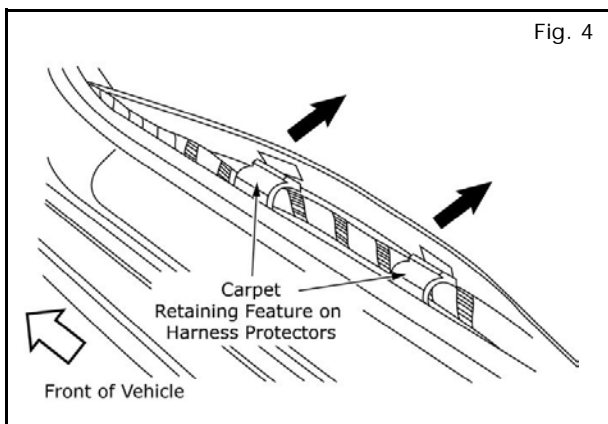
Be careful not to damage clips on plate. See Fig. 1 for reference.



- 2) Clips are located at locations labeled; 1, 2, and A thru D as shown in Fig. 2. Note locations and orientations to avoid damage.



- 3) Remove fastener clip from dash side finisher FR LH (2) located on front dash panel by hand. Pry off panel and Remove part horizontally toward center of vehicle as shown in Fig. 3.



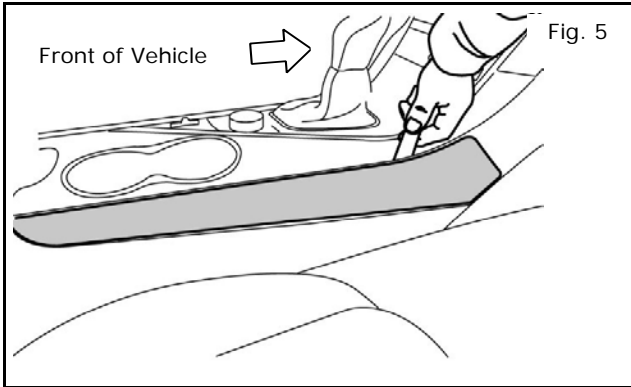
- 4) Lift Carpet from clips on harness protectors and pull back carpet edge inside driver side door sill as shown in Fig. 4.

NOTE:

- Repeat steps 1-4 on passenger side.

GENUINE PARTS

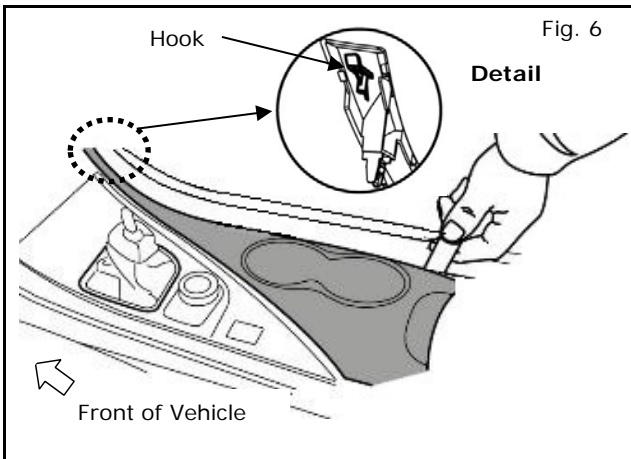
INSTALLATION PROCEDURE:



- 5) Remove center console side finisher RH (5) off right (passenger) side of the center console using Trim Stick as shown in Fig. 5.

NOTE:

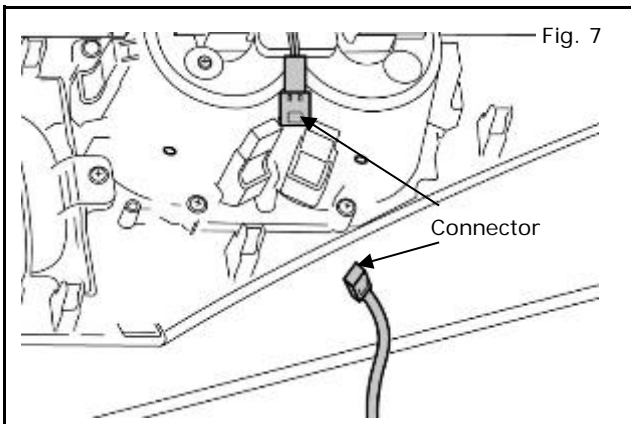
Repeat the same for the Center console side finisher LH (6) off the left (driver) side of the center console.



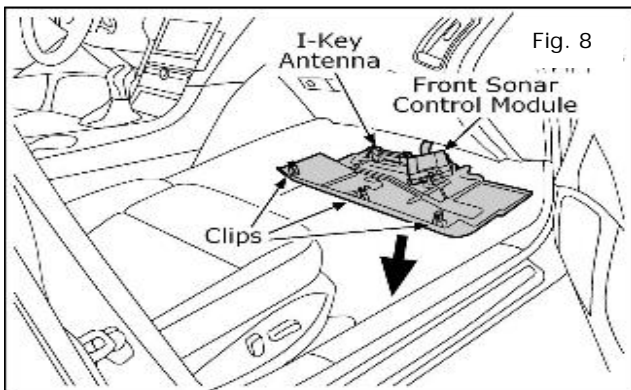
- 6) Remove Console Upper Finisher (7)
 - a) Begin at rear of finisher (in front of and to passenger side) using nylon pry tool to release clips as shown in Fig. 6.
 - b) Lift finisher upward, holding at both rear corners to release clips without twisting.
 - c) When all side clips are released, pull finisher toward rear of console to remove.

NOTE:

Take care not to pull up on the top front clip (see "Detail A" in Fig. 6).



- 7) Turn Console Upper Finisher upside down & Carefully remove connector for cupholder heater, if equipped (as shown in Fig. 7). Remove cup holder to safe location.



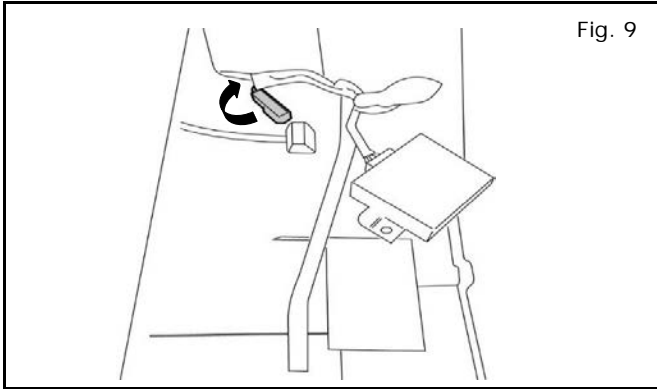
- 8) Carefully pry down Instrument Lower Cover RH (8) from underneath glovebox using Pry Tool from the top of the clip locations shown in Fig. 8.

NOTE:

DO NOT UNPLUG THE CONNECTORS FROM THE I- KEY ANTENNA OR THE FRONT SONAR CONTROLLER. The clip that holds the wire harness to the Instrument Lower Cover can be disconnected to allow room to work.

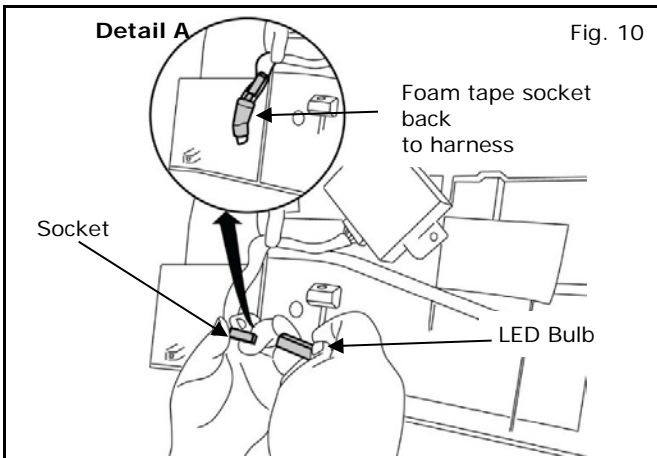
GENUINE PARTS

INSTALLATION PROCEDURE:



NOTE: For Q50, Skip to Step 11.

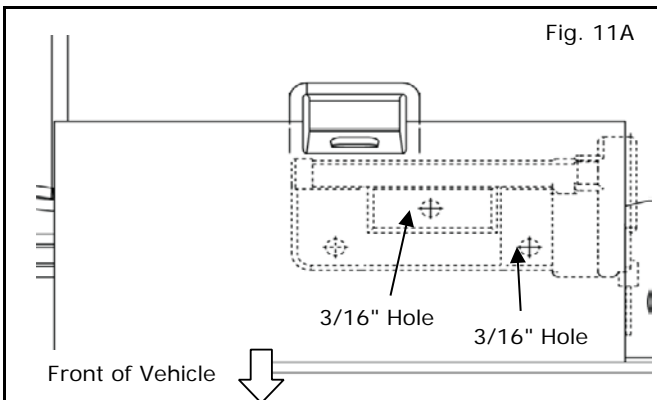
- 9) Rotate existing footwell light 1/4 turn to remove LED (if equipped) from instrument lower cover as shown in Fig. 9.



- 10) a) Remove LED from Socket.
b) Foam tape LED socket back to harness as shown in Fig. 10 Detail A.

⚠ CAUTION

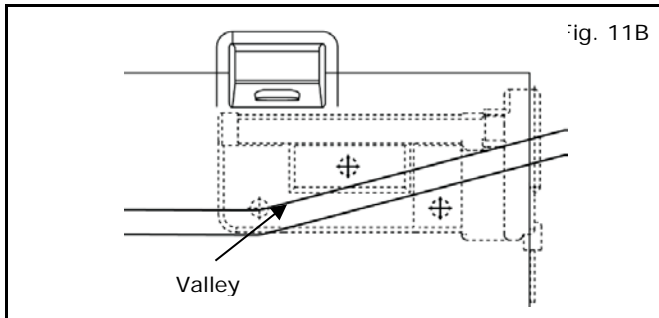
- When drilling, be extremely careful of modules and harnesses on back of panel
- Always use drill bit stop to control drilling depth to 1/4"



- 11) Attach passenger side lamp to Instrument Lower Cover RH using drill (hole location) template.
a) Tape mounting area to protect panel.
b) Place template on Instrument Lower Cover (as shown in Fig. 11A), drill 1/8" pilot hole.

GENUINE PARTS

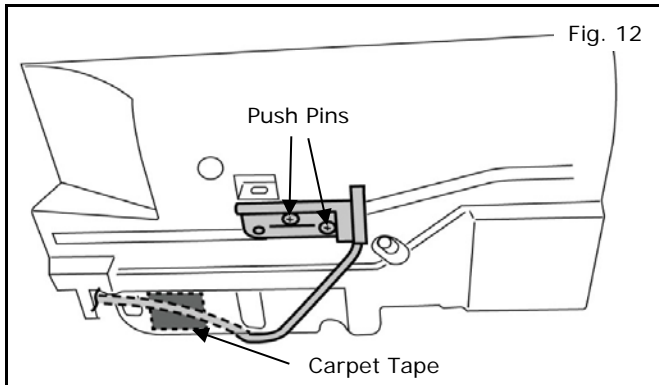
INSTALLATION PROCEDURE:



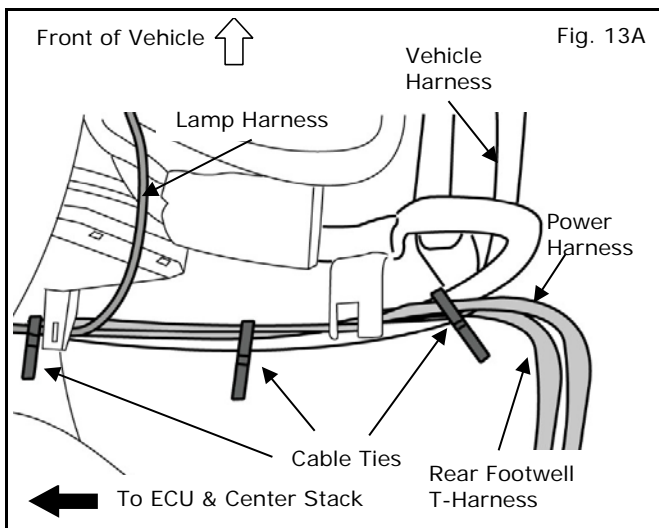
- c) Drill two holes on the either sides of the valley shown in Fig. 11B. Finish hole with 3/16" (8mm) drill bit & deburr.

NOTE:

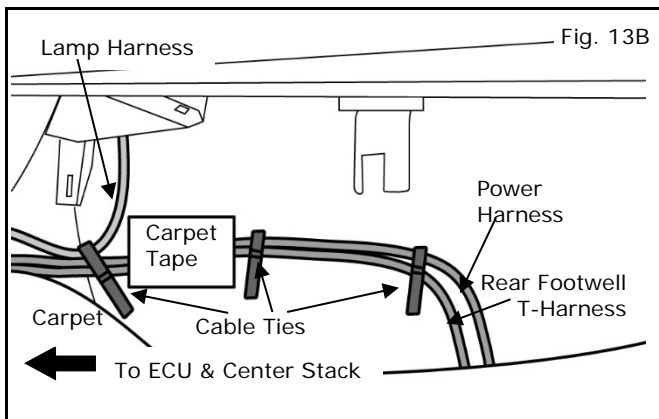
Position drill template as shown in Fig. 11B with "valley" in glove box between drill holes.



- 12) a) Carefully attach lamp with two push pins.
- b) Route harness back behind panel and secure lamp harness to panel using 1 piece of carpet tape (provided in kit) to keep harness from sagging. Route up toward center stack as shown in Fig. 12.
- c) Reinstall Instrument Lower Cover and route lamp wires down to install behind carpet.



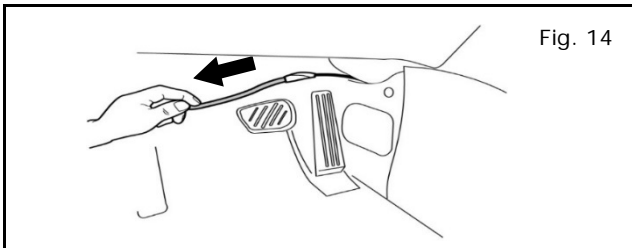
- 13) Route interface harnesses.
- a) Route front foot well lamp harness, power harness (from accessory connector) and Rear T-harness (long leg) from passenger side up to vehicle harness passing through center stack and console, near to the ECU.
- b) Using supplied cable ties, secure to vehicle harness (if present) using Cable ties as shown in Fig. 13A under the Instrument Lower cover.



- c) If Vehicle Harness is not present, route harnesses under carpet. Secure using cable ties and carpet tape as shown in Fig. 13B

GENUINE PARTS

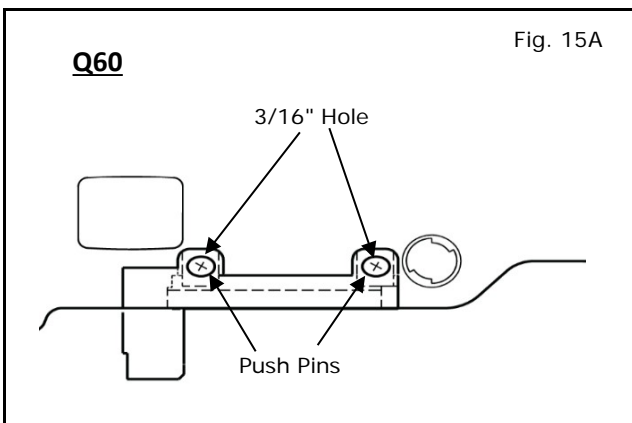
INSTALLATION PROCEDURE:



- 14) Routing driver side lamp wire and rear foot well light T-Harness.
- Use large tie strap to feed front footwell lamp harness and rear footwell T-harness (one short leg) from passenger side to driver side through center stack.

⚠ CAUTION

- When drilling, be extremely careful of modules and harnesses on back of panel
- Always use drill bit stop to control drilling depth to 1/4"

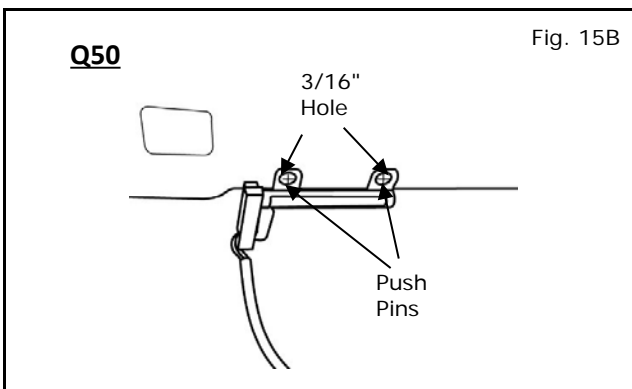


- 15) Mount lamp on driver lower instrument panel.

For Q60:

- Remove LED Light from Panel and wrap socket in foam (if equipped)
- Tape mounting area (shown in Fig. 15A) to protect panel.
- Using Driver Footwell Lamp Hole location template A, mark and drill 1/8" pilot hole.
- Finish hole with 3/16" (8mm) drill bit and deburr.
- Remove tape placed in Step b) before attaching footwell lamp to Instrument Lower Cover.
- Use two push-pin fasteners supplied in kit to secure lamp to Instrument Lower Cover.

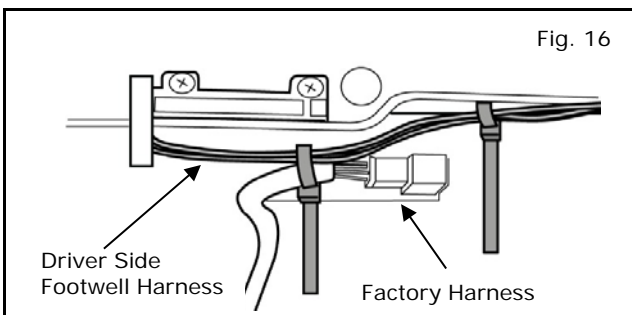
NOTE: Hold harness behind pane away from panel when drilling



For Q50:

- Tape mounting area (shown in Fig. 15B) to protect panel.
- Using Driver Footwell Lamp Hole location template B, mark and drill 1/8" pilot hole.
- Finish hole with 3/16" (8mm) drill bit and deburr.
- Remove tape placed in Step a) before attaching footwell lamp to Instrument Lower Cover.
- Use two push-pin fasteners supplied in kit to secure lamp to Instrument Lower Cover.

NOTE: Hold harness behind pane away from panel when drilling

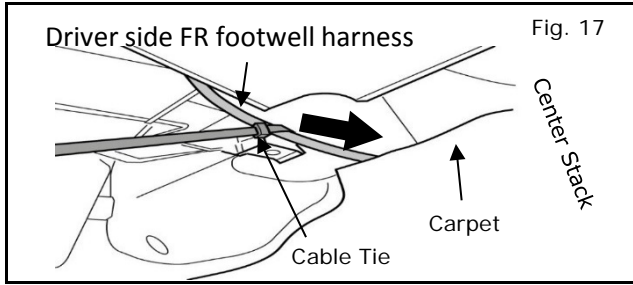


- 16) Routing driver side lamp wire.

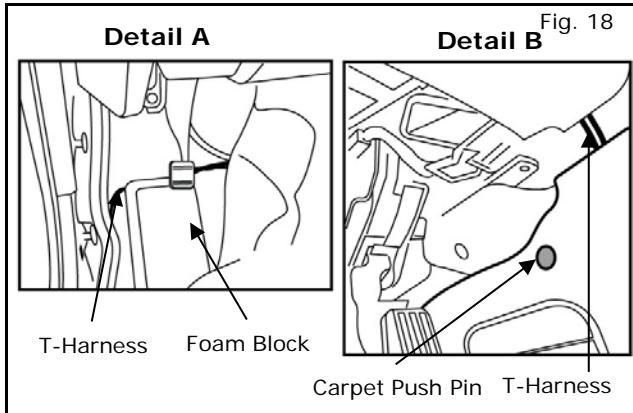
- Cable tie Footwell (accent) lamp harness to factory harness directly above interior light in 3 places as shown Figs. 16 and 17.
- Remove push pin holding carpet to center stack and pull back carpeting.

GENUINE PARTS

INSTALLATION PROCEDURE:

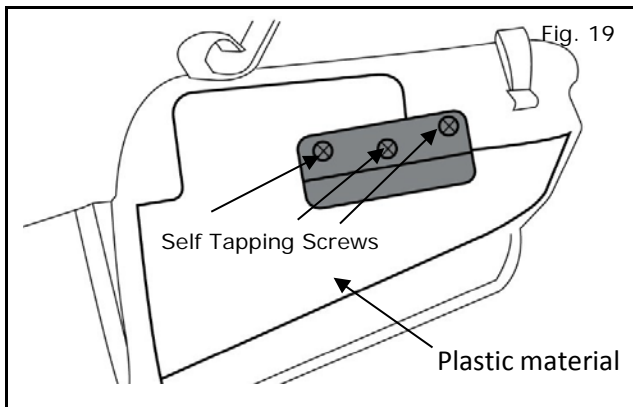


- c) Route footwell harness under carpet to center stack as shown in Fig. 17.



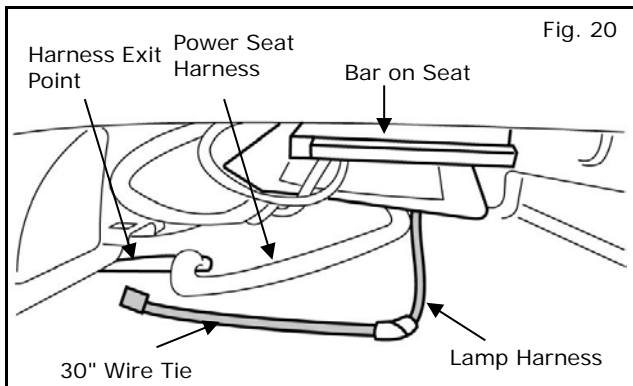
- 17) Routing Rear T-harness along with Driver side Footwell Harness

- a) Route Rear footwell T-harness from Step 14 under the carpet, below accelerator, brake paddle and foam block under parking brake from Center Stack (along Driver side footwell harness) to Dash Side Finisher, as shown in Fig. 18 Detail A.
- b) Reinstall Carpet and Push pin as shown in Fig. 18, Detail B.



- 18) Rear footwell light installation. Begin on driver side of vehicle.

- a) Prepare rear seats for rear footwell lighting installation: Connect battery to move seats.
- b) Remove headrest (if necessary) and move seat back forward and seat fully forward and up to gain room to install rear footwell lights. Disconnect battery.
- c) Unhook straps holding seat back carpet and pull up the carpet.
- d) Find center of front seat flap and mark. Use back plastic plate to align with the mark on the flap and tape to plastic. Mark 2 holes on the plastic cover & 1 on carpet with marker. Place back plate as shown in Fig. 19.
- e) Drill 2 holes carefully into the plastic material only. **Use drill bit stop to control drilling depth to 1/4".**
- f) Use an awl / punch to put holes in seat back material in all 3 hole positions. Place self tapping T20 screws to attach footwell lights to back plate on back side of material.



- 19) Route driver side rear footwell lamp harness.

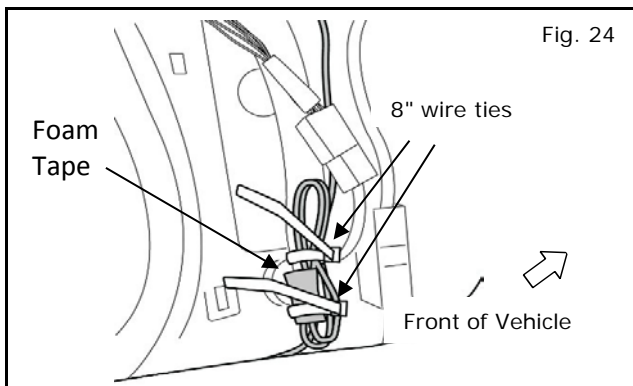
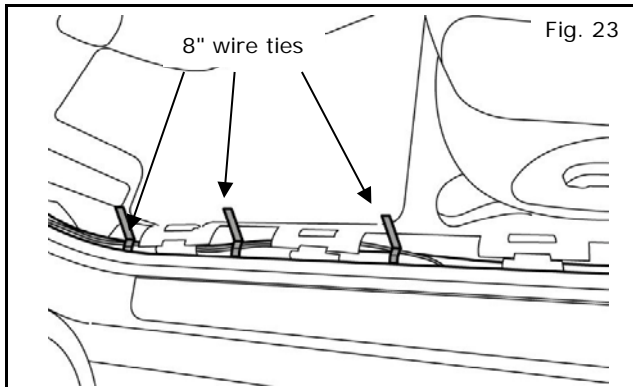
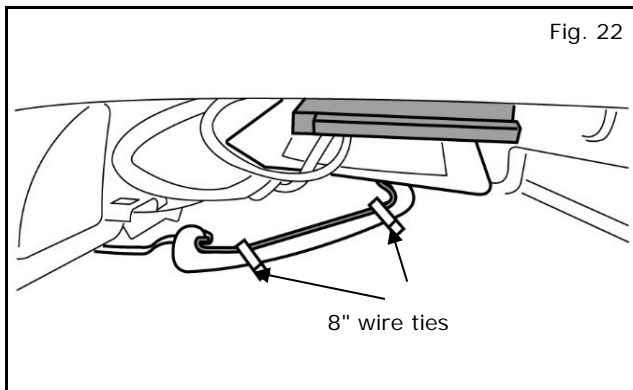
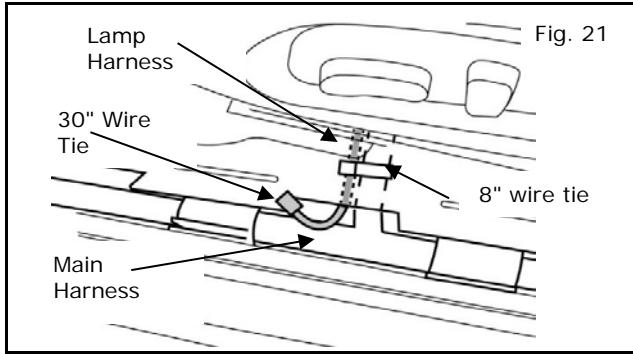
- a) Use 30" wire tie to feed harness under carpet to driver's side sill as shown in Fig. 20

NOTE:

Ensure harness is routed under bar.

GENUINE PARTS

INSTALLATION PROCEDURE:



20) Feed harness using 30" wire tie along main harness in sill up to the inner front kicking plate FR LH area, as shown in Fig. 21.

- Using 30" wire tie, carefully pass the rear lamp wire harness along seat harness and main harness ensuring the harness is not strained while keep the wire tie connected for further routing.
- Tie Strap rear lamp harness to seat harness & main harness using 8" wire ties as shown in Figs. 21 & 22.

NOTE:

It is best not to tighten tie strap until the rear foot well lamp harness is set up with seats moved rearward.

21) Feeding the Lamp wire along dash side finisher area and Tightening Tie straps

- Route the 30" wire tie routing the lamp wire along the Inner front kicking plate FR LH area as shown in Fig. 23 to dash side finisher near the T-harness.
- Connect Battery & move seats fully rearward ensuring rear footwell harness is not strained.
- Start tightening tie straps from rear footwell lamp to dash side finisher approximately every 200mm, as shown in Figs. 21, 22 & 23.
- Disconnect battery.

22) Connecting rear footwell harness to T-harness.

- Wrap T-Harness connector with foam tape and then connect to rear foot well lamp harness connector.
- Bundle any excess wire from harnesses and tie strap to electrical harness near dash side finisher using 8" tie strap as shown in Fig. 24.

NOTE:

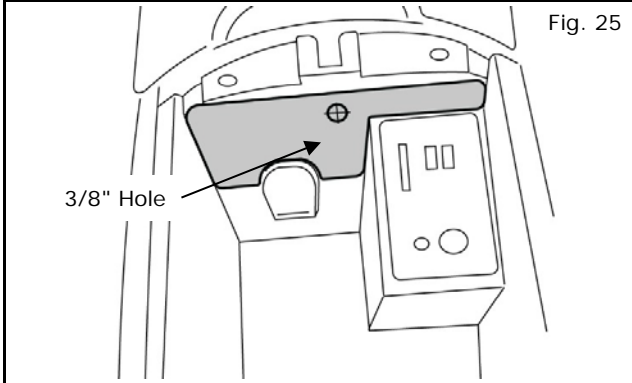
- Repeat steps 18-22 on passenger side.**

GENUINE PARTS

INSTALLATION PROCEDURE:

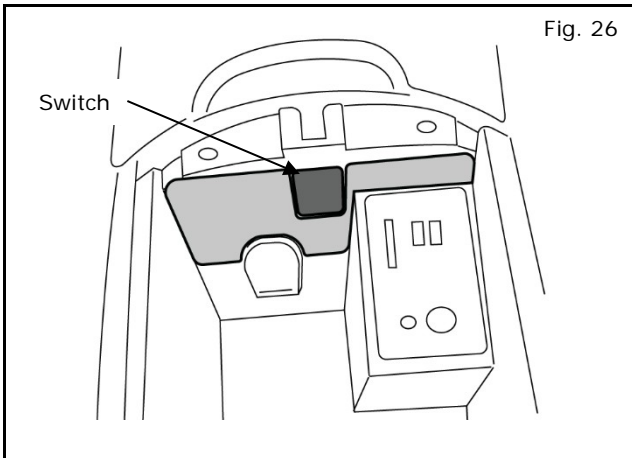
CAUTION

- When drilling, be extremely careful of modules and harnesses on back of panel
- Always use drill bit stop to control drilling depth to 1/4"



23) Drilling hole for switch in the front side of the bin as shown in Fig. 25 using the supplied drilling (Switch Installation) template.

- a) Measure and mark hole using awl.
- b) Drill 3/8" hole.
- c) Deburr hole and clear debris.



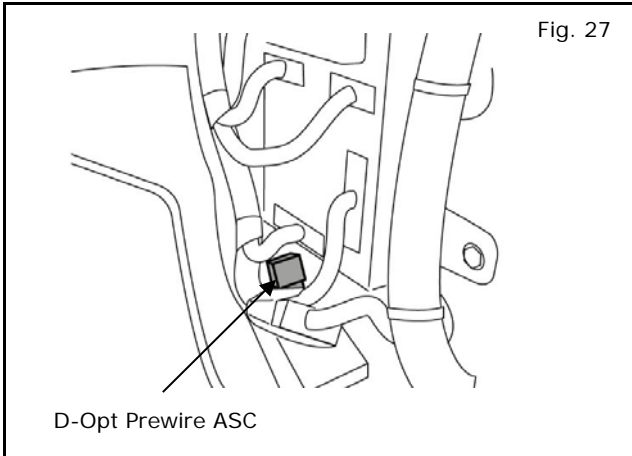
24) Install switch.

- a) Peel adhesive backing from switch.
- b) Insert harness connector in the drilled hole and route harness through hole.
- c) Align top of switch parallel to recess line as shown in Fig. 26.
- d) Contact switch adhesive to console.
- e) Press firmly and hold. **Apply 15 lbs. pressure for 20 seconds.**
- f) Route harness through the bin into the center console to the driver side where control module will be mounted.

GENUINE PARTS

INSTALLATION PROCEDURE:

Fig. 27



25) Locating accessory service connector.

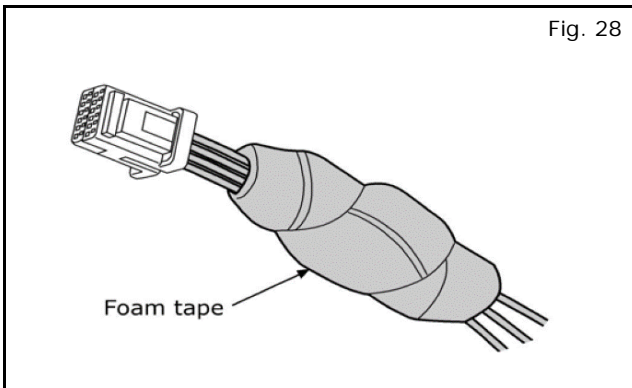
- a) Locate passenger side D-Opt Connector plug below glovebox on right side of footwell, as shown in Fig. 27.

NOTE:

If there is not an Accessory Service Connector present in the passenger side connector, order from service dept.

REFERENCE PART NUMBER 999Q9 AY001.

Fig. 28



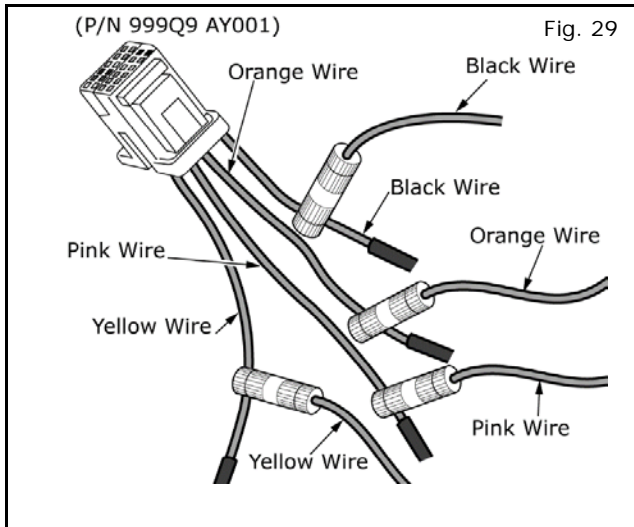
- b) Positap Power Harness to the Accessory Service Connector. Remove any foam tape present before adding any positaps as shown in Fig. 28. See posi-tap instructions on pages 14-17.

NOTE:

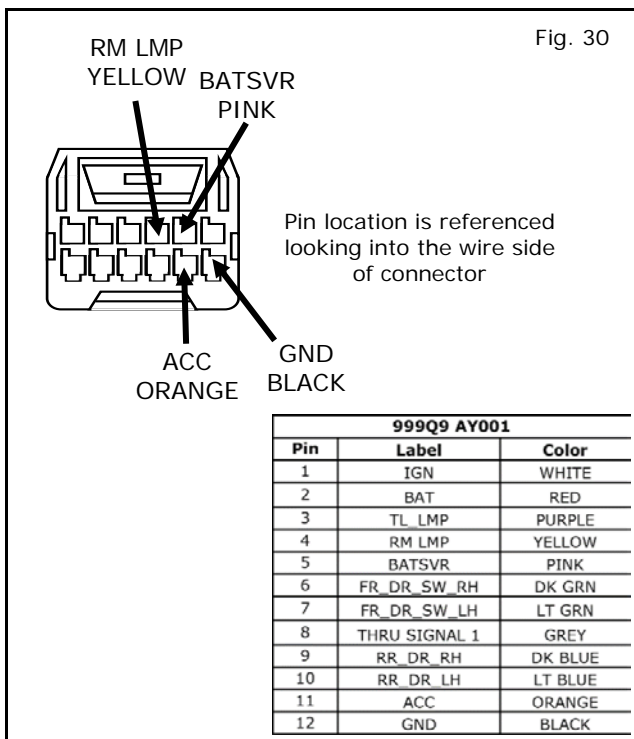
1. A previously installed accessory may be present. If so, carefully remove the accessory connector harness from the accessory connector plug before posi-tapping.
2. It is recommended that all posi-tapping be completed before reattaching the accessory connector harness to the plug.
3. If there is not a previously installed accessory, remove the dummy plug in connector.
4. Wrap the harness side of the connector in foam tape as to allow the accessory connector to be connected and disconnected.

GENUINE PARTS

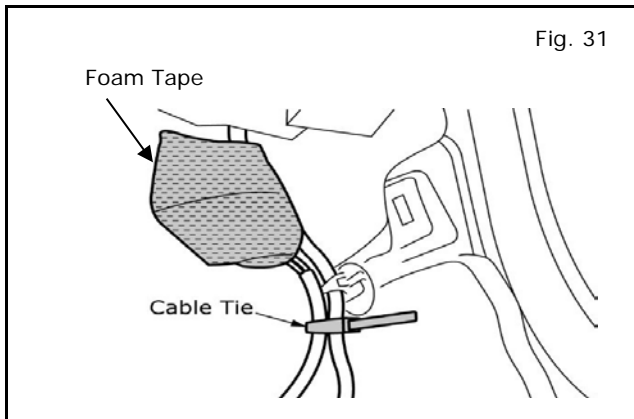
INSTALLATION PROCEDURE:



- 26) Connect lighting power harness to accessory connector harness using posi-taps shown in Fig. 29.
- Connect **BLACK** wire from power harness to **BLACK (GND)** wire on accessory connector harness.
 - Connect **ORANGE** wire from power harness to **ORANGE (ACC)** wire on accessory connector harness.
 - Connect **PINK** wire from power harness to **PINK (BATT_SAVER)** wire on accessory connector harness.
 - Connect **YELLOW** wire from power harness to **YELLOW (ROOM_LAMP)** wire on accessory connector harness.
 - Tape back **BROWN** wire from power harness to power harness - **not used**



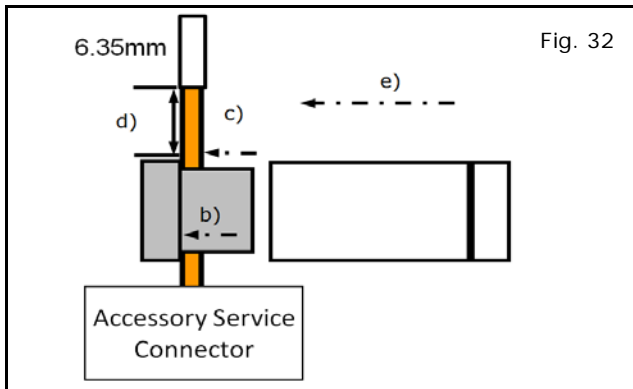
- 27) Accessory service connector pin out reference is shown in Fig. 30.



- 28) After posi-tap, wrap bundle in foam tape and 8" wire (cable) tie to harness.

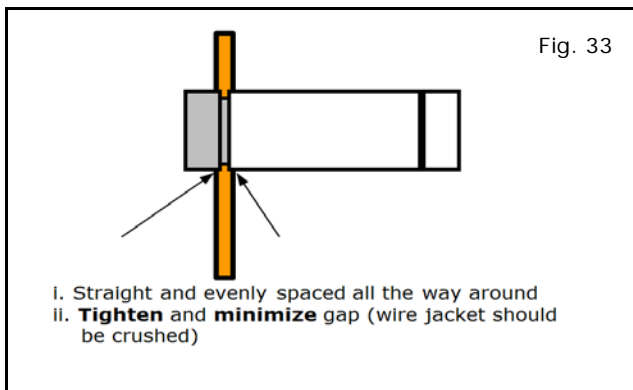
GENUINE PARTS

INSTALLATION PROCEDURE:



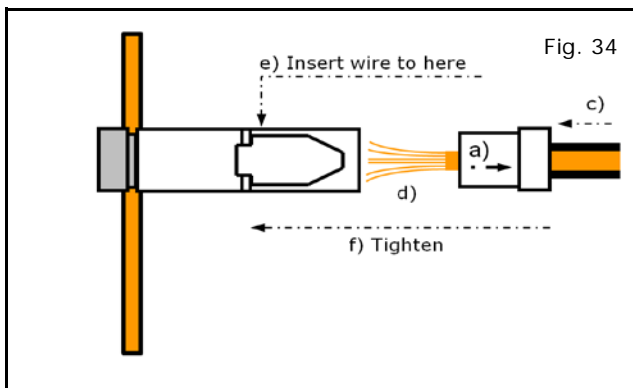
29) Posi-tapping an Accessory service wire (Fig. 32)

- Identify and confirm correct wire in the Accessory Service Connector to be tapped.
- Remove cap (slot side) from tap body.
- Slide cap around single accessory wire.
- Position cap $\geq 6.35\text{mm}$ (0.25in) away from the heat shrink end of Accessory Service Connector (measurement for first posi-tap installed on the circuit).
- Tighten the tap **TIGHT** with finger pressure.
- Tighten by another quarter turn.



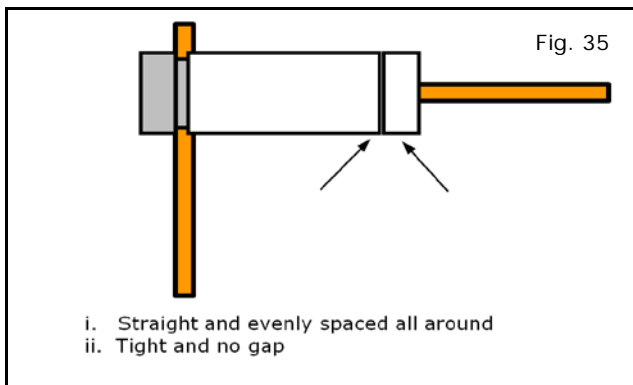
30) Inspecting the tap for correct installation (Fig. 33).

- Pull on the wire lightly to ensure connection.
- Inspect the tap to ensure correct installation.
- Test the signal to ensure that it is working properly.



31) Tap accessory wire (Fig. 34).

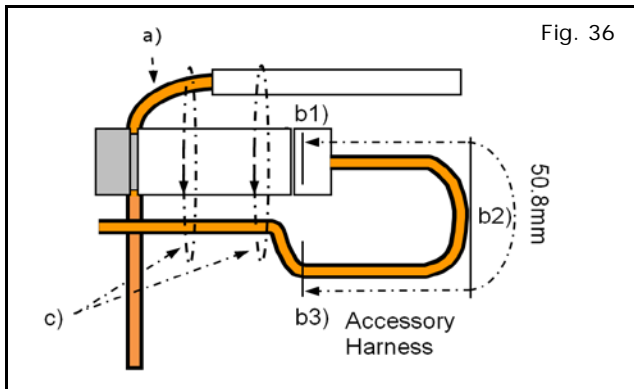
- Remove tap (non-pierce) side from tap.
- Remove the protective stub from the wire.
- Insert wire through the non-pierce side opening.
- Spread the individual strands into fan shape.
- Insert wire into the tap body and ensure that it is all the way in.
- Tighten the tap **TIGHT** with finger pressure.
- Tighten by another quarter turn.



32) Confirm the tapped accessory wire.

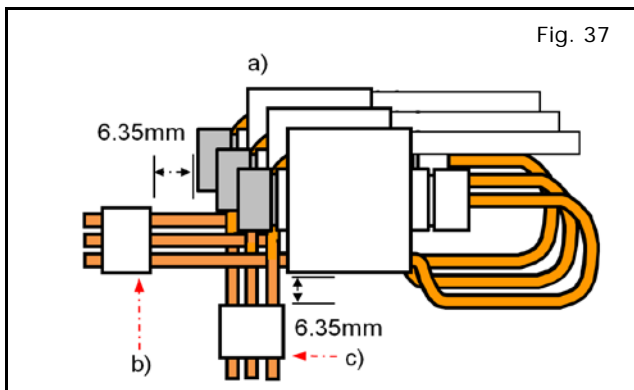
- Pull on the wire lightly to ensure connection.
- Inspect the tap to ensure correct installation as shown in Fig. 35.

INSTALLATION PROCEDURE:



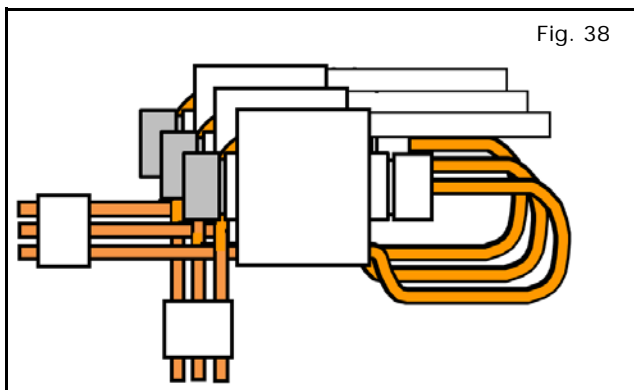
33) Forming strain relief loop - required (Fig. 36).

- a) Gently bend end of pierced wire (where it exits cap) down towards body of posi-tap.
- b) On tapped side wire; starting at point b1), measure 50mm to point b3). Make first bend of loop b2), half measured distance - 25mm, and up toward body of posi-tap, make second bend of loop b3).
- c) Secure pierced wire on heat shrink side and tapped wire to body of tap with electrical tape (≥ 2 revolutions).



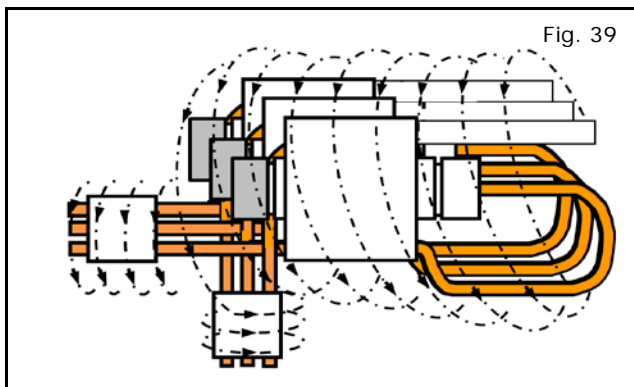
34) Securing multiple accessory taps (Fig. 37).

- a) Tapped accessories (wires already secured to tap bodies) are stacked in a stagger on top of each other as shown in Fig a).
- b) Secure tapped wires on connector side of posi-taps to each other with electrical tape (≥ 2 revolutions) at a distance of ≥ 6.35 mm as shown in Fig b).
- c) Pierced wires of posi-taps are secured to each other with electrical tape (≥ 2 revolutions) at a distance of ≥ 6.35 mm (0.25in) as shown in Fig c).



35) Securing multiple accessory taps (Fig. 38).

- a) Make sure the accessory taps have been wrapped appropriately as detailed previously and as shown.



36) Securing multiple accessory taps

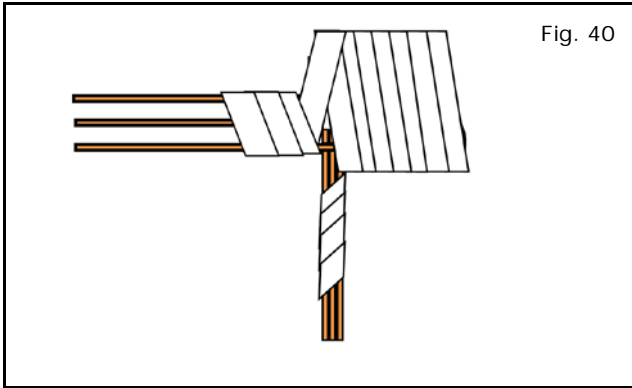
- a) Starting at heat shrink; firmly wrap posi-tap bundle with electrical tape or non-adhesive wire harness tape, making sure to overlap previous revolution in the direction shown in Fig. 39.

Note:

If using non adhesive tape, secure at the of wrap with electrical tape ≥ 2 revolutions.

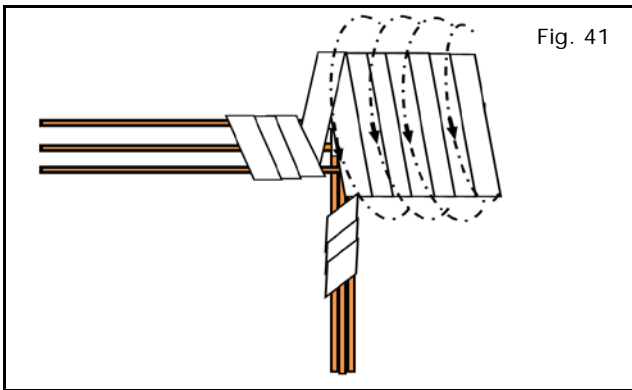
GENUINE PARTS

INSTALLATION PROCEDURE:



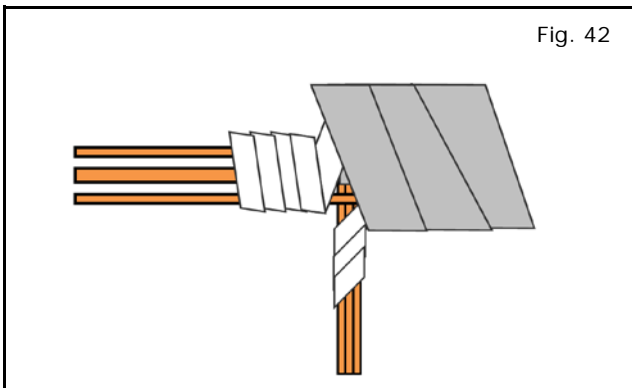
37) Securing multiple accessory taps

- a) Make sure the finished wrap looks similar to Fig. 40.



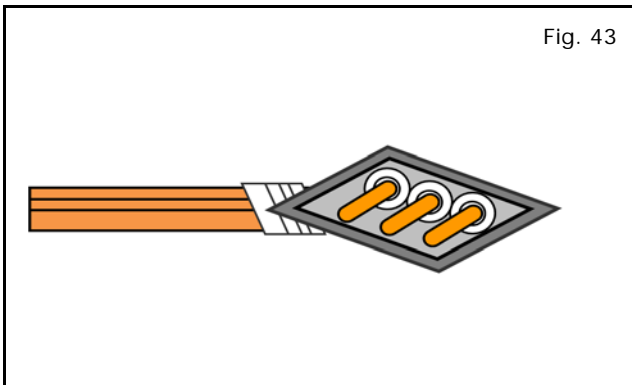
38) Foam wrap for posi-tap bundle (foam strips)

- a) Wrap the posi-tap bundle with foam tape, following a pattern similar to the electrical tape, making the best use of foam strips provided, as directed in Fig. 41.



39) Finished foam wrap for bundle (strips-top view)

- a) Make sure the finished wrap looks similar to Fig. 42.

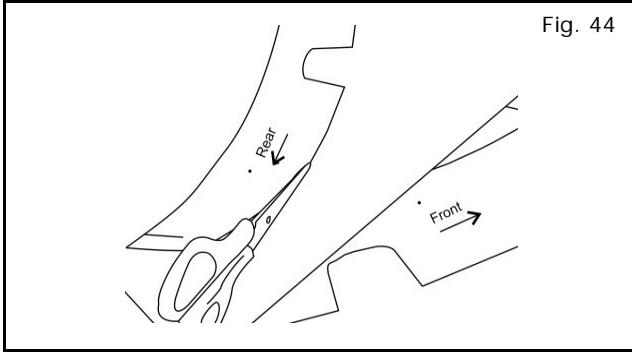


40) Finished foam wrap for bundle (strips-side view)

- a) Make sure the finished wrap looks similar to what is shown in Fig. 43.

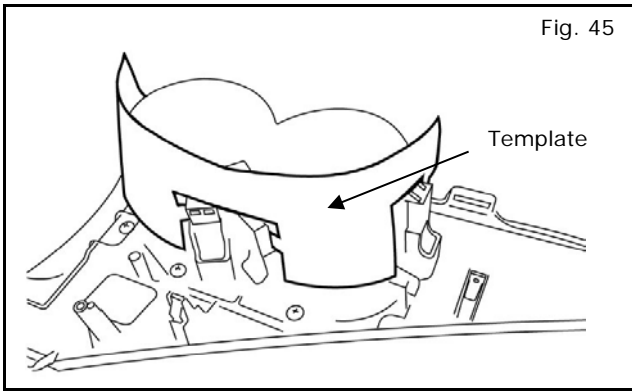
GENUINE PARTS

INSTALLATION PROCEDURE:



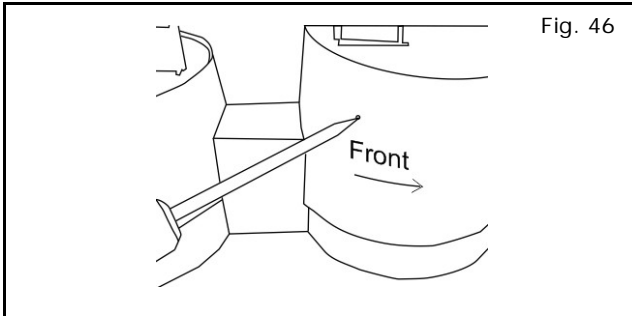
41) Cup holder light mounting

- Print Cup Holder Lamp Location Hole template for Cup holder hole drill locations.
- Measure 1" scale box to confirm size.
- If scale box is too large, reduce image % (select No Scaling when printing)
- Use scissors to cut out each template.
- Cut line at each end to form slit.



42) Align Cup Holder Lamp location hole template collars.

- Align template collar along cup holder and place in position as shown in Fig. 45.

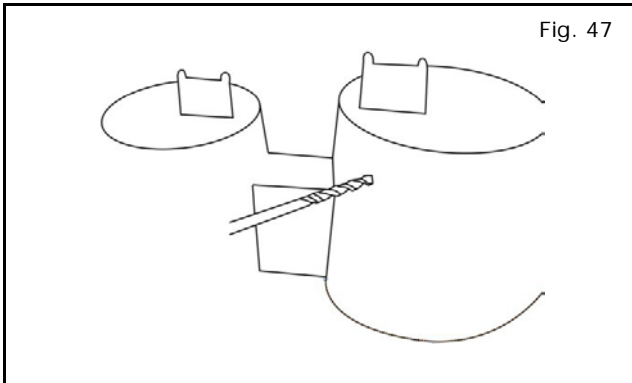


43) Mark cup holder hole locations (Fig. 46).

- Use an awl or center punch to mark each hole location.

CAUTION

- When drilling, be extremely careful of modules on back of panel
- Always use drill bit stop to control drilling depth to 1/4"

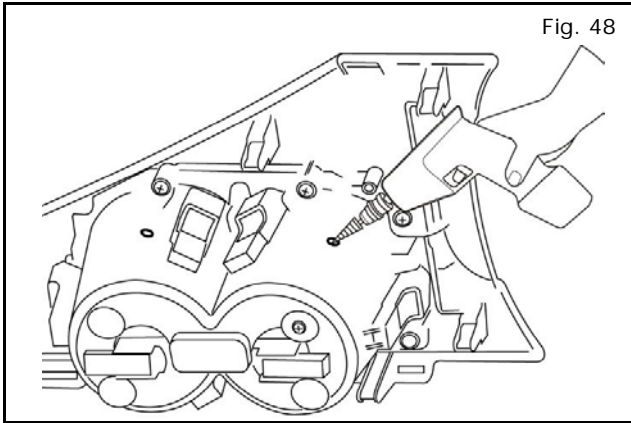


44) Mark and drill pilot hole (Fig. 47).

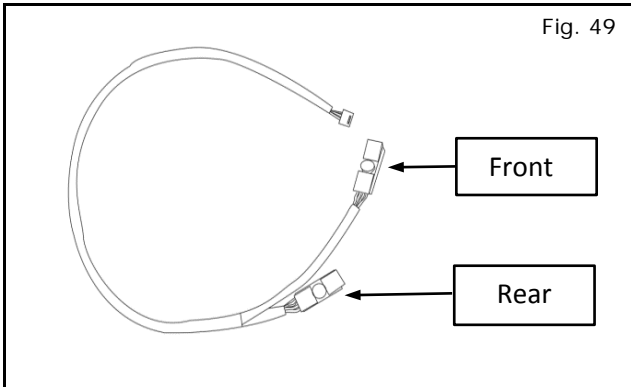
- Remove paper template collars.
- Drill 1/8" pilot hole for each location.

GENUINE PARTS

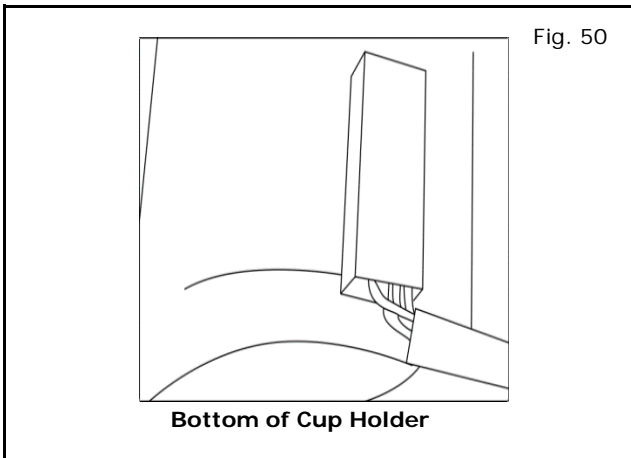
INSTALLATION PROCEDURE:



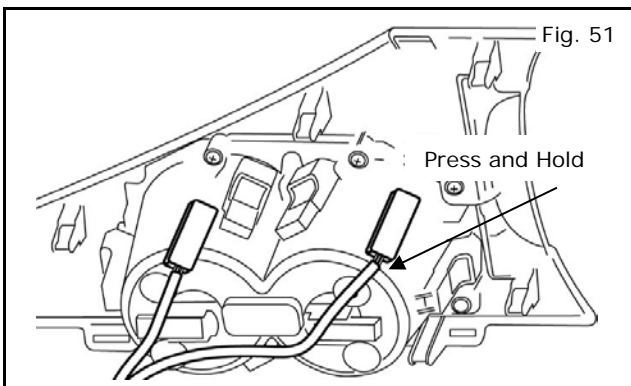
- 45) Drill hole for lamp lens opening.
- Drill $7/16$ " hole for each location using step drill, as shown in Fig. 48.
 - Inspect inner wall of cup holders for burr.
 - Carefully remove burr if necessary.



- 46) Prepare cup holder for LED lamp installation.
- Remove dust/debris from drilling steps.
 - Use Alcohol wipe to clean off area around hole.



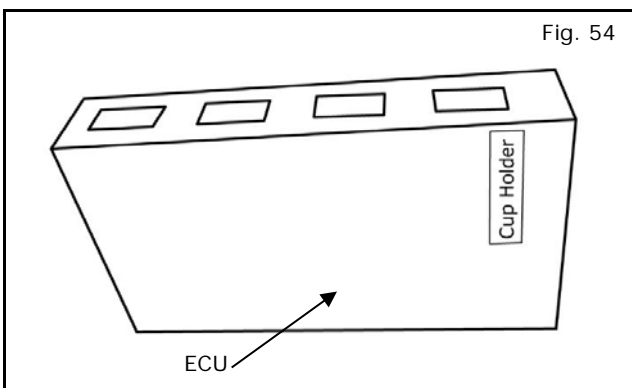
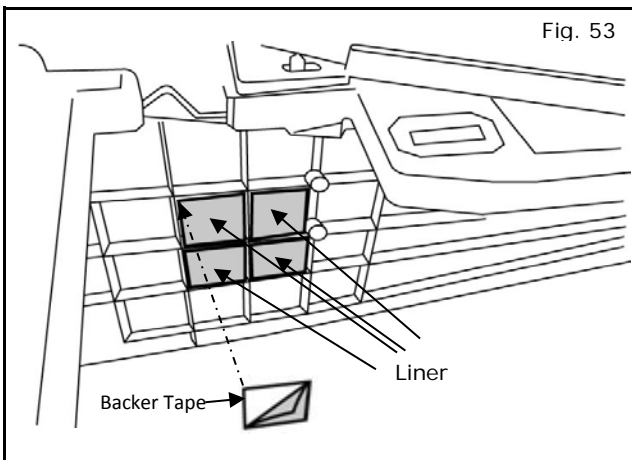
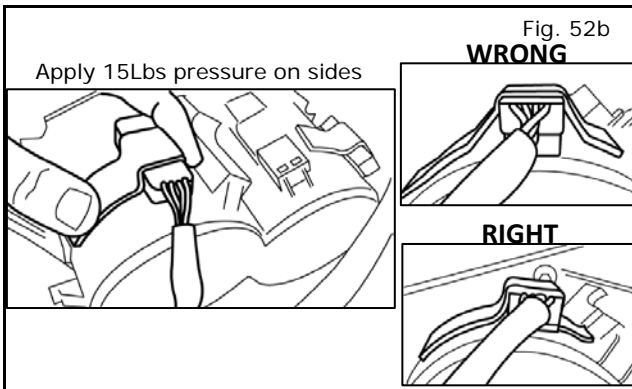
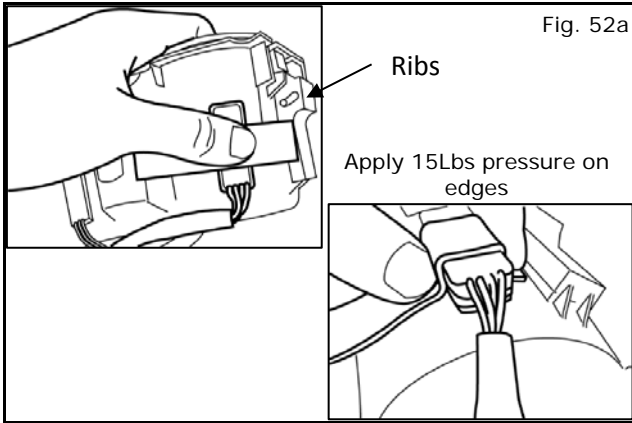
- 47) Cup holder lamp orientation (Fig. 50).
- Peel adhesive tabs from front lamp.
 - Align lamp with cup holder, with harness exiting lamp toward bottom of cup holder.
 - Insert lamp lens in hole and contact adhesive pad to side of cup holder.
 - Inspect alignment and firmly press lamp against cup holder to bond. **(15Lbs. Pressure for 20 sec.)**
 - Repeat steps a) through d) for rear lamp.



- 48) Installing cup holder lamps.
- Press front lamp firmly and hold. **Apply 15 lbs. pressure for 20 seconds**, as directed in Fig. 51.
 - Repeat for rear lamp.

GENUINE PARTS

INSTALLATION PROCEDURE:



49) Installing Secondary Tape on Cup Holder Lamps

- Peel off adhesive and non-adhesive side papers from tape.
- Align the tape such that it does not touch the ribs on right hand side.
- Keeping proper alignment, place tape at center of the rear side of cup holder lamps as shown in Fig. 52a.
- Wrap the tape along sides of the lamp. Press firmly & **apply even 15Lbs pressure on either edges of the lamp**, as shown.
- Ensure there are no air gaps on the sides of the lamp.
- Press the tape firmly & **apply even 15Lbs pressure on the sides of the tape**.

- Inspect the installation to verify the right installation, as shown in Fig. 52b.
- Repeat Steps a) to g) for the other lamp too

50) Switch connection.

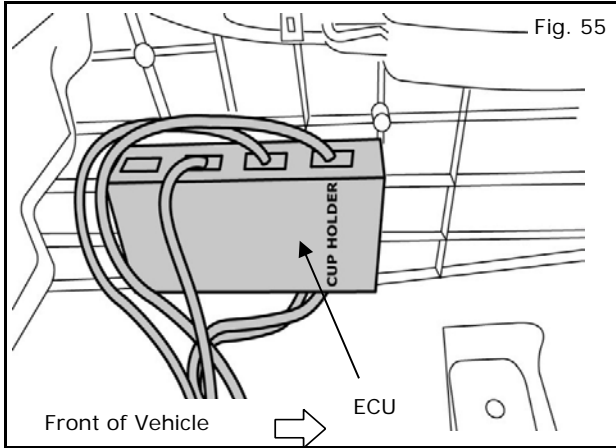
- Peel back tape off one side of large squares and attach in grid where module will be mounted.
- Route main harness to controller module.
- Plug main harness into 7 pin VEHICLE port.
- Press firmly, listen for "Click" and give a slight tug to check.
- Route switch harness to controller module.
- Plug switch harness into 4 pin OUT port.
- Press firmly, listen for "Click" and give a slight tug to check.
- Peel Release liners off tape on console

51) ECU connection port identification (Fig. 54).

- 5 pin OUT ports.
- Plug footwell lamps into any 5 pin OUT port.
- Plug cup holder lamps into OUT #1 port (marked for cupholders).
- Plug power harness into 7 pin VEHICLE (IN) port.
- Plug switch into 4 pin SWITCH (IN) port.

GENUINE PARTS

INSTALLATION PROCEDURE:

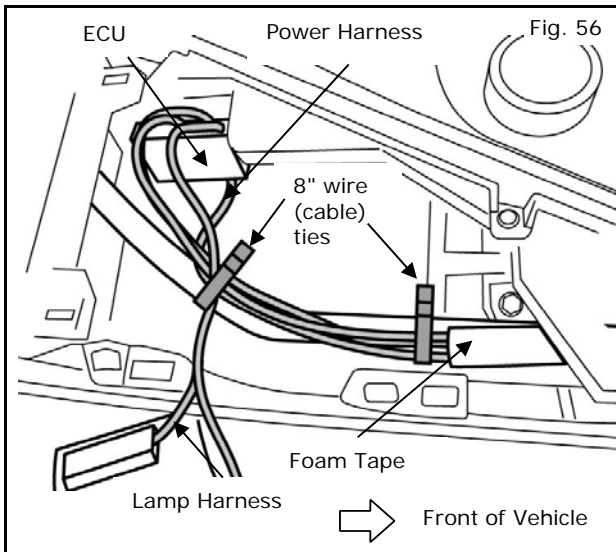


52) ECU Placement

- Peel Release liners off ECU tape. Position ECU on left of center console as shown in Fig. 55.
- Press tape sections together and **hold for 20 seconds with 15 Lbs pressure**.
- Bundle any excess cable and tie strap to console harness.

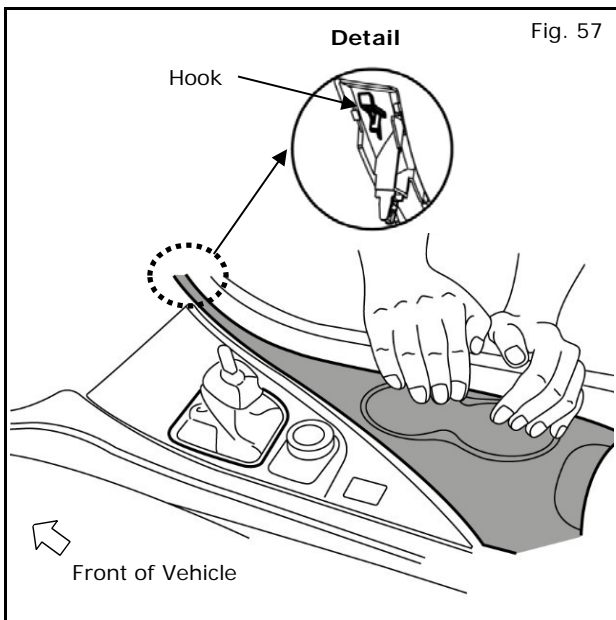
NOTE:

Be sure to connect cup holder light connector to the #1 connector on ECU (see marking on ECU).



53) Route and secure cup holder lamp harness.

- Cable tie harness to vehicle harness.
- Route harness towards rear of finisher, away from cup warming connector if available.
- Route harness along finisher harness and cable tie.
- Secure all lamp harnesses and power harness using 8" wire tie straps to center console. Trim off excess wire tie.
- Place 90mm Foam Tape along the length of the harness and wrap around as shown in Fig 56.



54) Reinstall Upper console finisher panel.

- Check connections on finisher panel harness
- Position center console upper finisher panel over console.
- Align clips and lower into position taking into consideration the front hook shown in Fig. 57
- Press down on finisher panel to engage clips.
- Reinstall center console side finisher RH. Use caution not to damage finisher hook during reinstallation. See "Detail A."

NOTE:

- **Conduct function check for ALL systems.**
- **Ensure Heater switch connectors are attached, if present.**
- **If necessary, take off the Center Console Side Finisher LH on the driver side to re-install upper console finisher panel.**

GENUINE PARTS

ACCESSORY CHECK:

- Connect the battery negative terminal and tighten the nut to 5.4 N-m (47.8 lb-in)
- Check all **Critical Installation Steps**.
- Verify all wiring is secure and not exposed.
- Trim all excess cable ties flush.
- Turn ignition switch to "**ACC**" position.
- Confirm accessory main features and functions. Confirm cup holder, bin and food well lamps illuminate. Diagnostic flow chart is available on the next page for troubleshooting. (For complex electrical accessory, a diagnostic flow chart is required.)
- Check all vehicle electrical systems that the accessory interfaces with.
 - Vehicle electrical system 1 (Must for pre-wiring, overlay harness, and Posi-Tap)
 - Vehicle electrical system 2 (Electrical system(s) where the accessory connects.)

RE-INSTALLATION OF REMOVED PARTS:

- Re-install all removed vehicle parts. Refer to the vehicle service manual as necessary.



CAUTION

- Use caution when re-installing interior components to avoid damage, scratches, or breaking of mounting clips. Refer to the vehicle service manual for more information.

FINAL INSPECTION:

- Verify re-installed trim parts for proper flush fit (no gap, no waviness, etc.).
- Verify all clips are fully engaged and locked.
- Verify re-installed trim parts are free from cracks, scratches or stress marks.
- Verify vehicle headliner, seat, steering wheel, center console, floor carpets, etc. are not soiled.
- Verify interior and exterior is not damaged.
- Turn ignition switch to "ON" and confirm proper operation of Vehicle Systems
 - If equipped, verify all window and sunroof one touch operation and perform the reset procedure if necessary. Refer to the vehicle service manual for more details.
 - Confirm proper audio function (AM, FM, SAT, CD and AUX).

GENUINE PARTS

FINAL INSPECTION

- Start engine and verify that there are no new Diagnostic Trouble Code. Turn ignition switch to "OFF".
- Place the Owner Manual, Quick Reference Guide, and/or other Manual in the glove box.
- If this vehicle will be returned to a dealer lot or showroom for an extended period of time, be sure the extended storage switch is placed in the "inventory" position. Refer to the Extended Storage Switch verbiage at the beginning of the 'INSTALLATION PROCEDURE' section.
- Re-program radio presets and other vehicle settings to the recorded settings. No need to do this step if the extended storage switch is placed in the "inventory" position.

GENUINE PARTS

CHECK OUT

- Shut all doors on the vehicle.
- Wait until all interior lamps go out.
- Turn on ACCESSORY.
- Verify that both Footwell Lights, Cupholder Lights, Bin Light and Switch light up and that switch changes light intensity.
- Check the trim for a proper, flush fit after re-installing the interior components.
- Clean the interior of the vehicle.
- Inspect the vehicle interior and exterior for damage.
- Check and clear trouble codes (DTC).
- If this vehicle will be returned to a dealer lot or showroom for an extended period of time, be sure the extended storage switch is placed in the "inventory" position. (Refer to Vehicle Preparation section).
- If vehicle is NOT going into storage, reset the radio presets to the recorded settings.

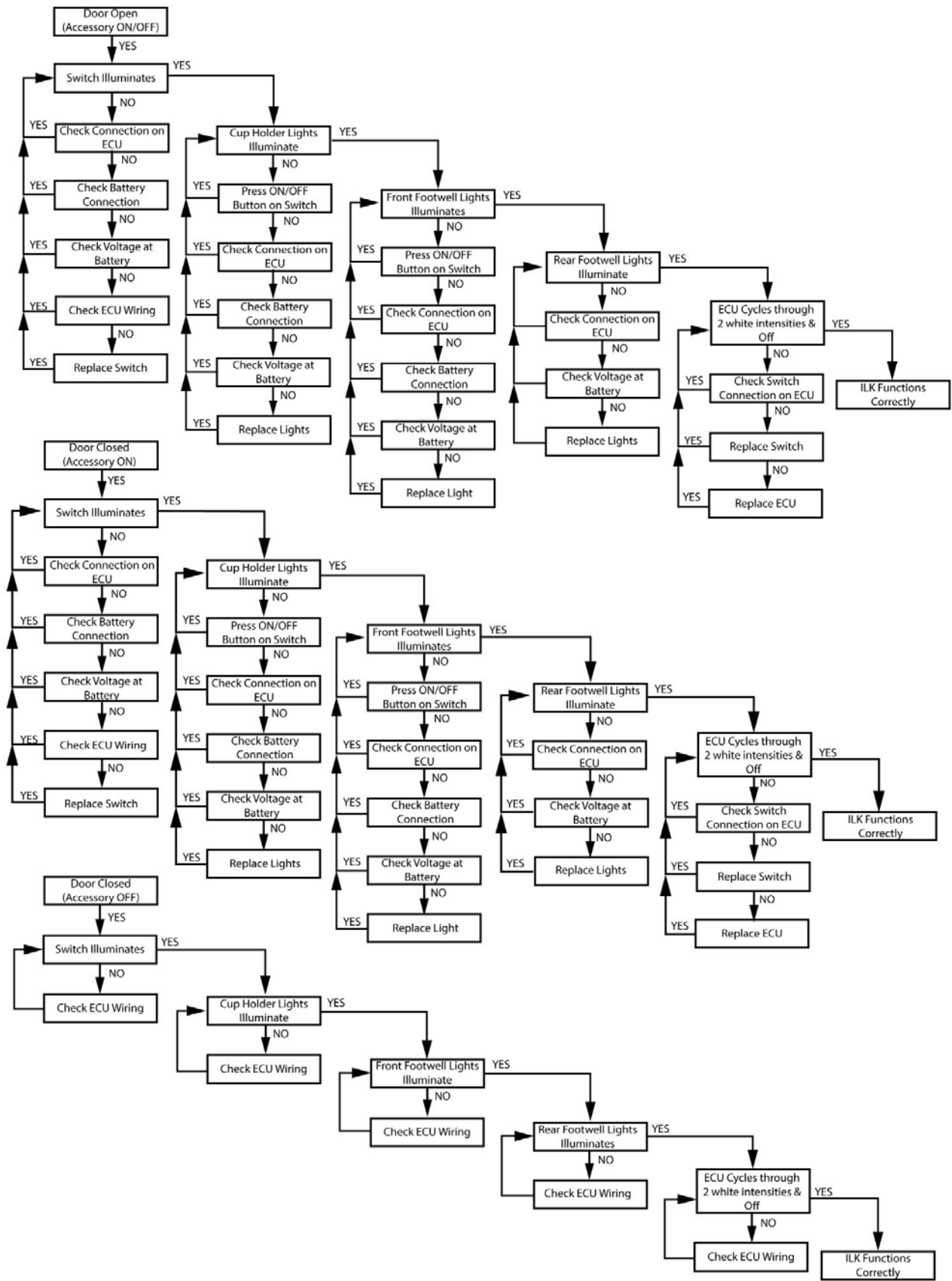
CAUTION

- **You must perform seat reprogram procedure when battery terminal is removed.**
- **Power walk-in function will not operate normally if seat reprogram is not performed.**
- **If problem occurs during installation, contact Nissan dealer where product was purchased.**

- Perform seat reprogram procedure, vehicle **should not** be running.
- Activate power walk-in function and let the seat be slid to the front edge.
- If the seat position is already at the front edge, slide the seat backward once and then active power walk-in function

NOTE:
When diagnosing electrical system problems, first disconnect the accessory connectors and note effect on system. Continue the investigation with the accessory connectors disconnected. Remember to reconnect the accessories when the investigation is complete.

Posi-Tap™ is protected by patent # 5,228,875 5,695,369 5,868,589 6,692,313 Jap 2881414 Aus 708700 Tia 103534 Can 2204826 Mex 200626 Korea 477279 China Z197105562.9 & others pending.



INSTALLATION INSTRUCTIONS - Interior Accent Lighting Kit

BILL OF MATERIALS

Infiniti Interior Accent Lighting Kit - T99F3 5CH0A

	Parts Contained in Bag Labelled 'Installation Kit'	Qty	Part Number
1	Interior Accent Lighting Kit	1	T99F3 5CH0A
2	Control Module	1	T98F3 5CH3A
3	Front Foot well Lights and Harness Assembly - LED Light Engines with Light Pipes	1	T98F3 5CH0D
4	Rear Foot well Lights and Harness Assembly- LED Light Engines with Light Pipes	1	T98F3 5CH0E
5	Cup Holder Lights and Harness Assembly	1	998F3 U4506
6	2-Button Brightness Selector Switch and Harness	1	T98F3 5CH0B
7	T-Harness rear footwall	1	T98F3 5CH3B
8	Vehicle Interface Harness (Power Harness)	1	T98F3 5CH3D
9	Hardware Kit	1	T98F3 5CH0F
10	Foam Tape, 60X90MM Polyurethane	8	
11	Wire tie, 8 in. Nylon 6,6, Blk (203 X 4.75 X 1.27 mm)	30	
12	Wire Tie, 30 in. Nylon 6,6, White (762 X 8.8 X 1.95 mm)	1	
13	3M Beta Tape 5073, 48 X 89MM Polyurathane	2	
14	Alcohol Wipes	3	
15	Posi Taps	4	999M1 VT000
16	M5 X16 Screws, Torx T20	6	01454 0015U
17	3M Thick Foam, Self Adhesive, 23mm Square	4	
18	Secondary Black Foam Tape (18 x 75 x 1.6 mm)	2	
19	Push Pins	4	
20	Rear Foot well Fixing Plate	2	T98F3 5CH3C
21	Customer (Owners) Quick Reference Guide	1	150-257
22	II Replacement Template/Parts List Card	1	999V2 AW000

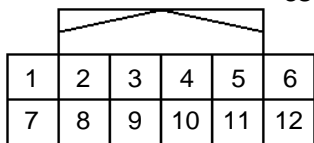
ACCY_SER_CONN

ACCENT LIGHTING KIT

PASSENGER SIDE CONNECTOR

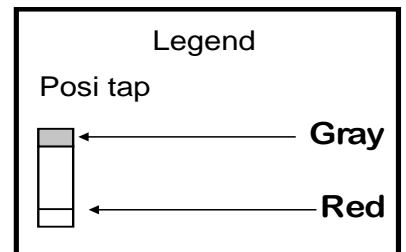
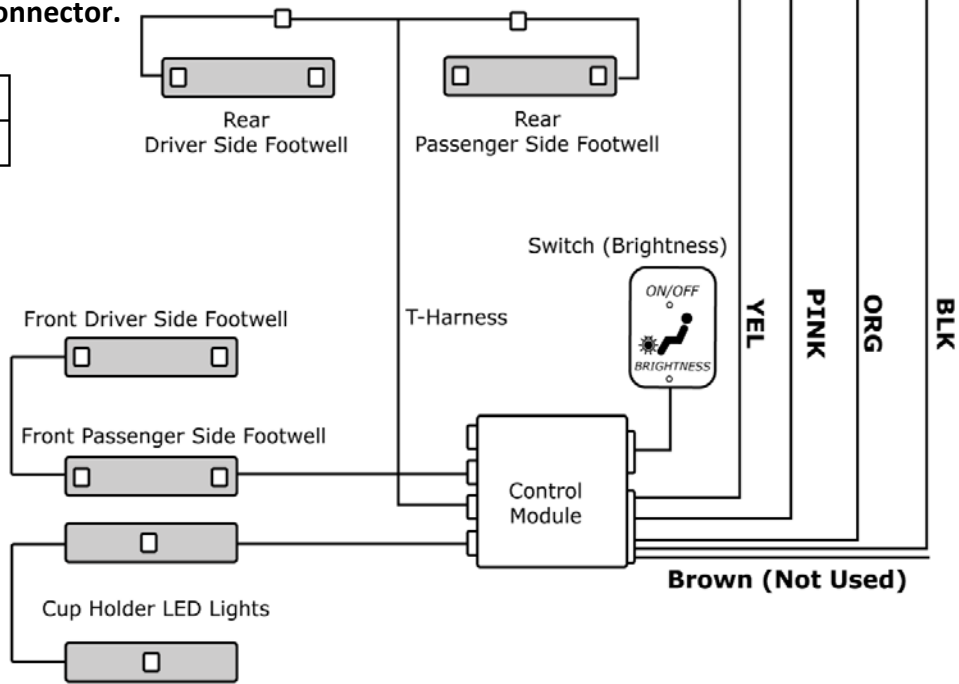
IGN	1	WHT
BAT	2	RED
TAIL_LAMP	3	PURP
ROOM_LAMP	4	YEL
BAT_SAVER	5	PNK
FR_DOOR_SW_RH	6	DRK GRN
FR_DOOR_SW_LH	7	LT_GRN
THRU_SIGNAL_1	8	GRY
RR_DOOR_RH	9	BLU
RR_DOOR_LH	10	LT_BLU
ACC	11	ORG
GND	12	BLK

TH12FW-NH



Note:

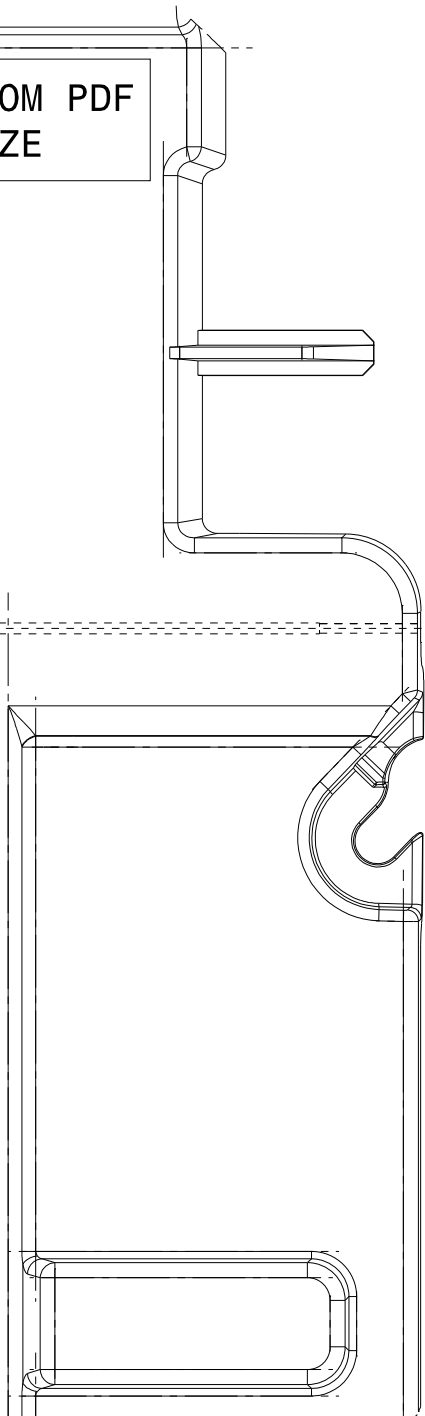
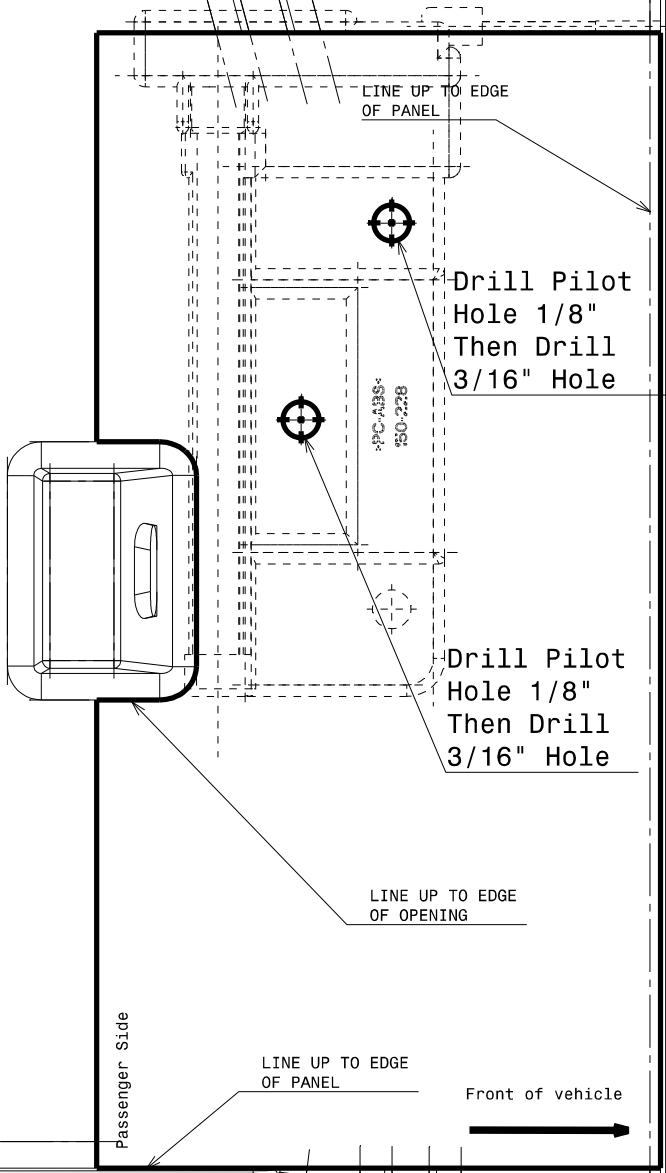
Pin location is referenced looking into wire side of connector.



PASSENGER FOOTWELL LAMP
HOLE LOCATION TEMPLATE

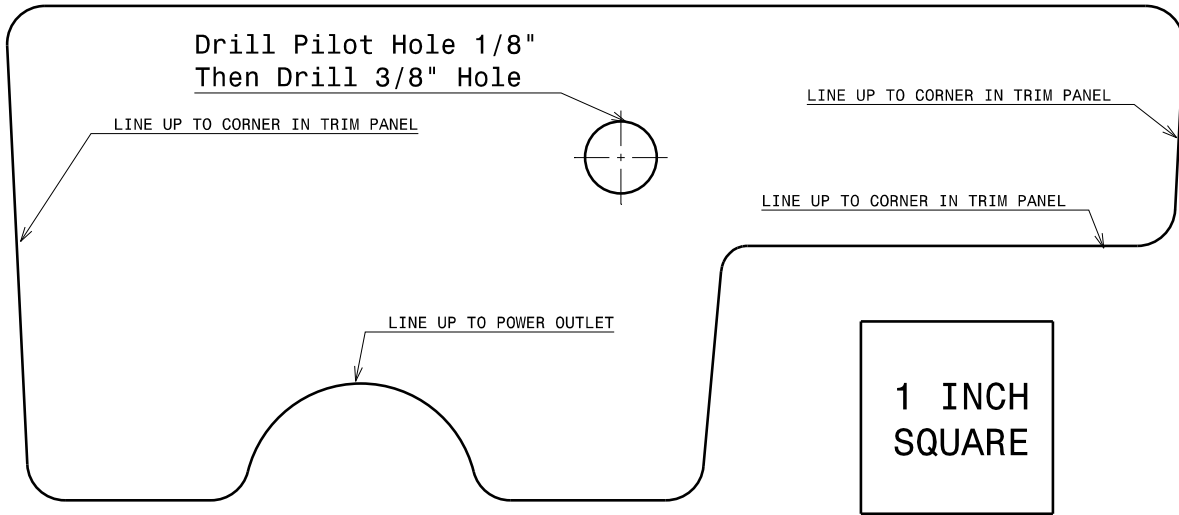
WHEN PRINTING FROM PDF
SELECT ACTUAL SIZE

1in.
SQUARE



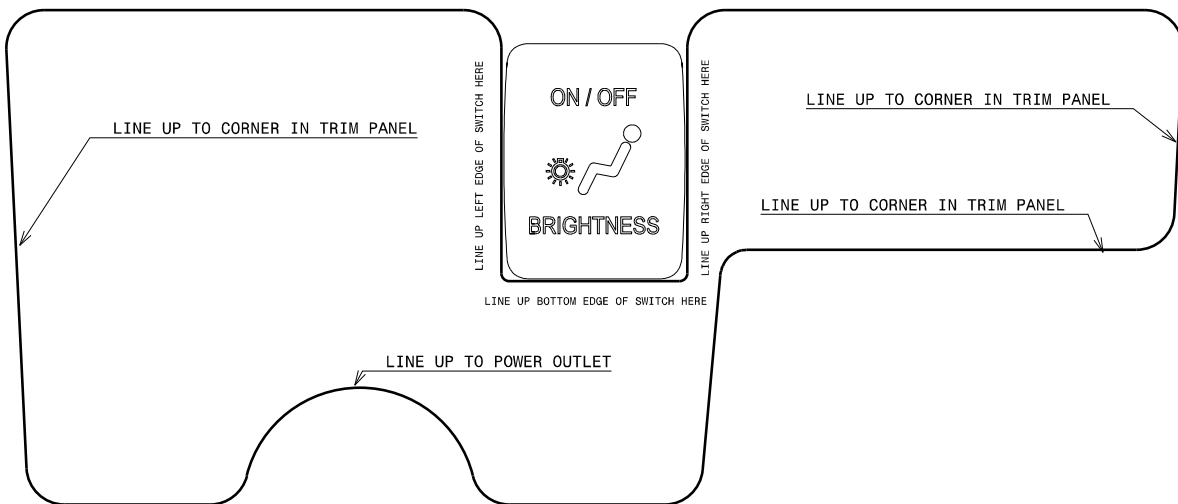
SWITCH INSTALLATION TEMPLATES

1. CUT OUT SOLID LINES FOR DRILLING TEMPLATE, LINE UP TEMPLATE AS SHOWN AND DRILL HOLE WHERE MARKED



WHEN PRINTING FROM PDF
SELECT "ACTUAL SIZE"

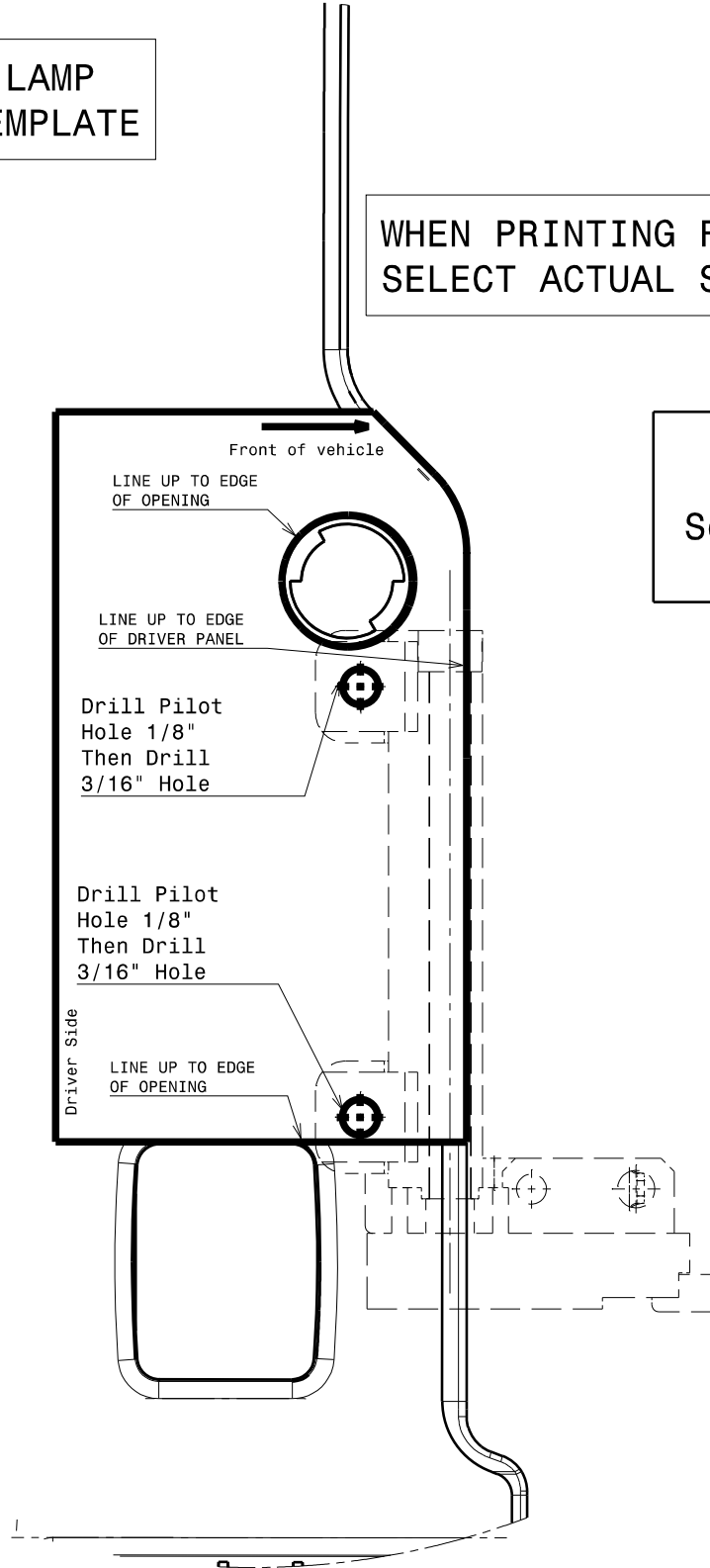
2. CUT OUT SOLID LINES FOR ALIGNEMENT, LINE UP TEMPLATE AS SHOWN, REMOVE ADHESIVE BACKING FROM SWITCH, PLACE SWITCH AS SHOWN USING THE BOTTOM, LEFT AND RIGHT EDGES AND GUIDES.



TEMPLATE A

DRIVER FOOTWELL LAMP
HOLE LOCATION TEMPLATE

WHEN PRINTING FROM PDF
SELECT ACTUAL SIZE



1in.
Square

Front of vehicle

LINE UP TO EDGE
OF OPENING

LINE UP TO EDGE
OF DRIVER PANEL

Drill Pilot
Hole 1/8"
Then Drill
3/16" Hole

Drill Pilot
Hole 1/8"
Then Drill
3/16" Hole

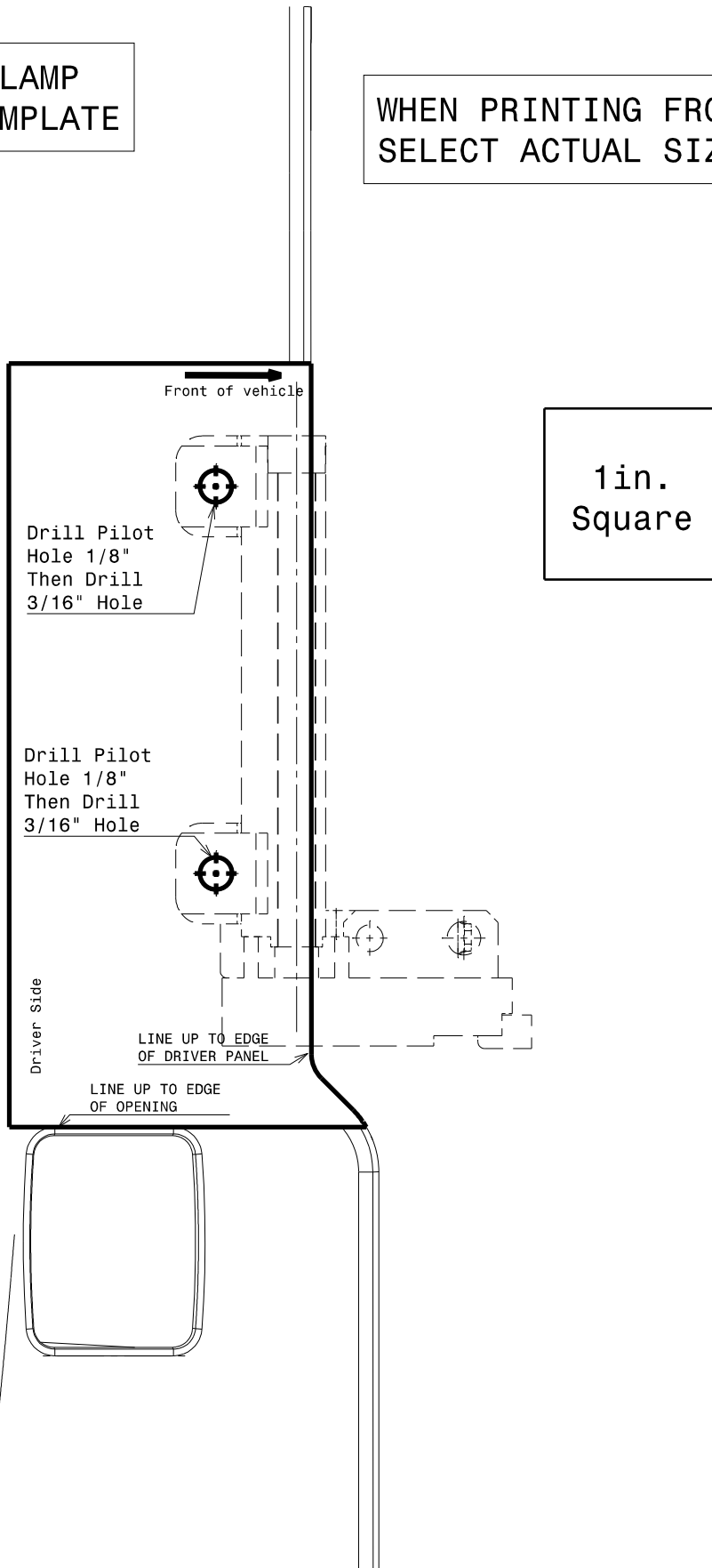
Driver Side

LINE UP TO EDGE
OF OPENING

TEMPLATE B

DRIVER FOOTWELL LAMP
HOLE LOCATION TEMPLATE

WHEN PRINTING FROM PDF
SELECT ACTUAL SIZE



CUP HOLDER LAMP
LOCATION HOLE TEMPLATE

1in.
SQUARE

WHEN PRINTING FROM PDF
SELECT ACTUAL SIZE

